

213289-2 ✓ ACTIVE

NECTOR | NECTOR M Series

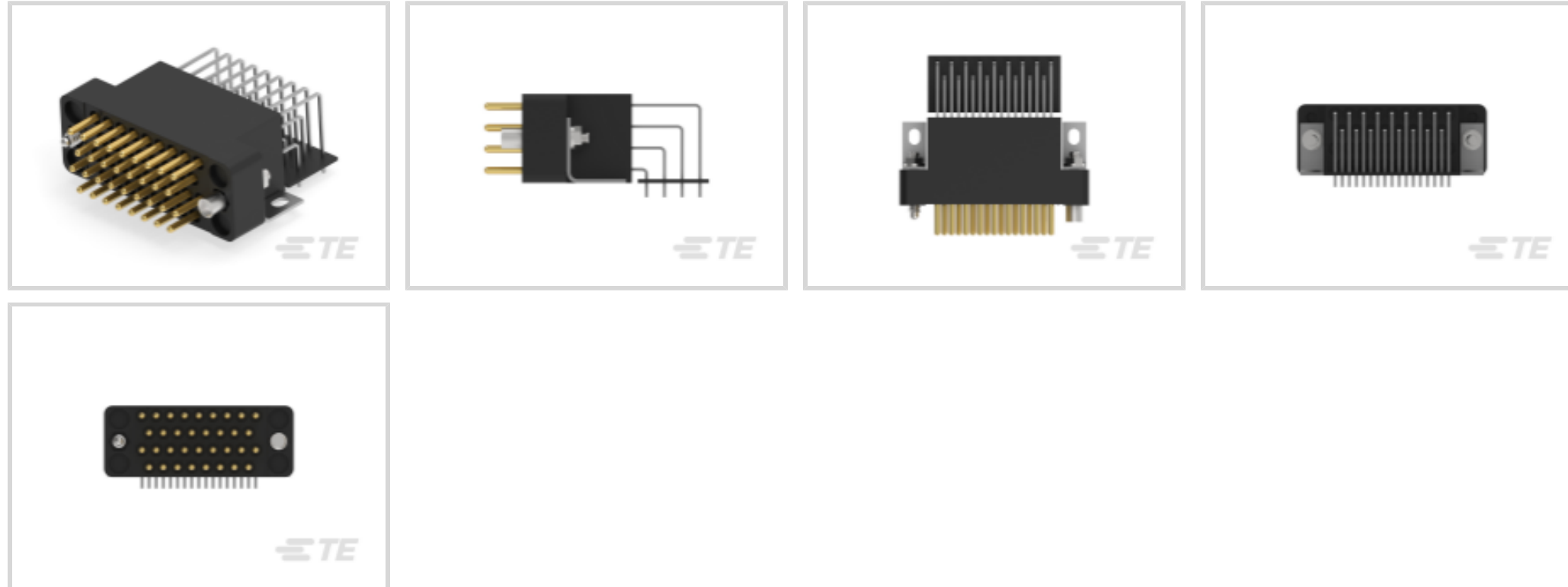
TE Internal #: 213289-2

Rectangular Power Connectors, Connector Assembly, Plug, Cable-to-Board, 34 Position, 3.81 mm [.15 in] Centerline, NECTOR M Series

[View on TE.com >](#)



Connectors > Power Connectors > Rectangular Power > Rectangular Power Connectors



Rectangular Power Connector Type: **Connector Assembly**

Connector & Housing Type: **Plug**

Connector System: **Cable-to-Board**

Number of Positions: **34**

Centerline (Pitch): **3.81 mm [.15 in]**

## Features

### Product Type Features

Header Type	Unshrouded
Rectangular Power Connector Type	Connector Assembly
Connector & Housing Type	Plug
Connector System	Cable-to-Board
Sealable	No
Connector & Contact Terminates To	Printed Circuit Board

### Configuration Features

Number of Positions	34
PCB Mount Orientation	Right Angle
Number of Power Positions	34
Number of Signal Positions	34
Number of Rows	4

### Electrical Characteristics

Operating Voltage	250 VDC
-------------------	---------



### Contact Features

Contact Mating Area Plating Material	Gold
Contact Current Rating (Max)	13 A
Contact Retention Within Housing	With
Contact Type	Pin
PCB Contact Termination Area Plating Material	Tin
Contact Mating Area Plating Material Thickness	.76 $\mu$ m [.3 $\mu$ in]

### Termination Features

Termination Post & Tail Length	3.04 mm [.12 in]
Termination Method to Wire & Cable	Solder
Termination Method to Printed Circuit Board	Through Hole - Solder

### Mechanical Attachment

Strain Relief	Without
Mating Alignment Type	Guide Hole
Mating Retention	With
Mating Alignment	With
Contact Retention Type Within Housing	Locking Spring
Panel Mount Feature	Without
PCB Mount Retention	With
PCB Mount Retention Type	Mounting Bracket
Mating Retention Type	Jackscrew
Connector Mounting Type	Board Mount

### Housing Features

Centerline (Pitch)	3.81 mm [.15 in]
Housing Color	Black
Housing Material	Phenolic - GF

### Dimensions

Connector Height	19.05 mm [.75 in]
Product Width	23.24 mm [.915 in]
Product Length	50.8 mm [2 in]
Row-to-Row Spacing	4.57 mm [.18 in]

### Usage Conditions



Operating Temperature Range	-55 – 150 °C[-67 – 302 °F]
-----------------------------	----------------------------

### Operation/Application

Shielded	No
Circuit Application	Power & Signal

### Industry Standards

UL Flammability Rating	UL 94V-0
Glow Wire Rating	Standard Part - Not Glow Wire

### Packaging Features

Packaging Quantity	12
Packaging Method	Box & Tray, Tray

### Product Compliance

[For compliance documentation, visit the product page on TE.com>](#)

EU RoHS Directive 2011/65/EU	Compliant
EU ELV Directive 2000/53/EC	Compliant
China RoHS 2 Directive MIIT Order No 32, 2016	No Restricted Materials Above Threshold
EU REACH Regulation (EC) No. 1907/2006	Current ECHA Candidate List: JUNE 2023 (235) Candidate List Declared Against: JUL 2021 (219) Does not contain REACH SVHC
Halogen Content	Low Halogen - Br, Cl, F, I < 900 ppm per homogenous material. Also BFR/CFR/PVC Free
Solder Process Capability	Wave solder capable to 265°C

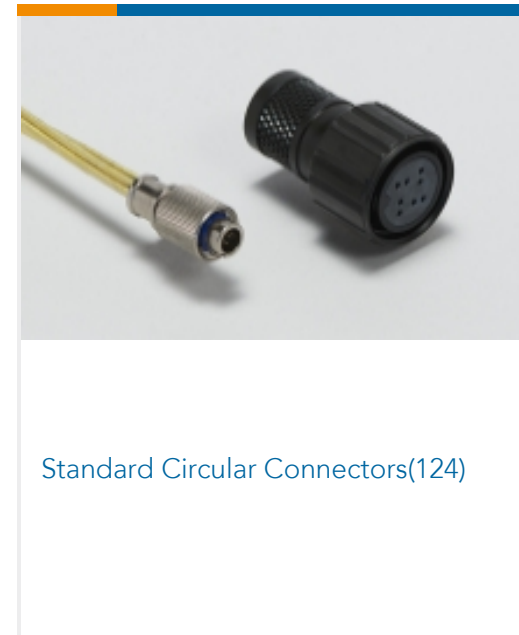
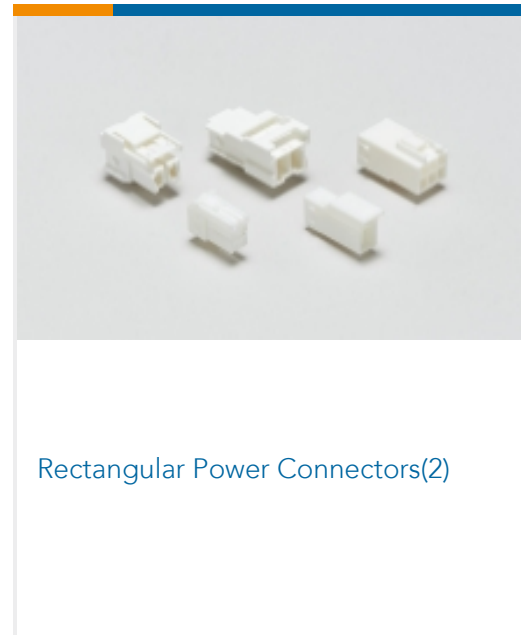
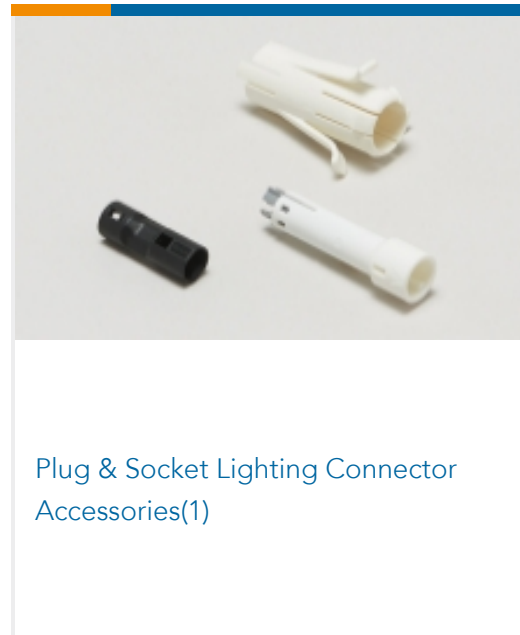
#### Product Compliance Disclaimer

This information is provided based on reasonable inquiry of our suppliers and represents our current actual knowledge based on the information they provided. This information is subject to change. The part numbers that TE has identified as EU RoHS compliant have a maximum concentration of 0.1% by weight in homogenous materials for lead, hexavalent chromium, mercury, PBB, PBDE, DBP, BBP, DEHP, DIBP, and 0.01% for cadmium, or qualify for an exemption to these limits as defined in the Annexes of Directive 2011/65/EU (RoHS2). Finished electrical and electronic equipment products will be CE marked as required by Directive 2011/65/EU. Components may not be CE marked. Additionally, the part numbers that TE has identified as EU ELV compliant have a maximum concentration of 0.1% by weight in homogenous materials for lead, hexavalent chromium, and mercury, and 0.01% for cadmium, or qualify for an exemption to these limits as defined in the Annexes of Directive 2000/53/EC (ELV). Regarding the REACH Regulation, the information TE provides on SVHC in articles for this part number is based on the latest European Chemicals Agency (ECHA) 'Guidance on requirements for substances in articles' posted at this URL: <https://echa.europa.eu/guidance-documents/guidance-on-reach>

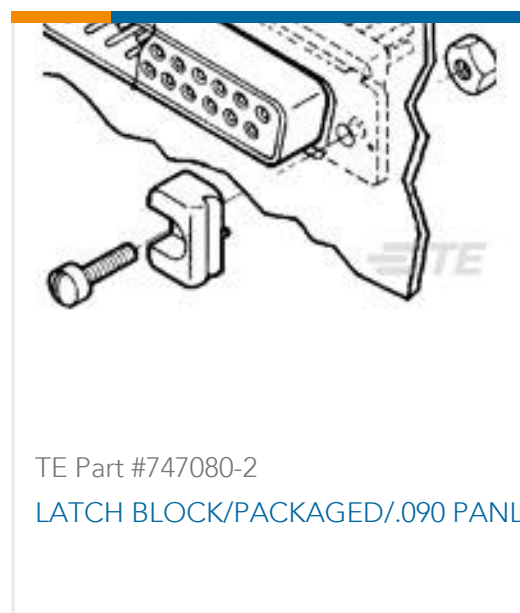
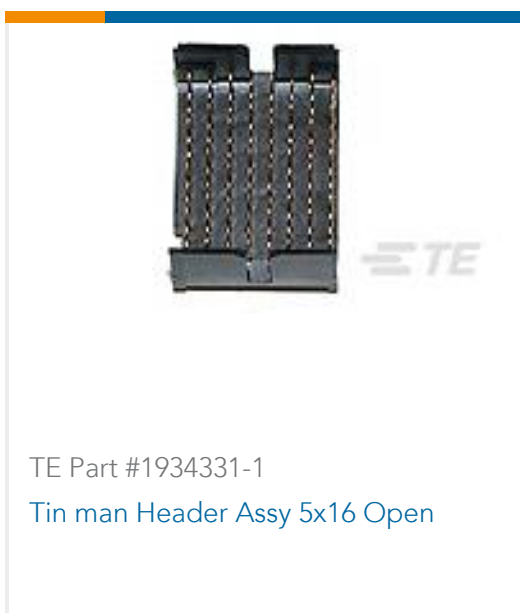
### Compatible Parts



Also in the Series | **NECTOR M Series**



Customers Also Bought





## Documents

### Product Drawings

[V.35,PIN ASY,RA,34P,W/BRKT LF](#)

English

---

### CAD Files

Customer View Model

[ENG\\_CVM\\_CVM\\_213289-2\\_R.3d\\_stp.zip](#)

English

Customer View Model

[ENG\\_CVM\\_CVM\\_213289-2\\_R.2d\\_dxf.zip](#)

English

Customer View Model

[ENG\\_CVM\\_CVM\\_213289-2\\_R.3d\\_igs.zip](#)

English

[3D PDF](#)

3D

By downloading the CAD file I accept and agree to the [Terms and Conditions](#) of use.

---

### Datasheets & Catalog Pages

[M\\_SERIES\\_PIN\\_AND\\_SOCKET\\_CONNECTORS](#)

English

---

### Product Specifications

[Connector, Series "M"](#)

English

[Product Specification](#)

English