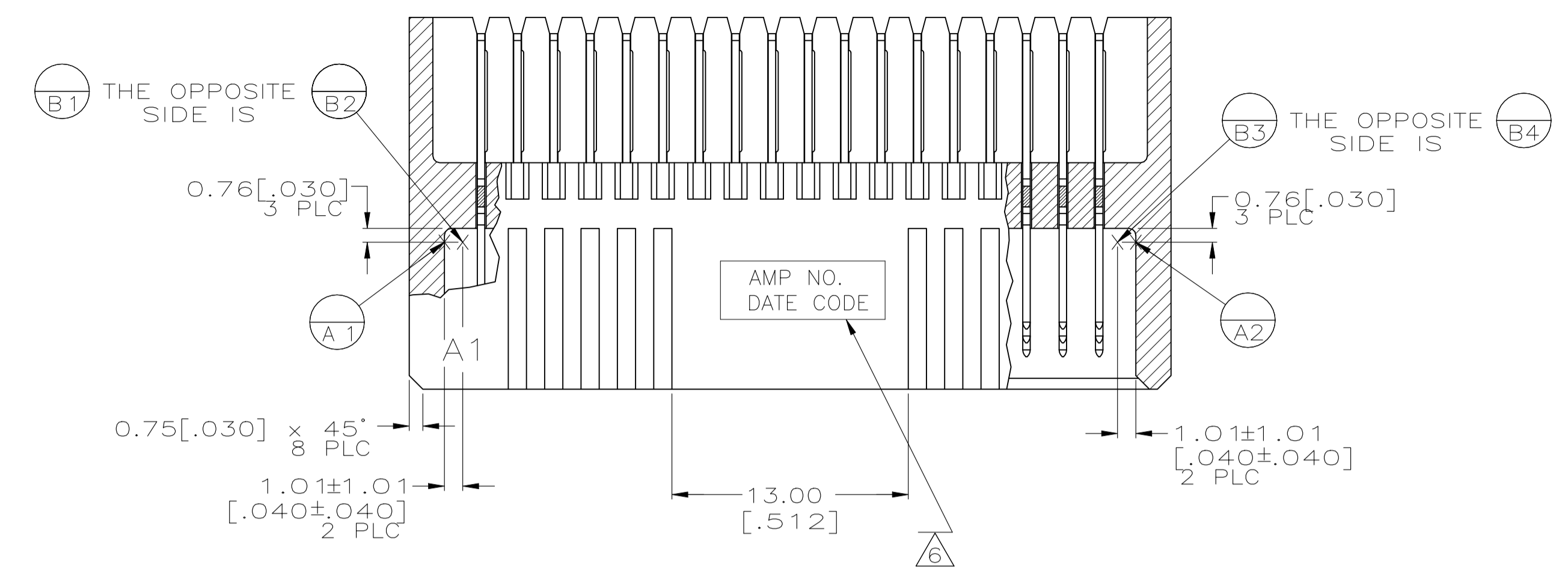
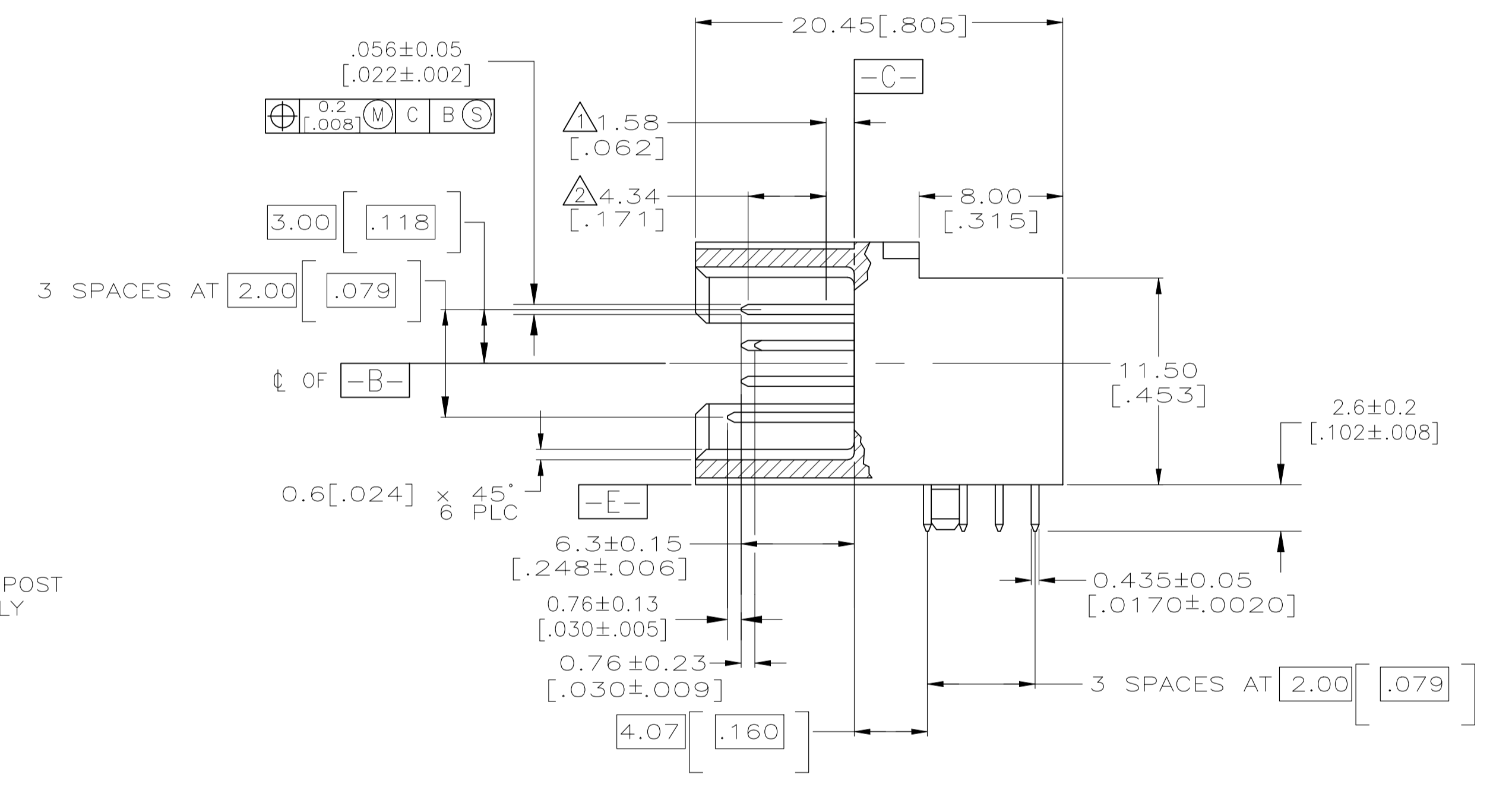
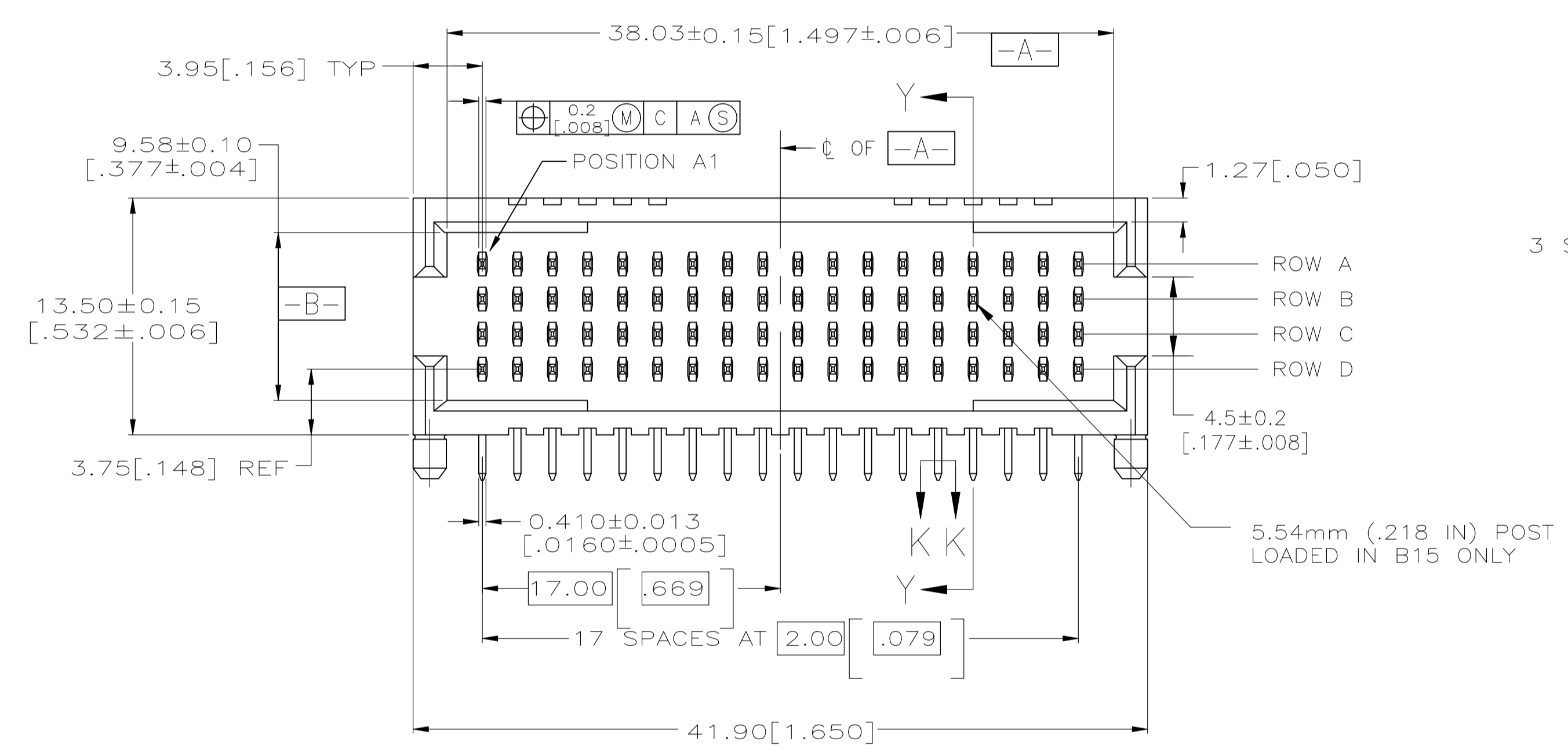


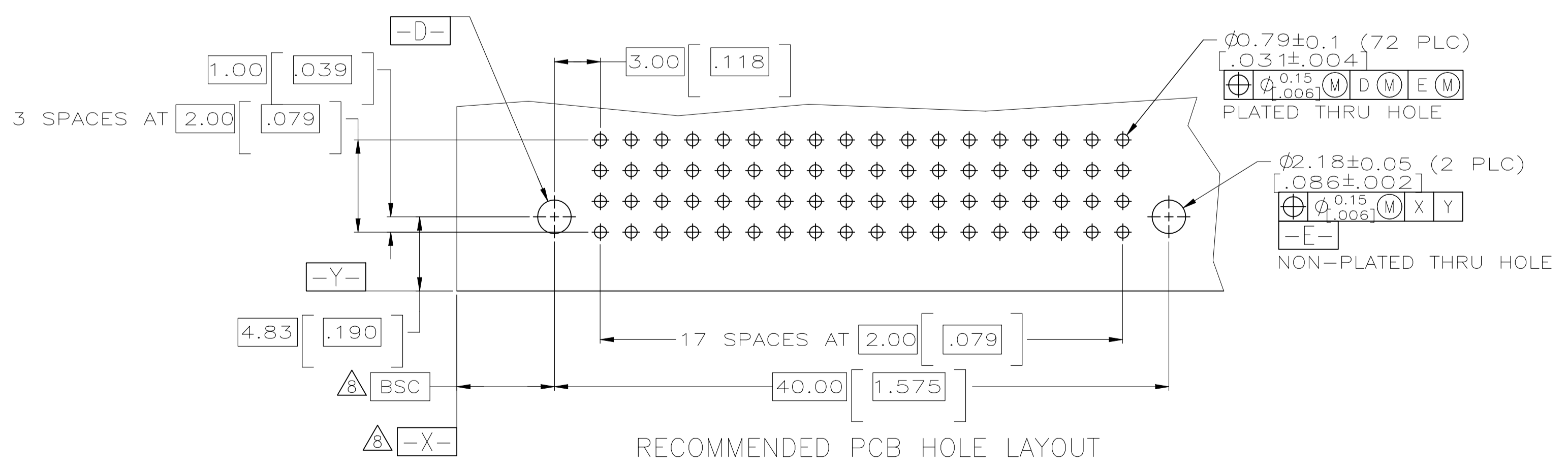
REVISIONS				
P	LTR	DESCRIPTION	DATE	APP'D
H1		CAVITY REMOVED FROM BOARDLOCK_PCN-21-114231	22OCT2021	SS PK



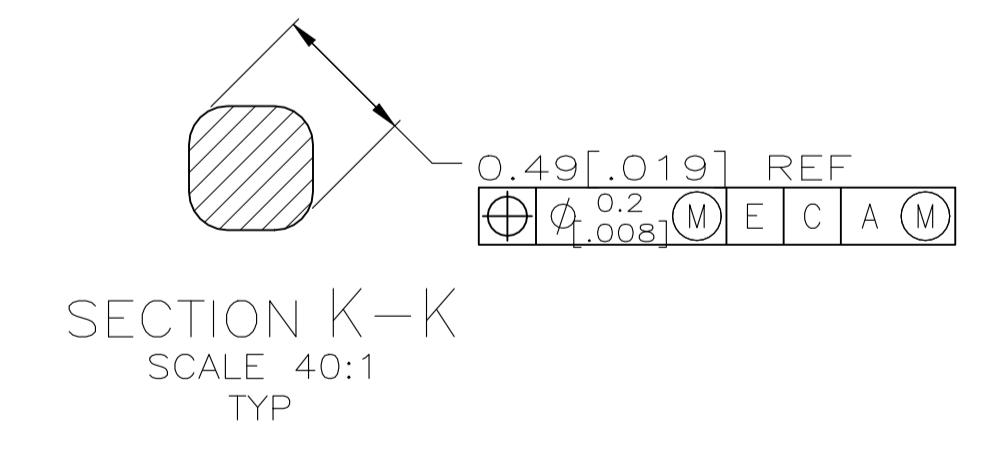
- △ DISTANCE TO INTERFACE; REFERENCE ONLY.
- △ NOMINAL WIPE EXCLUDING POST TIP; REFERENCE ONLY.
- △ HOUSING MATERIAL: LIQUID CRYSTAL POLYMER. COLOR: BLACK.
- △ CONTACT MATERIAL: PHOSPHOR BRONZE.
- △ CONTACT FINISH: 0.00076[0.000030] MINIMUM GOLD OVER 0.00127[0.000050] MINIMUM NICKEL IN CONTACT AREA. 0.00381[0.000151] MINIMUM TIN ON SOLDER TAILS.
- △ MARKED WITH TE PART NUMBER & DATE CODE IN APPROXIMATE AREA SHOWN.



SECTION Y-Y



RECOMMENDED PCB HOLE LAYOUT



SECTION K-K
SCALE 40:1
TYP

POSITIONS LOADED WITH 5.54 [0.218] POST	POSITIONS LOADED WITH 6.30 [0.248] POST	POSITIONS LOADED WITH 7.06 [0.278] POST	ROWS	NO. OF LOADED POSITIONS	PART NUMBER
NONE	NONE	1-18	D	18	148510-1
NONE	1-18	NONE	C	18	
15	1-14, 16-18	NONE	B	18	
NONE	1-18	NONE	A	18	

THIS DRAWING IS A CONTROLLED DOCUMENT.		DIN T. SHUEY 10-5-98		TE Connectivity	
DIMENSIONS: mm		CHK R. PATTERSON 10-7-98			
TOLERANCES UNLESS OTHERWISE SPECIFIED:		NAME R. PATTERSON 10-7-98		Z-PACK, 2mm RS, R/A PIN HEADER ASSEMBLY, SEQUENCED MATING POSTS	
0 PLC ± -	1 PLC ± -	2 PLC ± 0.13 [0.005]	3 PLC ± -	4 PLC ± -	ANGLES ± -
MATERIAL		FINISH		APPLICATION SPEC	
WEIGHT		SIZE		CUSTOMER DRAWING	
SCALE 4:1		SHEET 1 of 1		REV H1	