

5535070-4 ✓ ACTIVE

EUROCARD

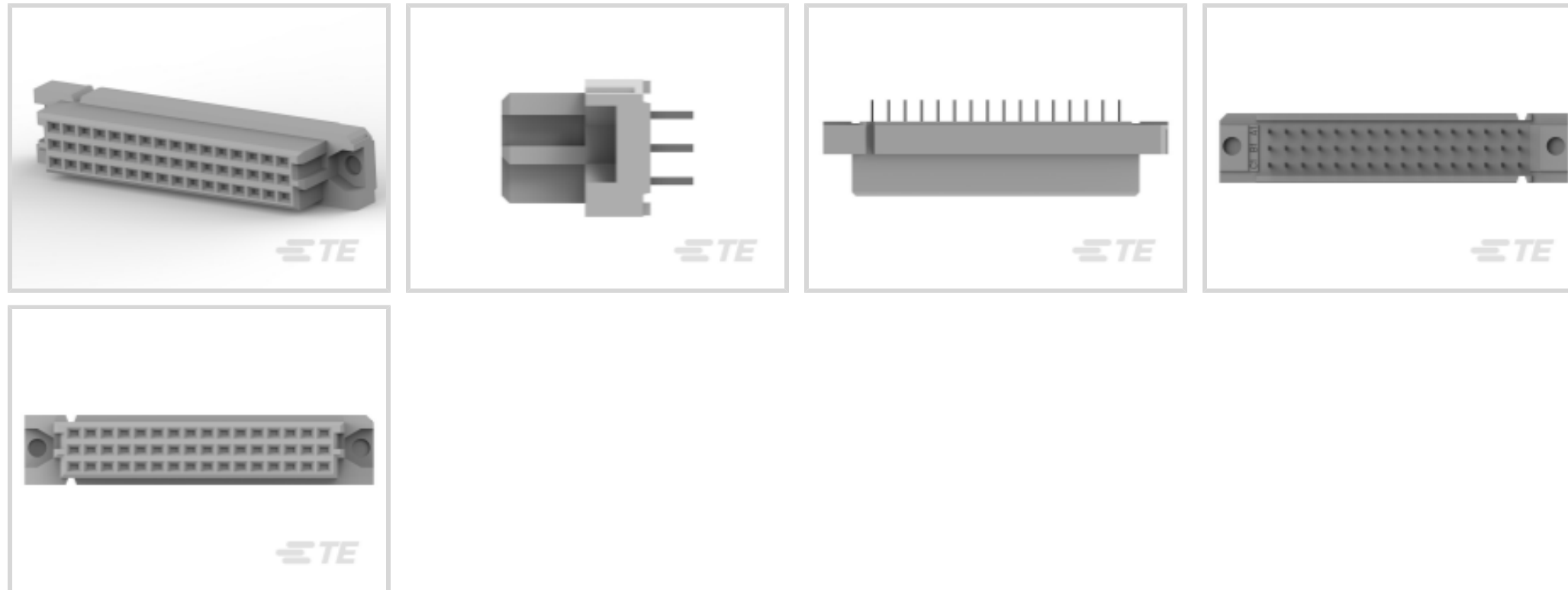
TE Internal #: 5535070-4

Eurocard Connectors, Receptacle, Board-to-Board, 48 Position, .1 in [2.54 mm] Centerline, Printed Circuit Board, 3 Row, Vertical, 16 Column

[View on TE.com >](#)



Connectors > PCB Connectors > Backplane Connectors > Eurocard Connectors



Connector & Housing Type: **Receptacle**

Connector System: **Board-to-Board**

Termination Post & Tail Length: **3.3 mm [.13 in]**

Number of Positions: **48**

Centerline (Pitch): **2.54 mm [.1 in]**

Features

Product Type Features

Connector & Housing Type	Receptacle
Connector System	Board-to-Board
Connector & Contact Terminates To	Printed Circuit Board
DIN Size	Half
DIN Level	II

Configuration Features

Number of Positions	48
Number of Rows	3
PCB Mount Orientation	Vertical
Number of Columns	16
Number of Signal Positions	48
Rows Loaded	A, B, C

Termination Features

Termination Post & Tail Length	3.3 mm[.13 in]
--------------------------------	----------------



Mechanical Attachment

Connector Mounting Type	Board Mount
-------------------------	-------------

Housing Features

Centerline (Pitch)	2.54 mm[.1 in]
--------------------	----------------

Dimensions

Row-to-Row Spacing	2.54 mm[.1 in]
--------------------	----------------

Usage Conditions

Operating Temperature Range	-55 – 105 °C[-67 – 221 °F]
-----------------------------	----------------------------

Operation/Application

Circuit Application	Signal
---------------------	--------

Product Compliance

[For compliance documentation, visit the product page on TE.com>](#)

EU RoHS Directive 2011/65/EU	Compliant
EU ELV Directive 2000/53/EC	Compliant
China RoHS 2 Directive MIIT Order No 32, 2016	No Restricted Materials Above Threshold
EU REACH Regulation (EC) No. 1907/2006	Current ECHA Candidate List: JUNE 2023 (235) Candidate List Declared Against: JUNE 2023 (235) Does not contain REACH SVHC
Halogen Content	Not Low Halogen - contains Br or Cl > 900 ppm.
Solder Process Capability	Wave solder capable to 265°C

Product Compliance Disclaimer

This information is provided based on reasonable inquiry of our suppliers and represents our current actual knowledge based on the information they provided. This information is subject to change. The part numbers that TE has identified as EU RoHS compliant have a maximum concentration of 0.1% by weight in homogenous materials for lead, hexavalent chromium, mercury, PBB, PBDE, DBP, BBP, DEHP, DIBP, and 0.01% for cadmium, or qualify for an exemption to these limits as defined in the Annexes of Directive 2011/65/EU (RoHS2). Finished electrical and electronic equipment products will be CE marked as required by Directive 2011/65/EU. Components may not be CE marked. Additionally, the part numbers that TE has identified as EU ELV compliant have a maximum concentration of 0.1% by weight in homogenous materials for lead, hexavalent chromium, and mercury, and 0.01% for cadmium, or qualify for an exemption to these limits as defined in the Annexes of Directive 2000/53/EC (ELV). Regarding the REACH Regulation, the information TE provides on SVHC in articles for this part number is based on the latest European Chemicals Agency (ECHA) 'Guidance on requirements for substances in articles' posted at this URL: <https://echa.europa.eu/guidance-documents/guidance-on-reach>

Compatible Parts




TE Part # 5650479-5
ASSY,PIN,EUROCARD,TYPE R/2,LEAD-FREE,48



TE Part # 5535070-5
ASSY,RECEPTACLE,EUROCARD,TYPE



TE Part # 8-1393644-0
V42254B1200C480=PC612 MESSERLE



TE Part # 5650916-5
ASSY,PIN,EUROCARD,TYPE C/2,LEA



TE Part # 5650478-5
ASSY,PIN,EUROCARD,TYPE C/2,LEA



TE Part # 5148020-5
ASSY,PIN,EURO,"C/2",L-FREE,48



TE Part # 5536397-5
ASSY,RECEPT,EURO,TYPE C/2,LEAD



TE Part # 148020-5
048 EURO TYPE C PIN BL ASSY



TE Part # 5650948-5
ASSY,PIN,EUROCARD,TYPE C/2,LEA



TE Part # 650478-5
048 EURO TYPE C PIN ST ASSY



TE Part # 650916-5
048 EURO TYPE C PIN BL ASSY



TE Part # 650948-5
048 EURO TYPE C PIN ST ASSY



TE Part # 536407-5
048 EURO TYPE C PIN BL ASSY



TE Part # 5536407-5
ASSY,PIN,EUROCARD,TYPE C/2,LEAD-FREE,48



TE Part # 7-1393644-4
V42254B1200C410=PC612 MESSERLE



TE Part # 1393644-9
V42254B1100C480=PC612 MESSERLE

Customers Also Bought



TE Part #5748027-1
25 PLUG SP/FMS (IN,SL)



TE Part #1-5499786-1
A/L UNIV HDR 60P RA LG LAT



TE Part #5650479-5
ASSY,PIN,EUROCARD,TYPE R/2,LEAD-FREE,48



TE Part #3-1761606-1
IDC LOW PRO HDR 34P VERT LG LA



Documents

Product Drawings

[ASSY,RECEPTACLE,EUROCARD,TYPE](#)

English

CAD Files

Customer View Model

[ENG_CVM_CVM_5535070-4_O.2d_dxf.zip](#)

English

[3D PDF](#)

3D

Customer View Model

[ENG_CVM_CVM_5535070-4_O.3d_igs.zip](#)

English

Customer View Model

[ENG_CVM_CVM_5535070-4_O.3d_stp.zip](#)

English

By downloading the CAD file I accept and agree to the [Terms and Conditions](#) of use.

Product Specifications

[Application Specification](#)

English