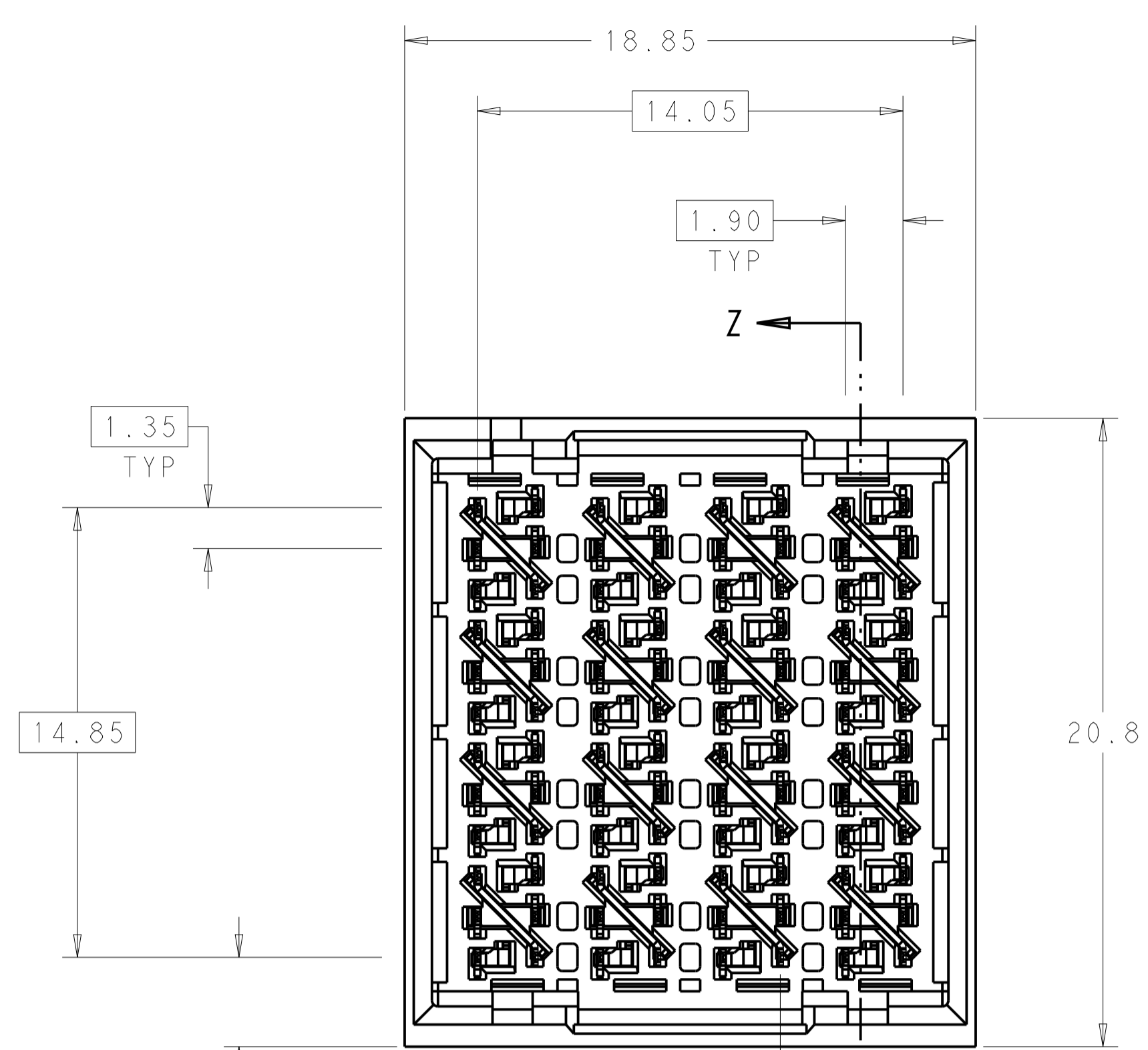
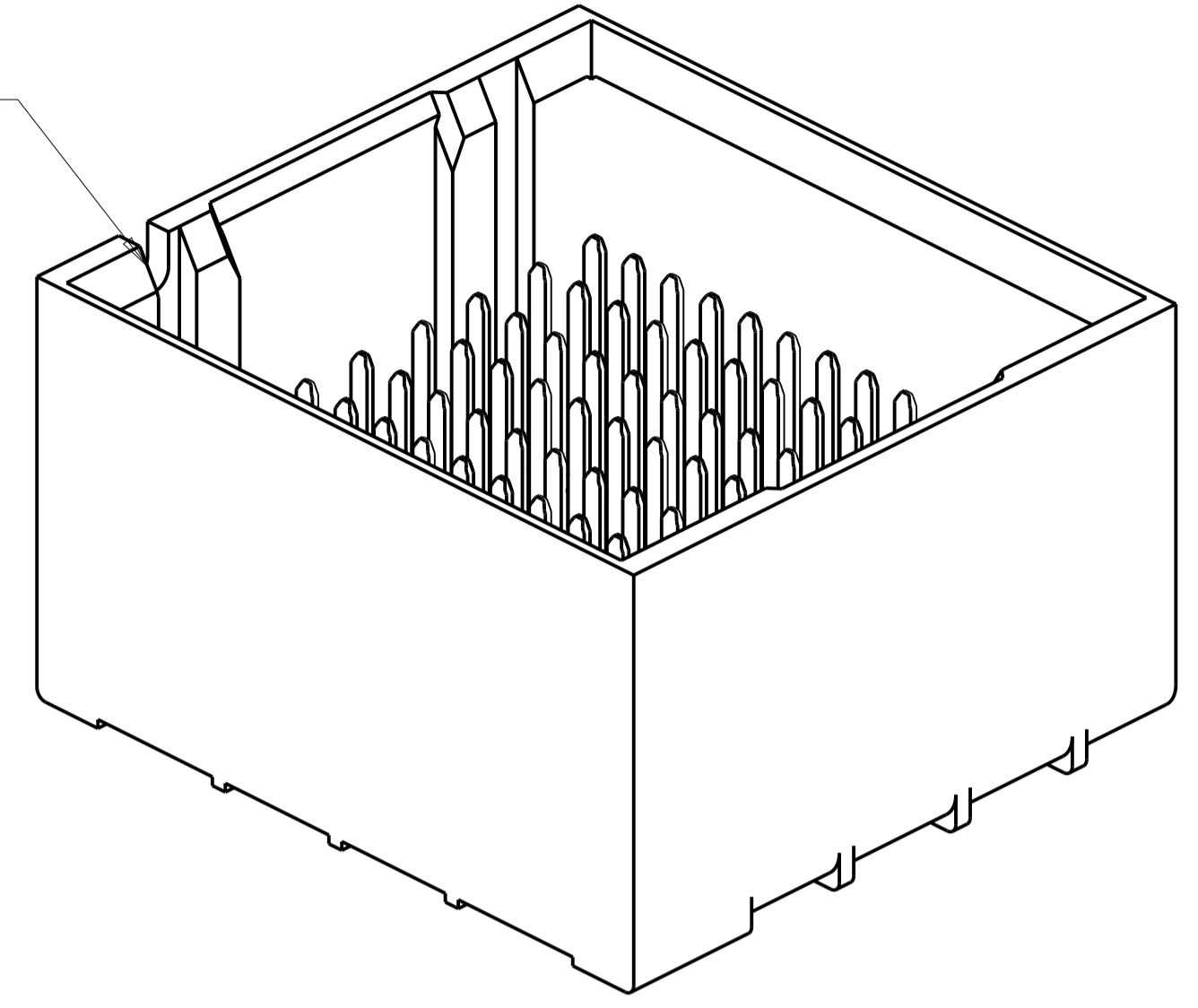


REVISIONS				
P.	LTN.	DESCRIPTION	DATE	APVD.
B		REVISED PER ECO-14-013271	08SEP2014	AP DD

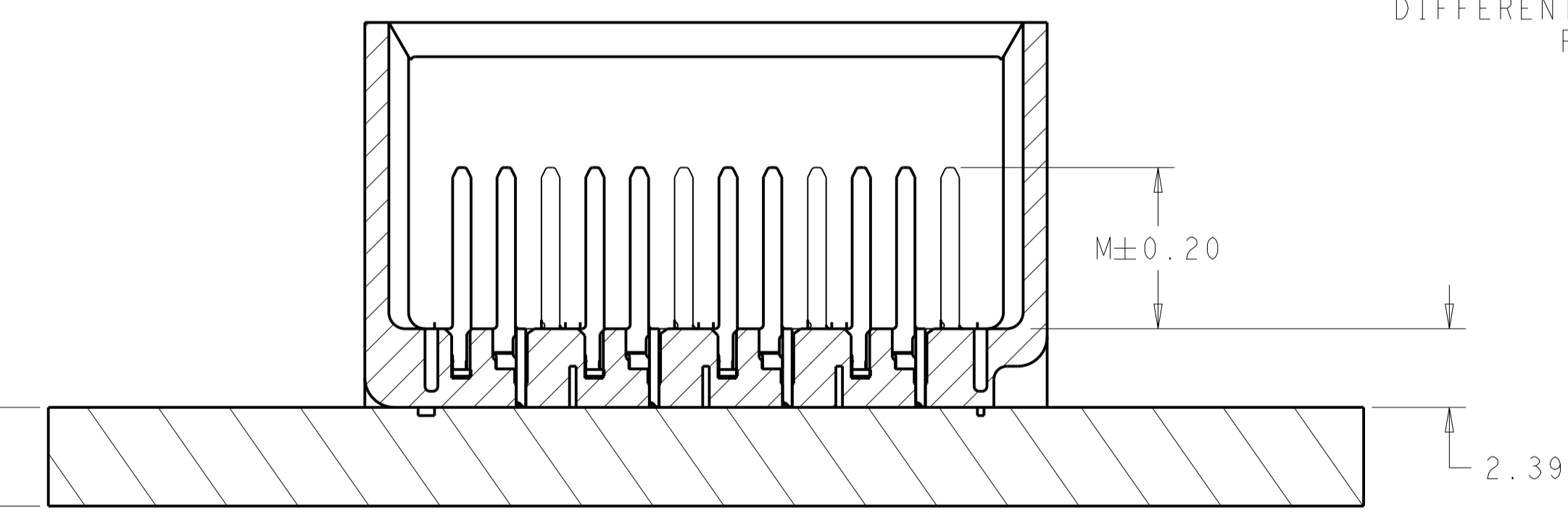
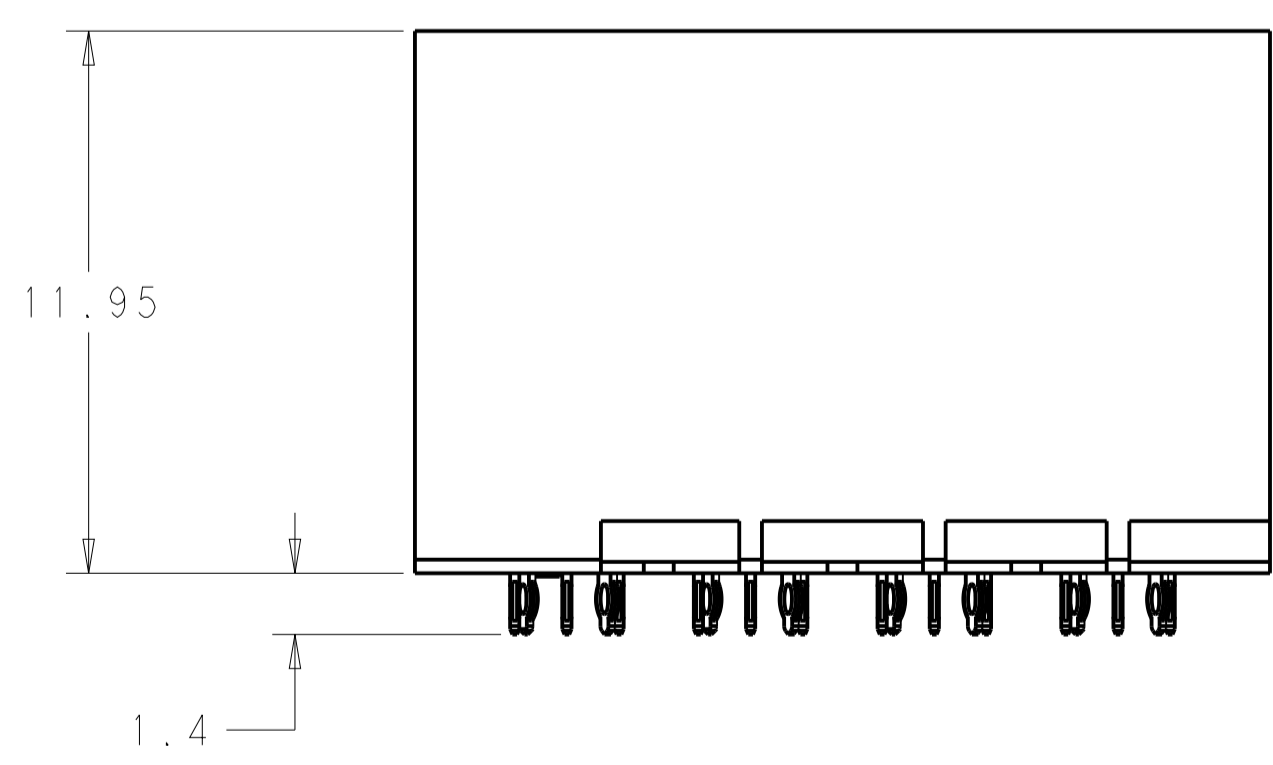
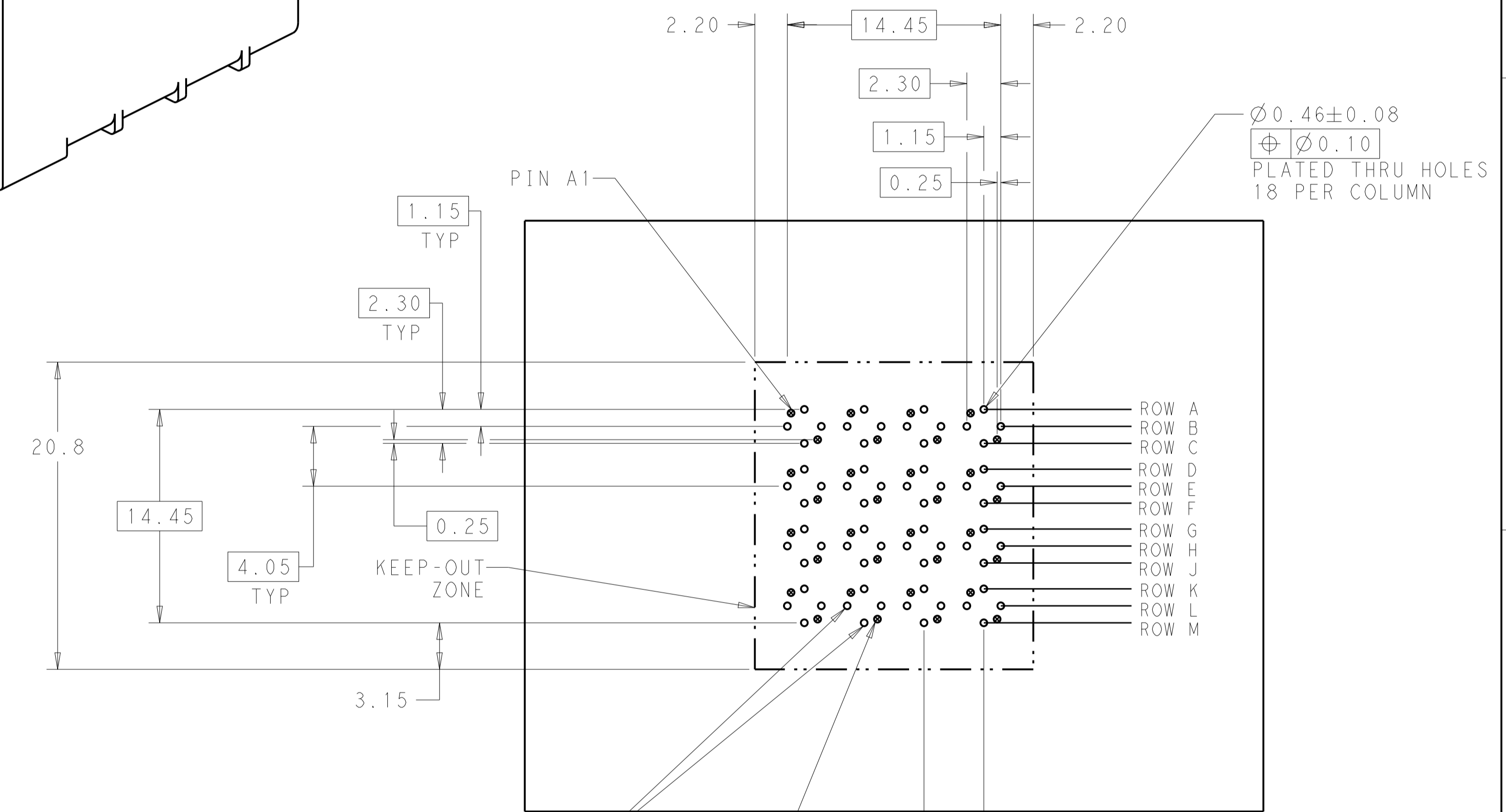
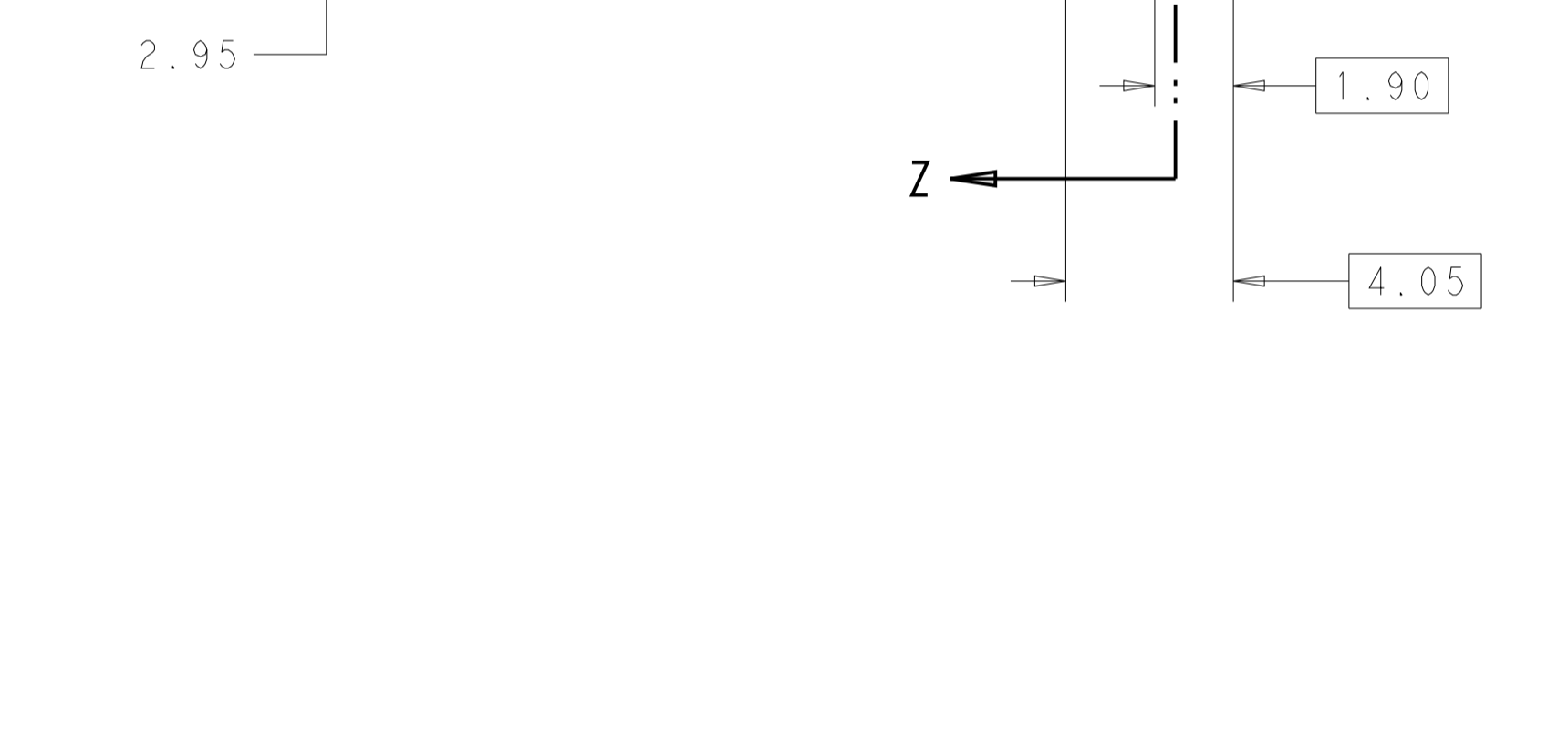


NOTCH DESIGNATES ROW A



△ MATERIAL:
HOUSING: LCP GLASS FILLED UL94V-0
TERMINALS: HIGH PERFORMANCE COPPER ALLOY

△ FINISH:
30μ" MIN GOLD IN CONTACT AREA
SELECTIVE TIN ON PCB TAILS.
NICKEL OVERALL.



3.00 MIN BOARD THICKNESS

SECTION Z-Z

LEFT GUIDED BACKPLANE HOLE PATTERN (CONNECTOR SIDE) SCALE 4:1

△	5.5	2132623-2
△	4.9	2132623-1
FINISH	DIM M	PART NUMBER

THIS DRAWING IS A CONTROLLED DOCUMENT.		OWN J. K. SHOBER 03JUN2010	STE TE Connectivity	
DIMENSIONS: mm		CHK J. EARY 03JUN2010	NAME IMPACT, 4 PAIR, 8 COLUMN, UNGUIDED DUAL END WALL ASSEMBLY, ORTHOGONAL, 0.46 PTH	
TOLERANCES UNLESS OTHERWISE SPECIFIED:		APVD J. EARY 03JUN2010	PRODUCT SPEC	
0 PLC ±0.25		APPLICATION SPEC		
1 PLC ±0.13		SIZE CAGE CODE DRAWING NO RESTRICTED TO		
2 PLC ±0.10		A1 00779 C=2132623		
3 PLC ±0.08		SCALE 6:1 SHEET 1 OF 1 REV B		
4 PLC ±0.05		Customer Drawing		
ANGLES ±0		WEIGHT		
FINISH SEE TABLE		Customer Drawing		