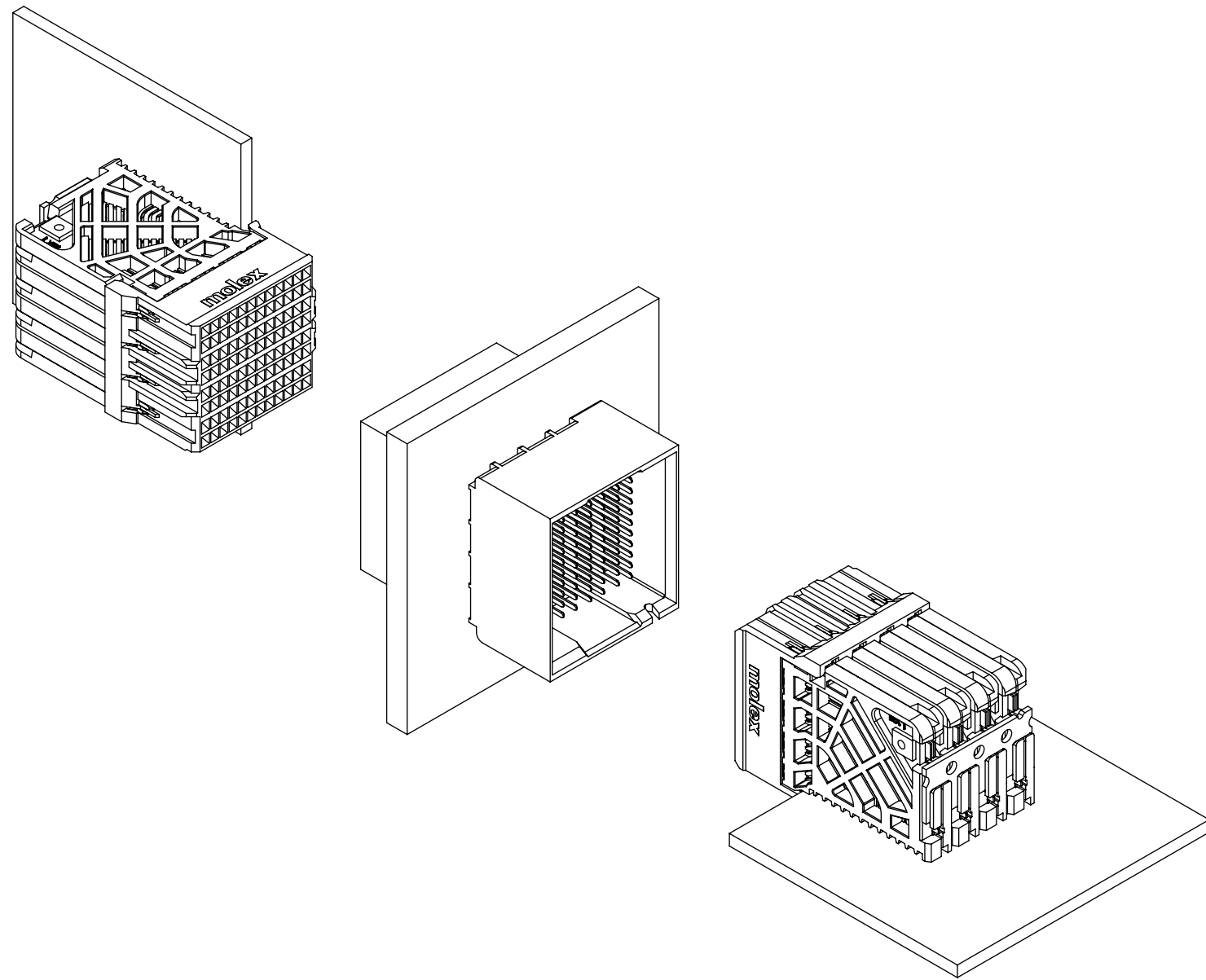


ORTHO OPTION 270

NEARSIDE PIN A1 MAPS
TO FAR SIDE PIN A1



MATERIAL NUMBER	# OF COLUMNS	# OF DIFF PAIR	DIM A	DIM B	DIM C
76855-*60*	6	18	12.0	10.00	10.40
76855-*62*	6	18	14.8	10.00	10.40
76855-*80*	8	24	16.1	14.05	14.45
76855-*82*	8	24	18.9	14.05	14.45

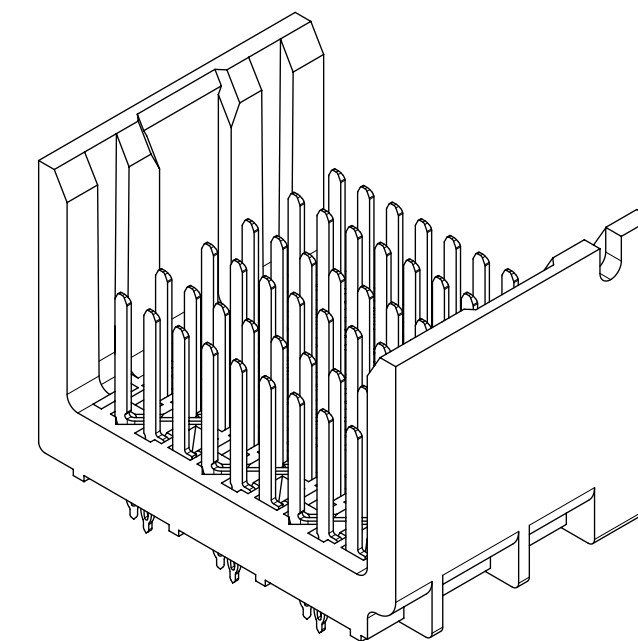
76855- * * * *

MODULE & TAIL PLATING TYPE
0 = UNGUIDED, TIN/LEAD
1 = UNGUIDED, TIN

OF COLUMNS
6 = 6 COLUMNS
8 = 8 COLUMNS

PIN LENGTH (P)
4 = 4.90 (0.46 PTH)
5 = 5.50 (0.46 PTH)
7 = 4.90 (0.39 PTH)
8 = 5.50 (0.39 PTH)

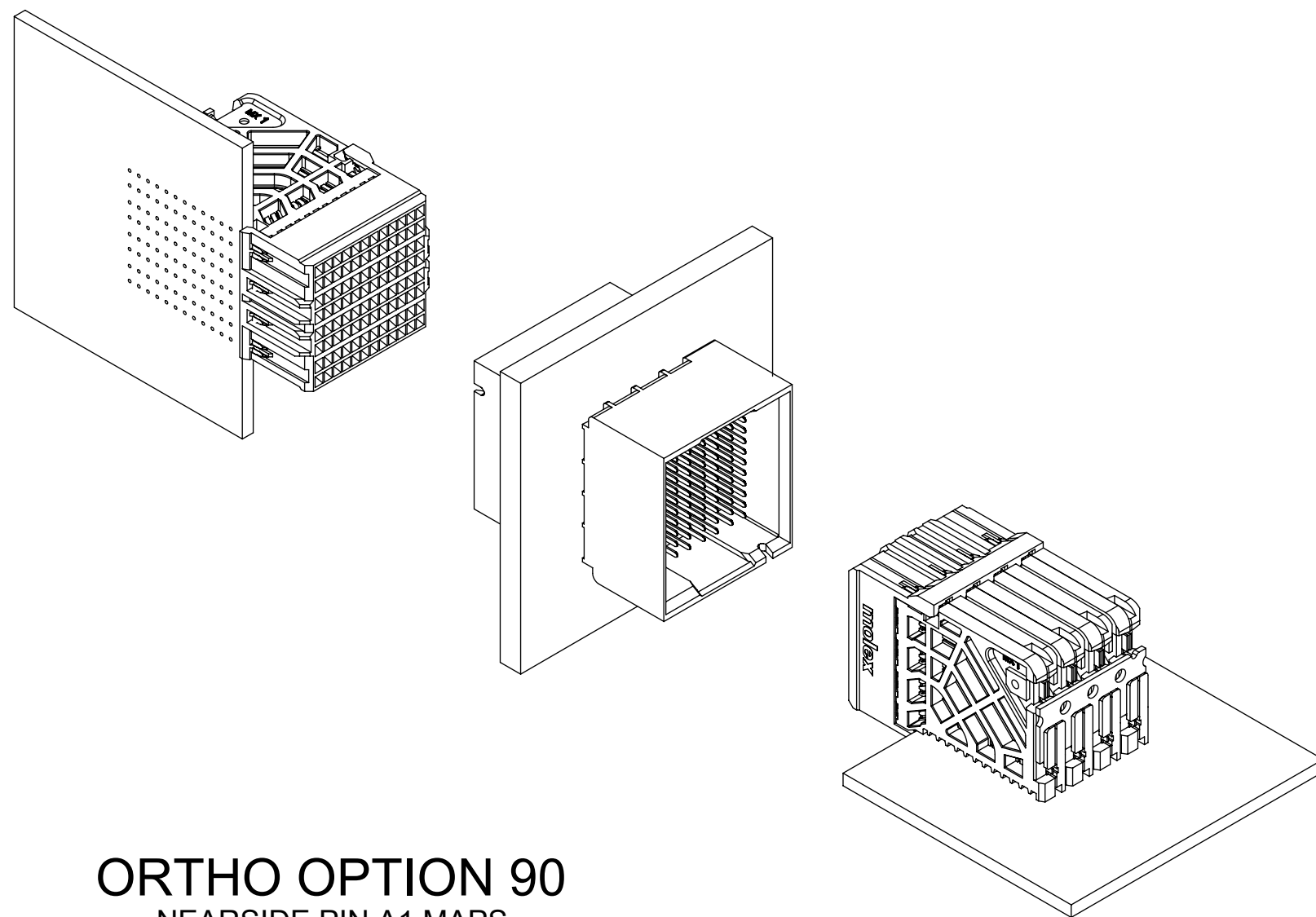
ENDWALL OPTIONS
0 = OPEN ENDS
2 = DUAL ENDWALL



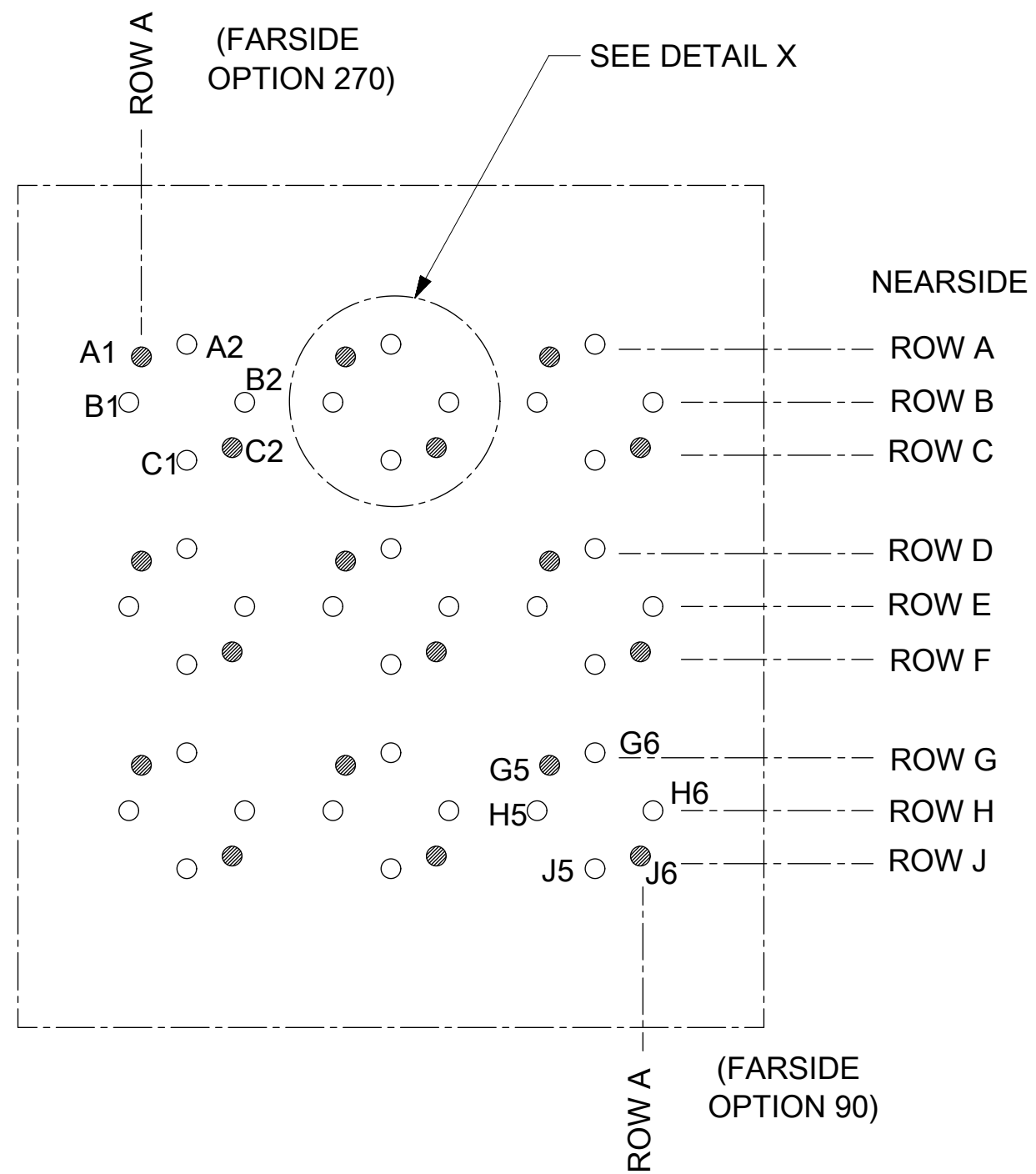
OPEN END OPTION

ORTHO OPTION 90

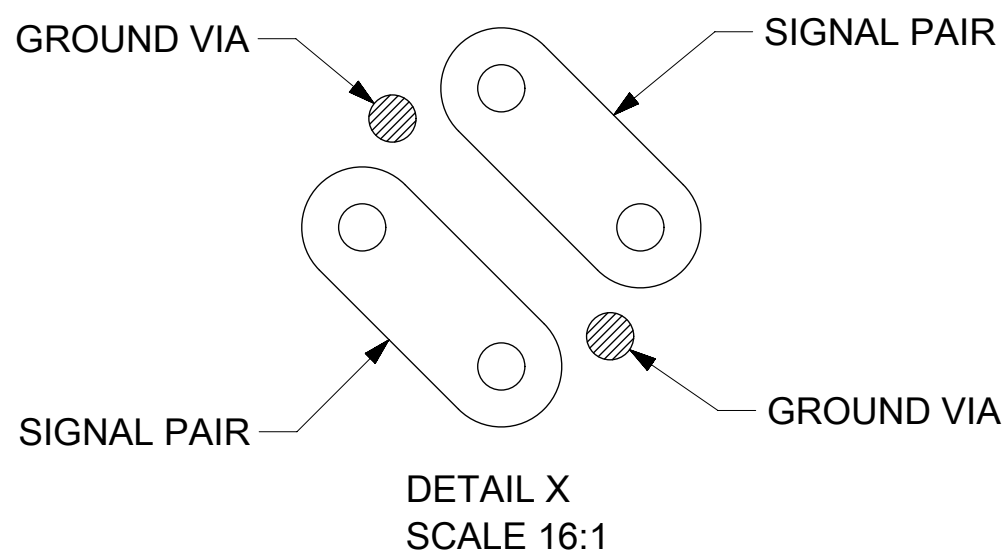
NEARSIDE PIN A1 MAPS
TO FAR SIDE PIN J6
(FOR SQUARE PATTERN)



QUALITY SYMBOLS	THIS DRAWING CONTAINS INFORMATION THAT IS PROPRIETARY TO MOLEX ELECTRONIC TECHNOLOGIES, LLC AND SHOULD NOT BE USED WITHOUT WRITTEN PERMISSION									
	▽ = 0 ▽ = 0 ▽ = 0 ▼ = 0 ▽ = 0 ☒ = 0 ■ = 0 ▽ = 0	EC NO: 123283 DRWN: ABN CHKD: ABN REV: APPR: PRAMASWAMY	2017/10/17 2017/10/17 2017/10/18	GENERAL TOLERANCES (UNLESS SPECIFIED) ANGULAR TOL ± 0.5 °	DIMENSION UNITS		SCALE			
mm					4:1					
MIGRATED TO NX				DRWN BY		DATE		IMPACT 3 PAIR HEADER ORTHOGONAL ASSEMBLY UNGUIDED SALES DRAWING		
4 PLACES ± 3 PLACES ± 2 PLACES ± 0.13 1 PLACE ± 0.25 0 PLACES ±				ARIZVI01		2013/04/01				
DRAFT WHERE APPLICABLE MUST REMAIN WITHIN DIMENSIONS				CHKD BY		DATE		PRODUCT CUSTOMER DRAWING		
				PRAMASWAMY		2017/10/13				
				APPR BY		DATE		SERIES MATERIAL NUMBER CUSTOMER 76855 SEE CHART GENERAL MARKET		
				TELO		2015/03/24		DOCUMENT NUMBER DOC TYPE DOC PART SHEET NUMBER SD-76855-001 PSD 001 2 OF 3		
				DRAWING SIZE		THIRD ANGLE PROJECTION				
				C						



MIDPLANE PCB LAYOUT



ORTHO PIN MAPPING					
OPTION 270 (NEARSIDE - FARSIDE)					
A1-A1	A2-B1	A3-D1	A4-E1	A5-G1	A6-H1
B1-A2	B2-C1	B3-D2	B4-F1	B5-G2	B6-J1
C1-B2	C2-C2	C3-E2	C4-F2	C5-H2	C6-J2
D1-A3	D2-B3	D3-D3	D4-E3	D5-G3	D6-H3
E1-A4	E2-C3	E3-D4	E4-F3	E5-G4	E6-J3
F1-B4	F2-C4	F3-E4	F4-F4	F5-H4	F6-J4
G1-A5	G2-B5	G3-D5	G4-E5	G5-G5	G6-H5
H1-A6	H2-C5	H3-D6	H4-F5	H5-G6	H6-J5
J1-B6	J2-C6	J3-E6	J4-F6	J5-H6	J6-J6

ORTHO PIN MAPPING					
OPTION 90 (NEARSIDE - FARSIDE)					
A1-J6	A2-H6	A3-F6	A4-E6	A5-C6	A6-B6
B1-J5	B2-G6	B3-F5	B4-D6	B5-C5	B6-A6
C1-H5	C2-G5	C3-E5	C4-D5	C5-B5	C6-A5
D1-J4	D2-H4	D3-F4	D4-E4	D5-C4	D6-B4
E1-J3	E2-G4	E3-F3	E4-D4	E5-C3	E6-A4
F1-H3	F2-G3	F3-E3	F4-D3	F5-B3	F6-A3
G1-J2	G2-H2	G3-F2	G4-E2	G5-C2	G6-B2
H1-J1	H2-G2	H3-F1	H4-D2	H5-C1	H6-A2
J1-H1	J2-G1	J3-E1	J4-D1	J5-B1	J6-A1

NOTE: PINOUTS SHOWN IN BALLOONS ARE GROUNDS.
PINOUTS SHOWN ARE FOR SQUARE (6 COLUMN) PATTERN ONLY.

QUALITY SYMBOLS	THIS DRAWING CONTAINS INFORMATION THAT IS PROPRIETARY TO MOLEX ELECTRONIC TECHNOLOGIES, LLC AND SHOULD NOT BE USED WITHOUT WRITTEN PERMISSION					
▽ = 0	EC NO: 123283 DRWN: ABN CHKD: ABN APPR: PRAMASWAMY MIGRATED TO NX 2017/10/17 2017/10/17 2017/10/18	GENERAL TOLERANCES (UNLESS SPECIFIED)		DIMENSION UNITS	SCALE	
▽ = 0		ANGULAR TOL ± 0.5 °		mm	1:1	
▽ = 0		4 PLACES ±	DRWN BY		DATE	
▽ = 0		3 PLACES ±	ARIZVI01	2013/04/01		
▽ = 0		2 PLACES ± 0.13	CHKD BY		DATE	
▽ = 0		1 PLACE ± 0.25	PRAMASWAMY	2017/10/13		
▽ = 0		0 PLACES ±	APPR BY		DATE	
▽ = 0		DRAFT WHERE APPLICABLE MUST REMAIN WITHIN DIMENSIONS		TELO	2015/03/24	
▽ = 0				DRAWING SIZE	THIRD ANGLE PROJECTION	
▽ = 0				C		
					IMPACT 3 PAIR HEADER ORTHOGONAL ASSEMBLY UNGUIDED SALES DRAWING	
			PRODUCT CUSTOMER DRAWING		SERIES: 76855 MATERIAL NUMBER: SEE CHART CUSTOMER: GENERAL MARKET	
			DOCUMENT NUMBER: SD-76855-001 DOC TYPE: PSD DOC PART: 001 SHEET NUMBER: 3 OF 3			