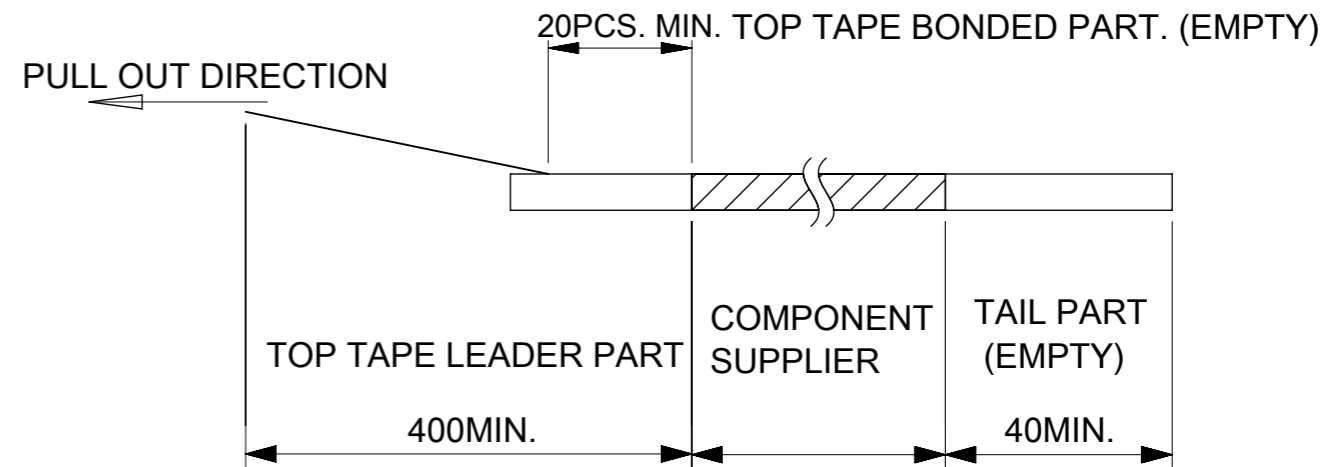
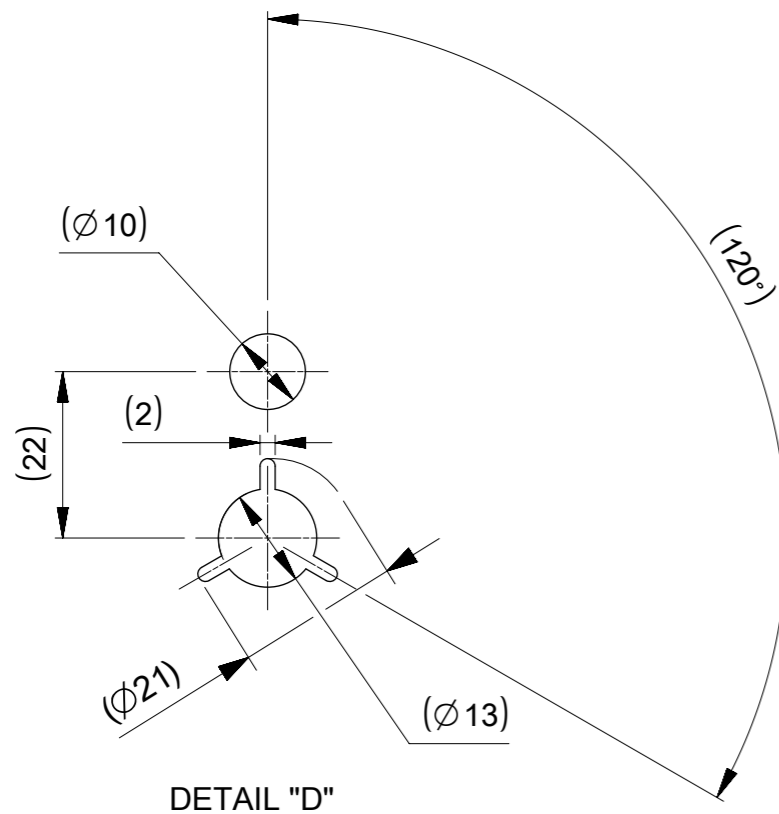
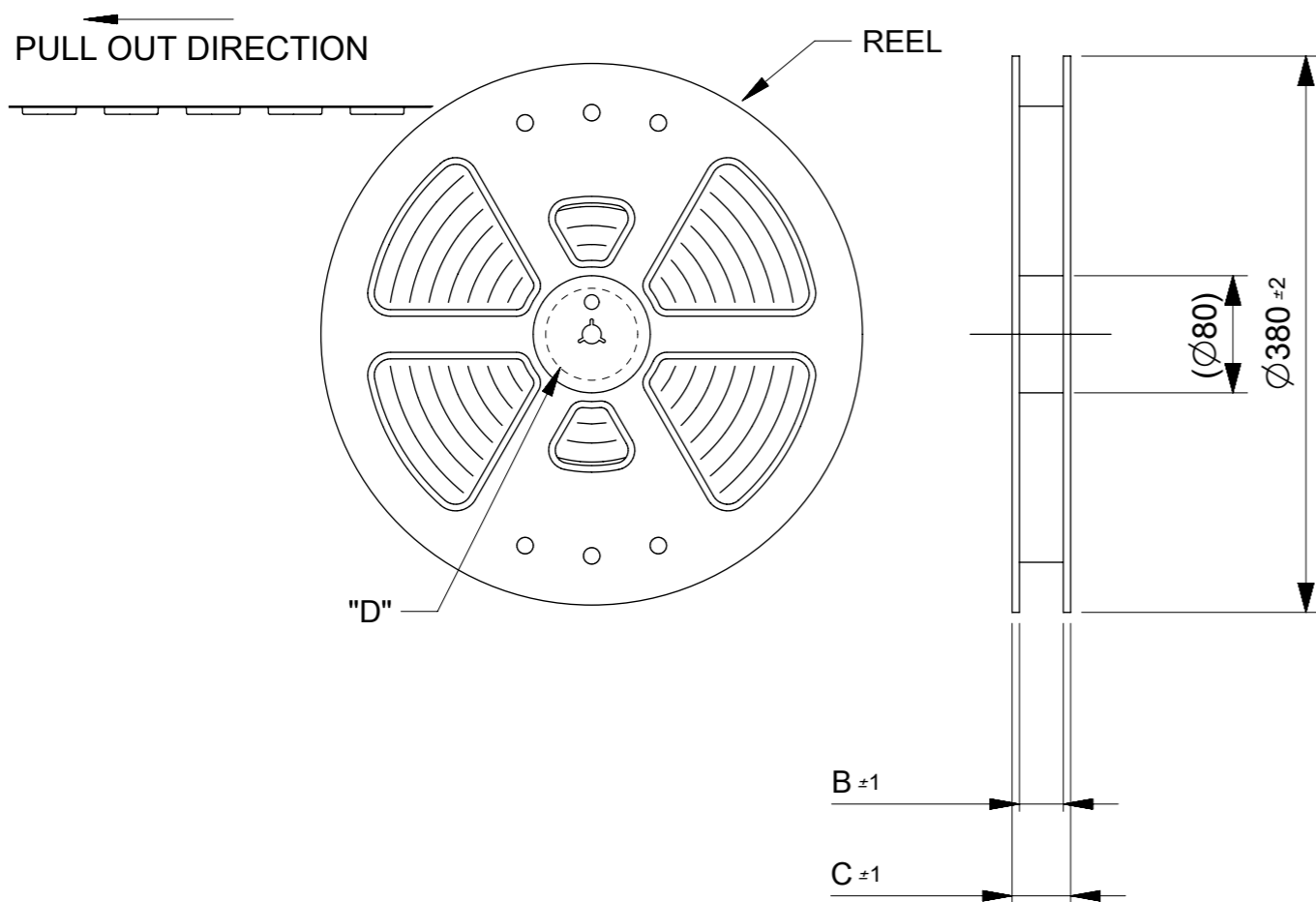


NOTES

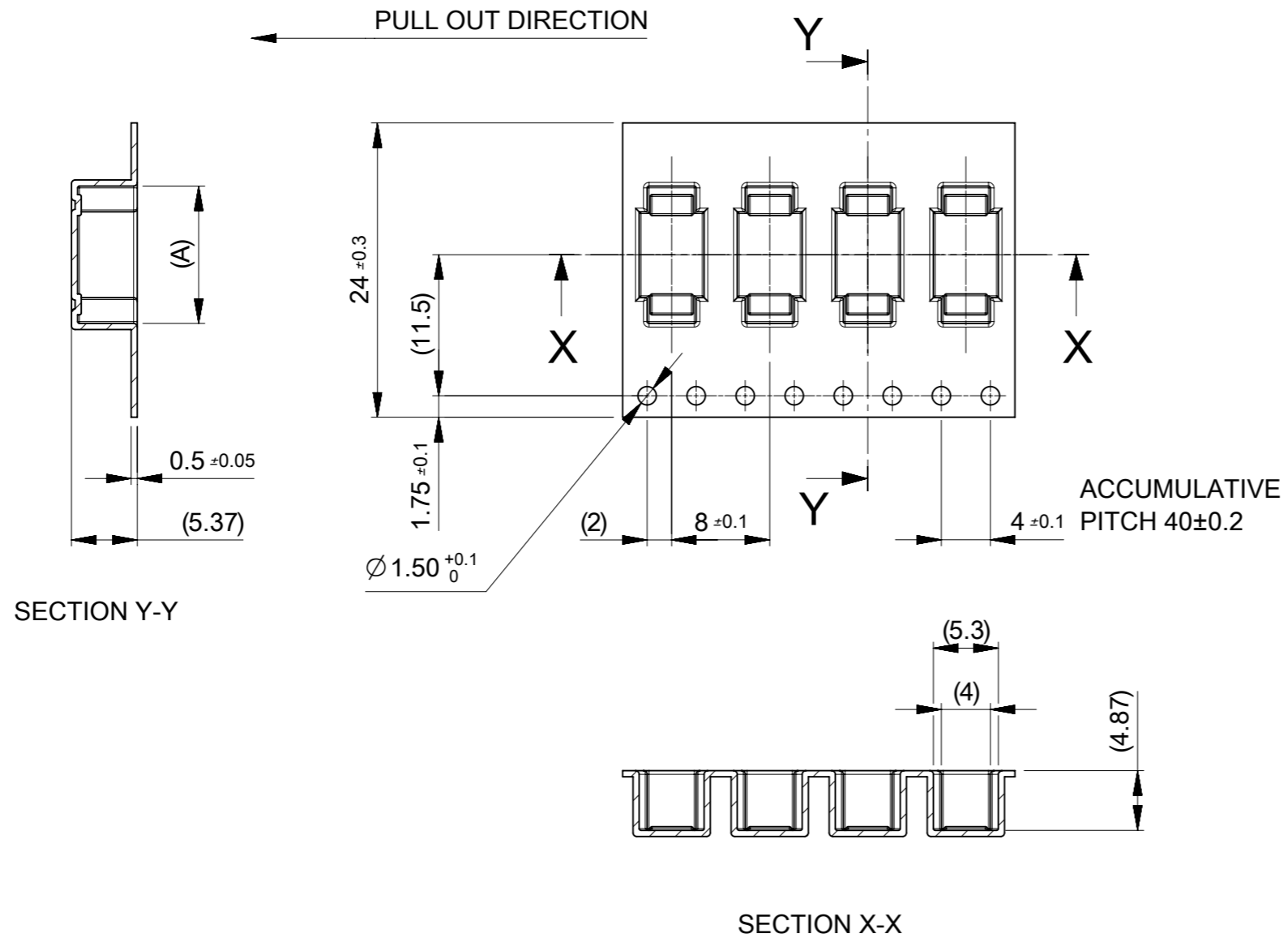
1. DETAIL DIMENSION, SEE PRODUCT DRAWING.
2. NUMBER OF CONNECTORS : 2200 PCS/REEL.  
NUMBER OF DELIVERY UNIT : 20~50 CKT. 6600 PCS/CARTON.  
60 CKT. 4400 PCS/CARTON.
3. LEAD TAPE LENGTH.



4. TOP TAPE PEEL FORCE IS DEFINED BY IEC60286-3
5. MATERIAL  
CARRER TAPE :POLYSTYRENE  
TOP TAPE :PET , OTHER  
REEL :POLYSTYRENE(PS)(RECYCLE MATERIAL CONTAINED)
6. ELV AND RoHS COMPLIANT



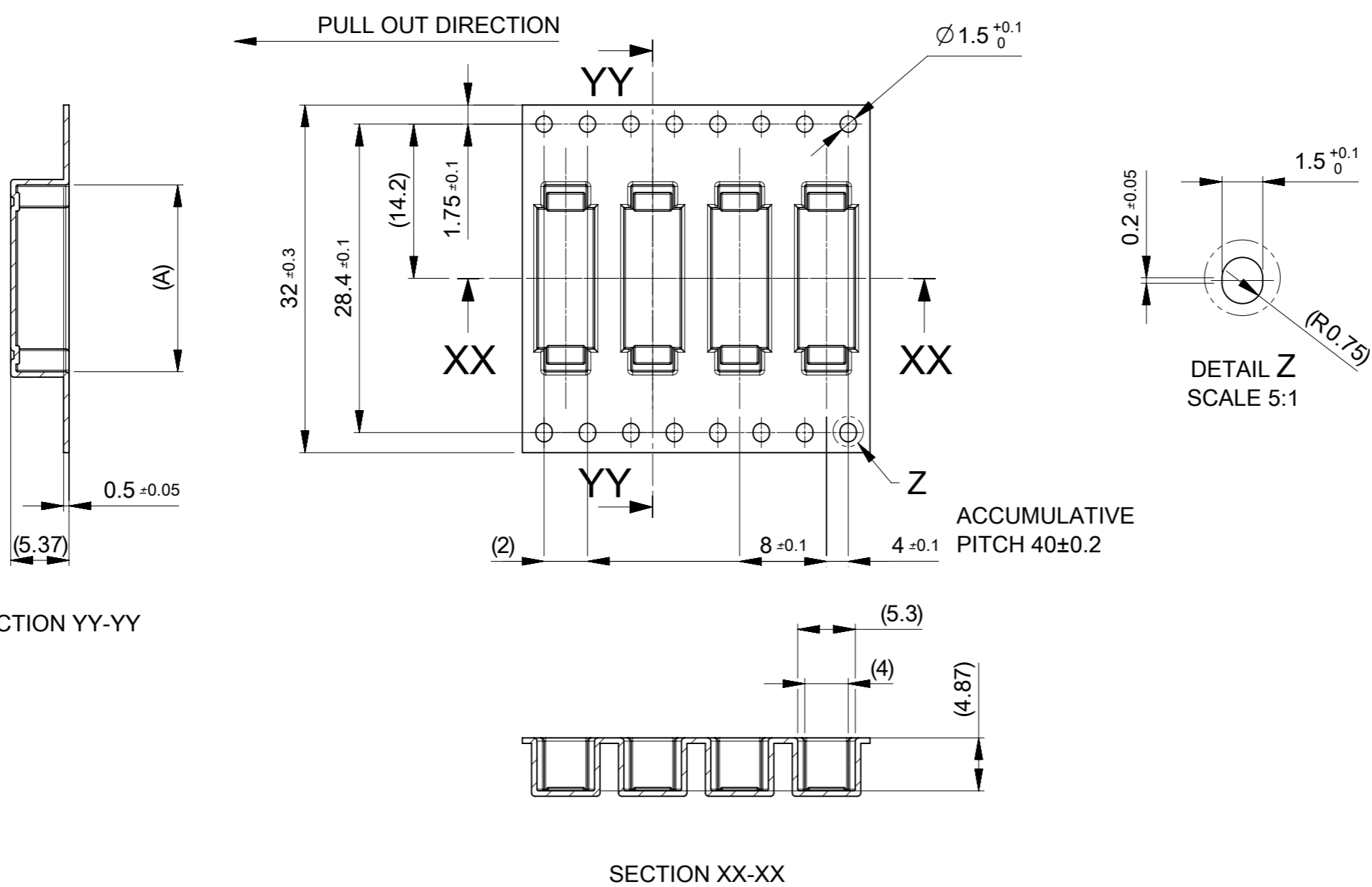
THIS DRAWING CONTAINS INFORMATION THAT IS PROPRIETARY TO MOLEX ELECTRONIC TECHNOLOGIES, LLC AND SHOULD NOT BE USED WITHOUT WRITTEN PERMISSION									
DIMENSION UNITS	SCALE	CURRENT REV DESC:					<b>molex</b>		
mm	2:1								
GENERAL TOLERANCES (UNLESS SPECIFIED)		EC NO: 623405					0.4 FLOATING BB H=5 PLUG EMBOSSTP PKG.		
ANGULAR TOL	± °	DRWN: JFURUKAWA 2019/09/02					PRODUCT CUSTOMER DRAWING		
4 PLACES	±	CHK'D: YNAITO 2019/09/18					DOCUMENT NUMBER		
3 PLACES	±	APPR: RTAKEUCHI 2019/09/18					2039560000		
2 PLACES	±	INITIAL REVISION:					DOC TYPE	DOC PART	REVISION
1 PLACE	±	DRWN: YSEKI01 2019/07/10					PSD	002	B
0 PLACES	±	APPR: RTAKEUCHI 2019/07/16					SHEET NUMBER		
DRAFT WHERE APPLICABLE MUST REMAIN WITHIN DIMENSIONS	THIRD ANGLE PROJECTION	DRAWING	SERIES	MATERIAL NUMBER	CUSTOMER	SEE CHART GENERAL 1 OF 3			
		A3-SIZE	203956						



24	29.4	25.4	15.2	2039560502	2039560503	○	---	50
			13.2	2039560402	2039560403	○	---	40
			11.2	2039560302	2039560303	○	---	30
			9.2	2039560202	2039560203	○	---	20
キャリアテープ幅 CARRIER TAPE WIDTH	C	B	(A)	WITHOUT COVER TAPE	WITH COVER TAPE	HIGH VOL. TOOL	LOW VOL. TOOL	CIRCUIT
				MATERIAL No.		SAMPLE PREPARATION		

THIS DRAWING CONTAINS INFORMATION THAT IS PROPRIETARY TO MOLEX ELECTRONIC TECHNOLOGIES, LLC AND SHOULD NOT BE USED WITHOUT WRITTEN PERMISSION

DIMENSION UNITS <b>mm</b>	SCALE <b>1:1</b>	CURRENT REV DESC:			<b>molex</b>		
GENERAL TOLERANCES (UNLESS SPECIFIED)		EC NO: 623405					
ANGULAR TOL ± °		DRWN: JFURUKAWA 2019/09/02			PRODUCT CUSTOMER DRAWING		
4 PLACES ±		CHK'D: YNAITO 2019/09/18			DOCUMENT NUMBER		
3 PLACES ±		APPR: RTAKEUCHI 2019/09/18			2039560000		
2 PLACES ±		INITIAL REVISION:			DOC TYPE		
1 PLACE ±		DRWN: YSEKI01 2019/07/10			PSD		
0 PLACES ±		APPR: RTAKEUCHI 2019/07/16			DOC PART		
DRAFT WHERE APPLICABLE MUST REMAIN WITHIN DIMENSIONS		THIRD ANGLE PROJECTION		DRAWING		SERIES	
		A3-SIZE		203956		REVISION	
				MATERIAL NUMBER		CUSTOMER	
				SEE CHART		GENERAL	
						SHEET NUMBER	
						2 OF 3	



SECTION YY-YY

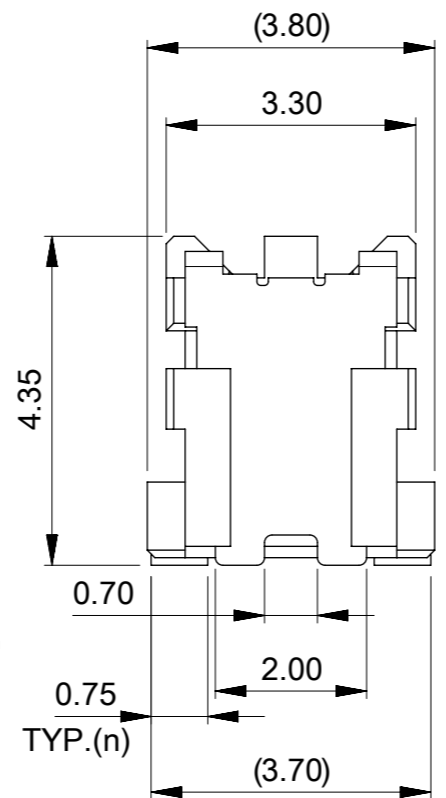
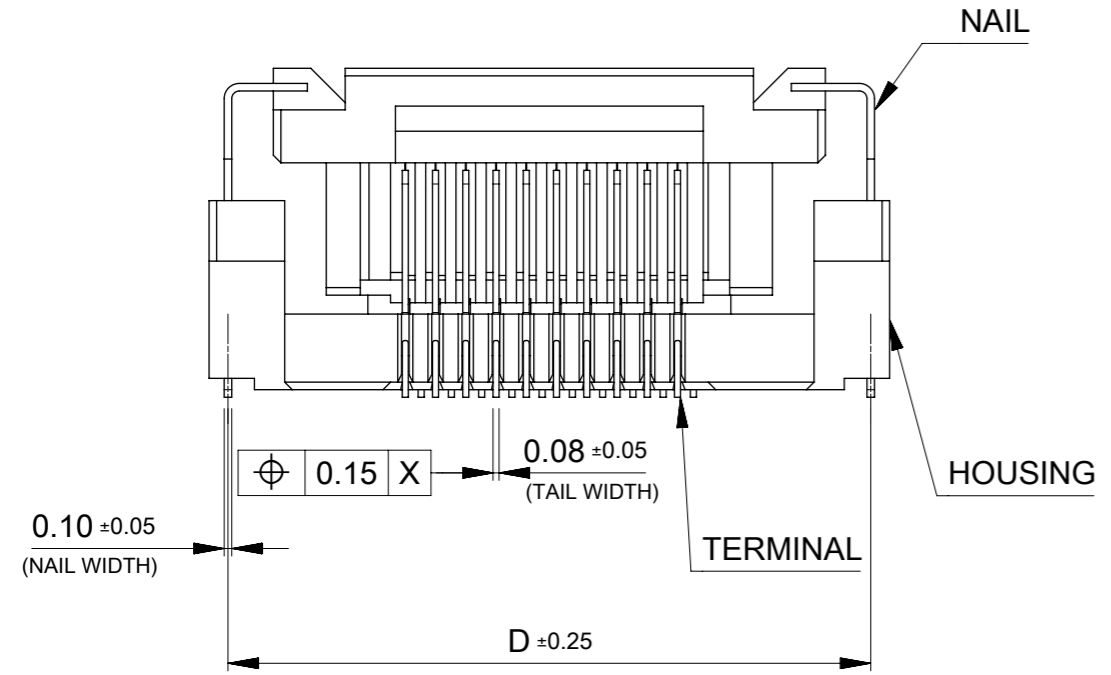
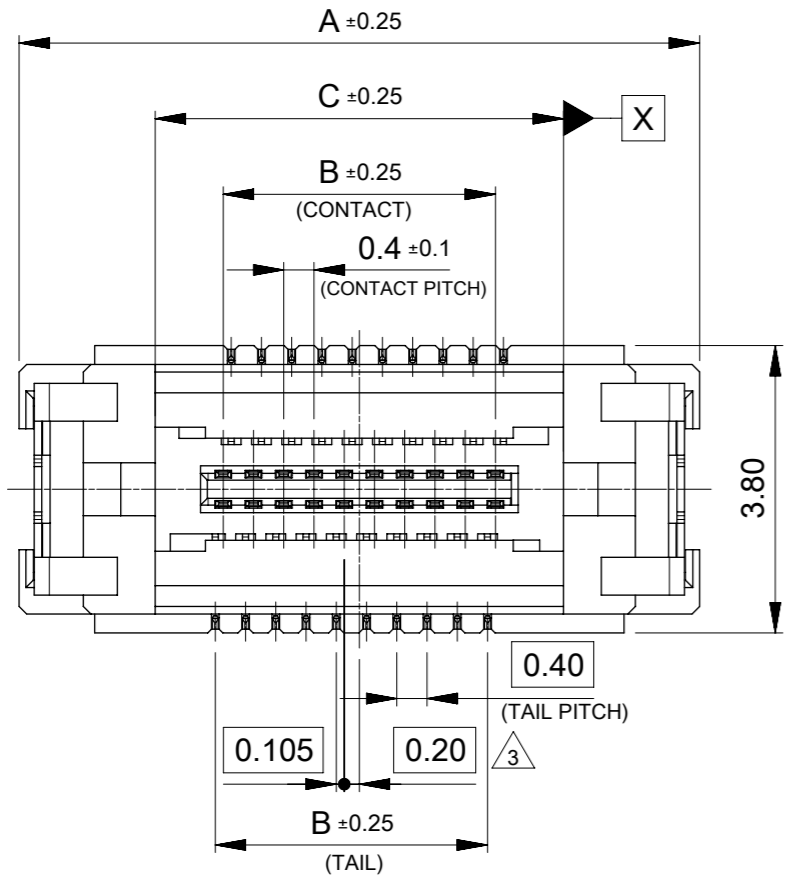
SECTION XX-XX

DETAIL Z  
SCALE 5:1

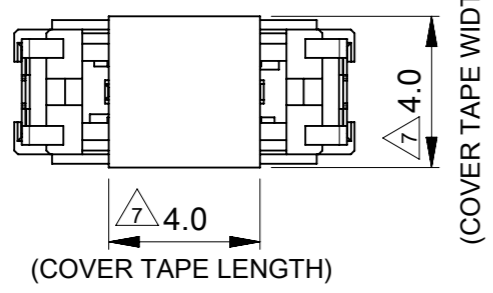
32	37.4	33.4	17.2	2039560602	2039560603	○	---	60
キャリアテープ幅 CARRIER TAPE WIDTH	C	B	(A)	WITHOUT COVER TAPE	WITH COVER TAPE	HIGH VOL. TOOL	LOW VOL. TOOL	CIRCUIT
MATERIAL No.					SAMPLE PREPARATION			

THIS DRAWING CONTAINS INFORMATION THAT IS PROPRIETARY TO MOLEX ELECTRONIC TECHNOLOGIES, LLC AND SHOULD NOT BE USED WITHOUT WRITTEN PERMISSION

DIMENSION UNITS mm	SCALE 2:1	CURRENT REV DESC:			<b>molex</b>
GENERAL TOLERANCES (UNLESS SPECIFIED)		EC NO: 623405			
ANGULAR TOL ± °		DRWN: JFURUKAWA 2019/09/02			0.4 FLOATING BB H=5 PLUG EMBOSSTP PKG.
4 PLACES ±		CHK'D: YNAITO 2019/09/18			
3 PLACES ±		APPR: RTAKEUCHI 2019/09/18			PRODUCT CUSTOMER DRAWING
2 PLACES ±		INITIAL REVISION:			
1 PLACE ±		DRWN: YSEKI01 2019/07/10			DOCUMENT NUMBER
0 PLACES ±		APPR: RTAKEUCHI 2019/07/16			2039560000
DRAFT WHERE APPLICABLE MUST REMAIN WITHIN DIMENSIONS	THIRD ANGLE PROJECTION	DRAWING	SERIES	MATERIAL NUMBER	CUSTOMER
		A3-SIZE	203956	SEE CHART	GENERAL



**COVER TAPE LAYOUT**



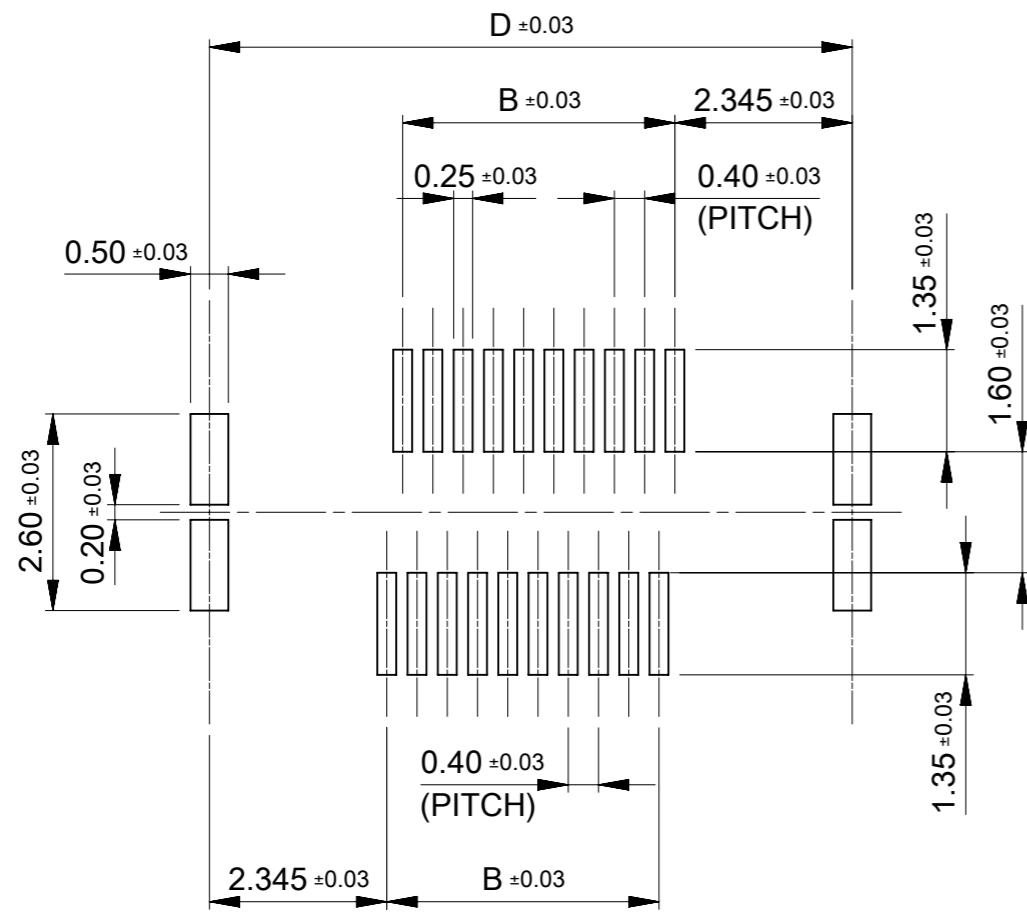
- 1 MATERIAL  
 WAFER: LIQUID CRYSTAL POLYMER UL94V-0 (COLOR : BLACK)  
 TERMINAL: COPPER ALLOY  
 FITTING NAIL: COPPER ALLOY  
 COVER TAPE: POLYIMIDE
- 2 PLATING  
 TERMINAL :  
 CONTACT AREA: GOLD PLATING.  
 SOLDER TAIL AREA: GOLD PLATING.  
 UNDERPLATE: NICKEL OVERALL.  
 FITTING NAIL:  
 SURFACE: TIN OVERALL  
 UNDERPLATE: NICKEL OVERALL.
- △<sub>3</sub> APPLY FOR (CIRCUIT/2)=EVEN.
- 4 MATE WITH :203955\*\*\*\*
- 5 TAIL COPLANARITY TO BE 0.1 MAXIMUM.
- 6 ELV and RoHS COMPLIANT.
- △<sub>7</sub> ALL CIRCUIT IS COMMON LENGTH.

16.5	13.4	11.6	17	2039560602	2039560603	○	---	60
14.5	11.4	9.6	15	2039560502	2039560503	○	---	50
12.5	9.4	7.6	13	2039560402	2039560403	○	---	40
10.5	7.4	5.6	11	2039560302	2039560303	○	---	30
8.5	5.4	3.6	9	2039560202	2039560203	○	---	20
D	C	B	A	WITHOUT COVER TAPE	WITH COVER TAPE	HIGH VOL. TOOL	LOW VOL. TOOL	CIRCUIT
				EMBOSSED TAPE PACKAGE ORDER NO.				SAMPLE PREPARATION ○ : TOOLED △ : WORK IN PROCESS ---: TOOLING TO BE CONFIRMED

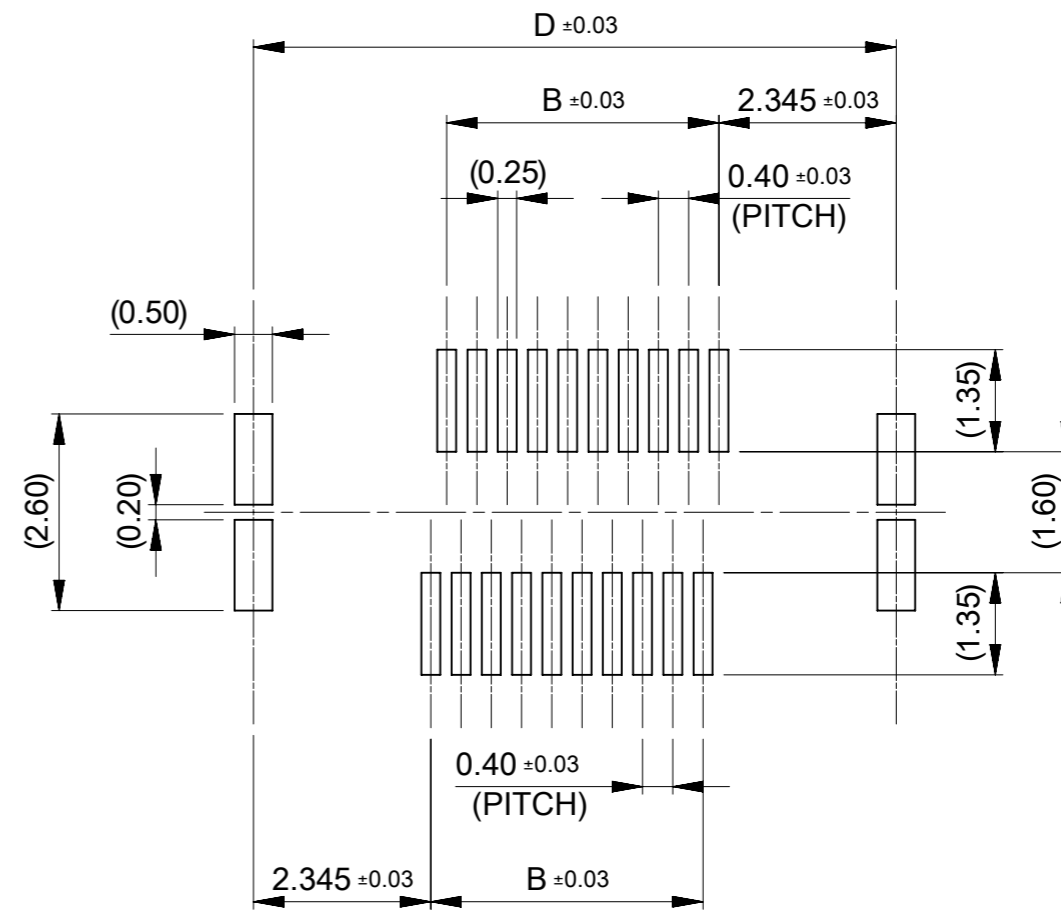
CONNECTOR SERIES NO. : 2039561\*\*1 (WITH COVER TAPE)  
 2039561\*\*2 (WITHOUT COVER TAPE)

THIS DRAWING CONTAINS INFORMATION THAT IS PROPRIETARY TO MOLEX ELECTRONIC TECHNOLOGIES, LLC AND SHOULD NOT BE USED WITHOUT WRITTEN PERMISSION

DIMENSION UNITS <b>mm</b>	SCALE <b>10:1</b>	CURRENT REV DESC:		<b>molex</b>				
GENERAL TOLERANCES (UNLESS SPECIFIED)		EC NO: 694599						0.4 FLOATING BB CONN.H=5 PLUG ASSY
ANGULAR TOL ± 1.0°	4 PLACES ± 0.2	DRWN: JFURUKAWA 2022/02/04		PRODUCT CUSTOMER DRAWING				
3 PLACES ± 0.2	2 PLACES ± 0.2	CHK'D: YMATSUMOTO 2022/02/09		DOCUMENT NUMBER				
1 PLACE ± 0.2	0 PLACES ± 0.2	APPR: SHOSHIKAWA 2022/02/09		2039561000-SD		DOC TYPE	DOC PART	REVISION
DRAFT WHERE APPLICABLE MUST REMAIN WITHIN DIMENSIONS		THIRD ANGLE PROJECTION	DRAWING	SERIES	MATERIAL NUMBER	CUSTOMER	SHEET NUMBER	
			A3-SIZE	203956		GENERAL	1 OF 2	



RECOMMENDED P.W.BOARD PATTERN LAYOUT(REFERENCE)



RECOMMENDED METAL MASK LAYOUT(REFERENCE)

RECOMMENDED THICKNESS OF METAL MASK : t=0.1mm

RECOMMENDED OPEN APERTURE RATIO OF METAL MASK : 100%

THIS DRAWING CONTAINS INFORMATION THAT IS PROPRIETARY TO MOLEX ELECTRONIC TECHNOLOGIES, LLC AND SHOULD NOT BE USED WITHOUT WRITTEN PERMISSION									
DIMENSION UNITS	SCALE	CURRENT REV DESC:					<b>molex</b>		
mm	10:1								
GENERAL TOLERANCES (UNLESS SPECIFIED)							0.4 FLOATING BB CONN.H=5 PLUG ASSY		
ANGULAR TOL	± 1.0 °						PRODUCT CUSTOMER DRAWING		
4 PLACES	± 0.2	EC NO: 694599				DOCUMENT NUMBER: 2039561000-SD   DOC TYPE: PSD   DOC PART: 000   REVISION: D			
3 PLACES	± 0.2	DRWN: JFURUKAWA			2022/02/04				
2 PLACES	± 0.2	CHK'D: YMATSUMOTO			2022/02/09	MATERIAL NUMBER:   CUSTOMER: GENERAL   SHEET NUMBER: 2 OF 2			
1 PLACE	± 0.2	APPR: SHOSHIKAWA			2022/02/09				
0 PLACES	± 0.2	INITIAL REVISION:							
DRAFT WHERE APPLICABLE MUST REMAIN WITHIN DIMENSIONS		THIRD ANGLE PROJECTION	DRAWING	SERIES	MATERIAL NUMBER	CUSTOMER	SHEET NUMBER		
			A3-SIZE	203956		GENERAL	2 OF 2		