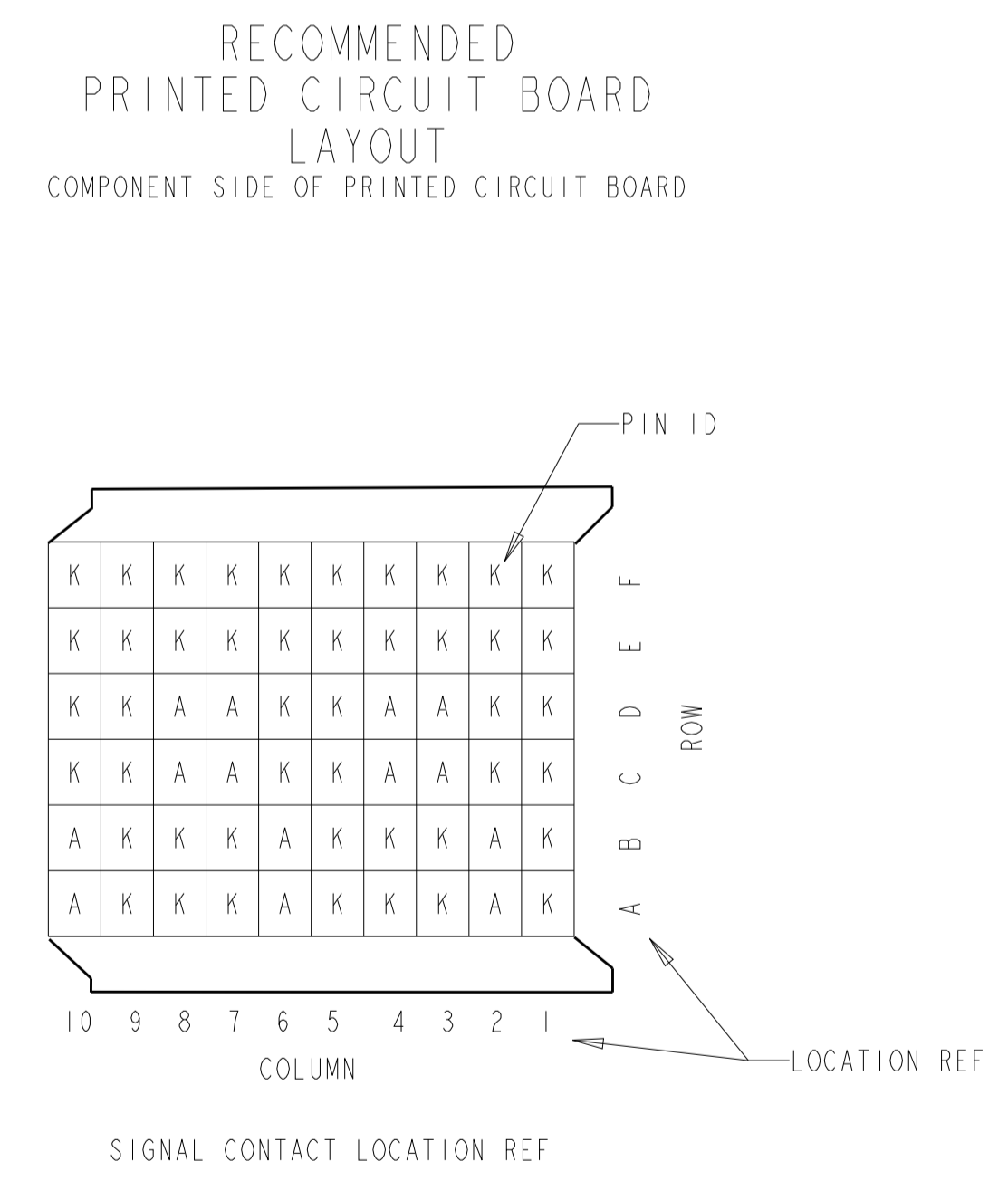
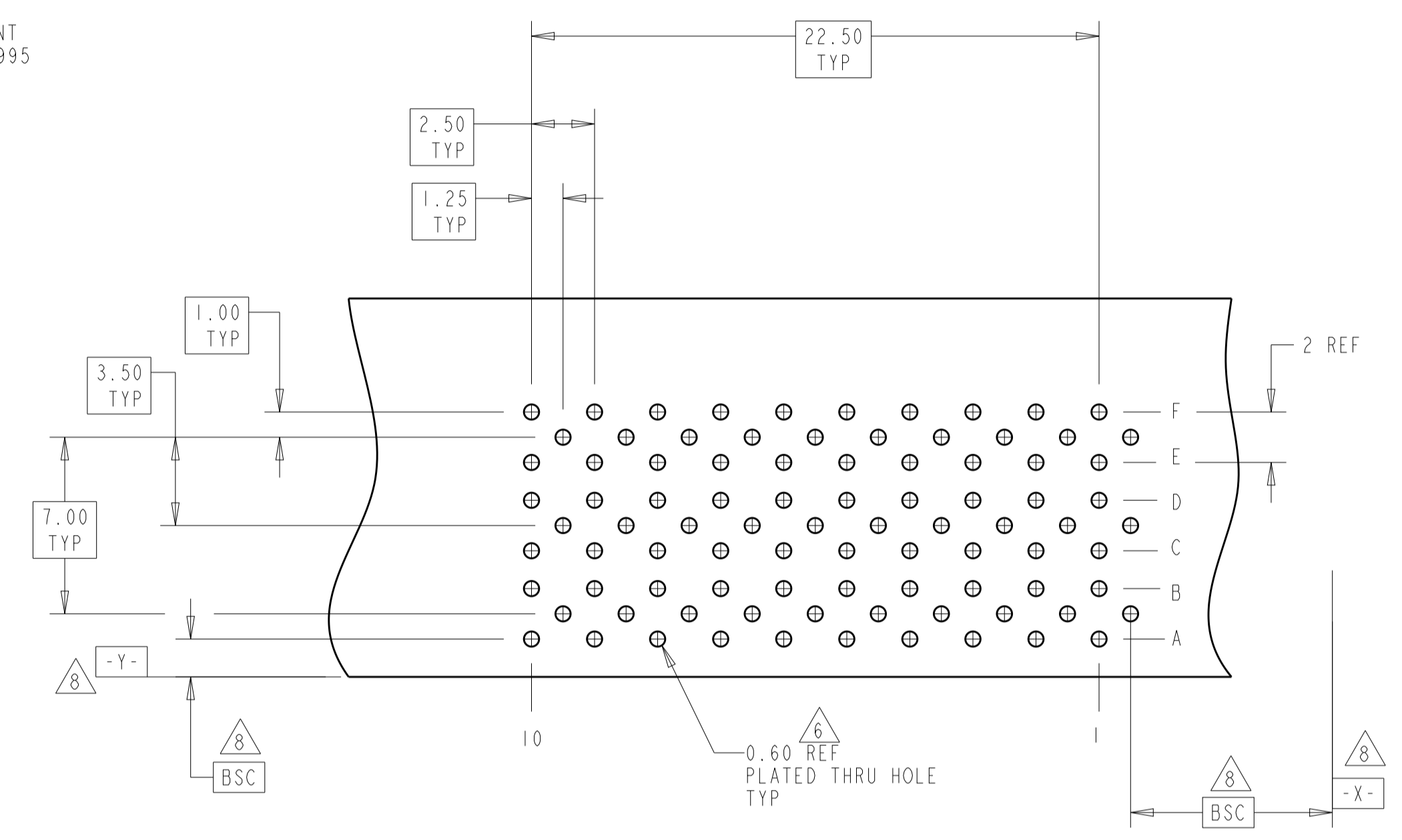
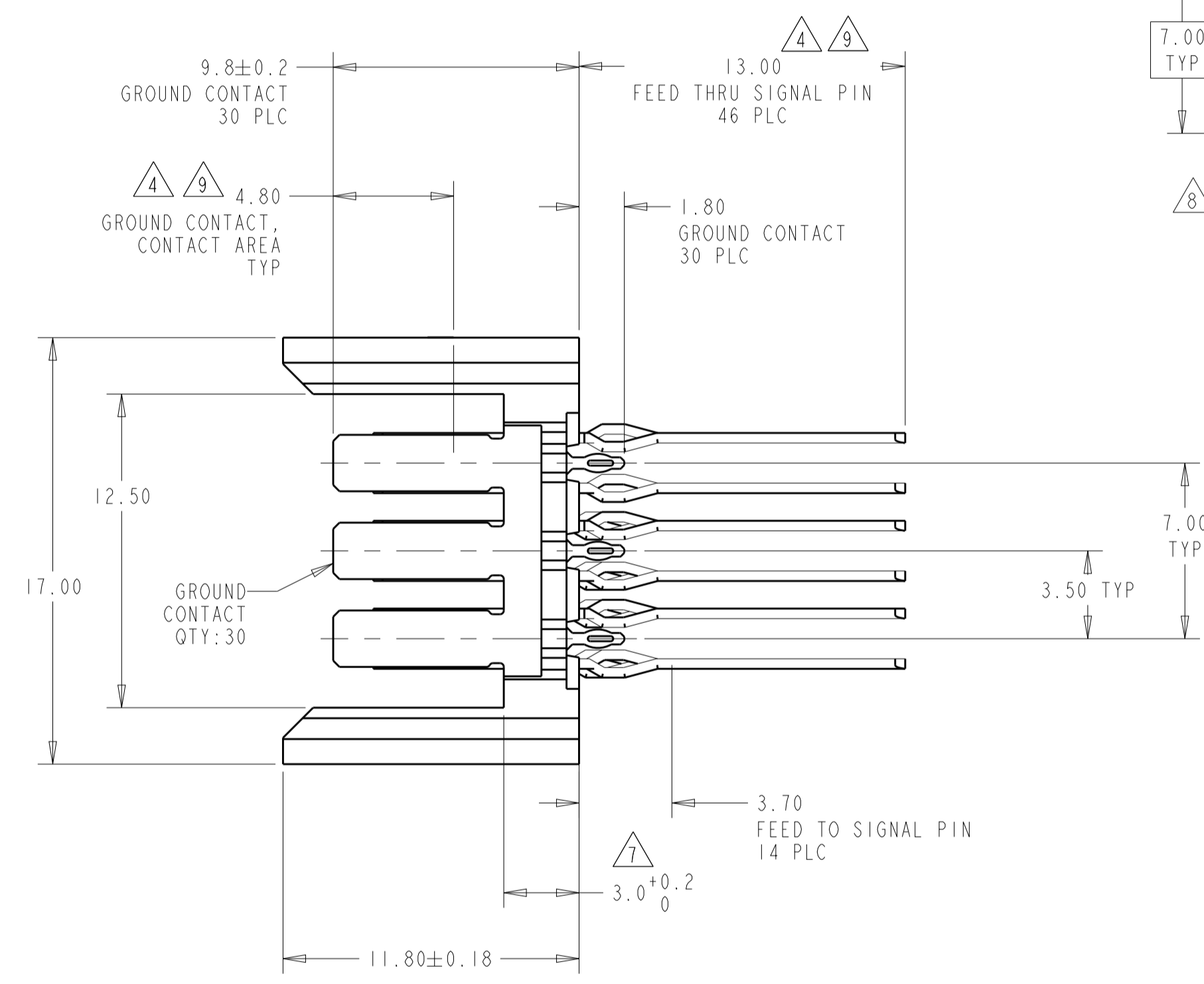
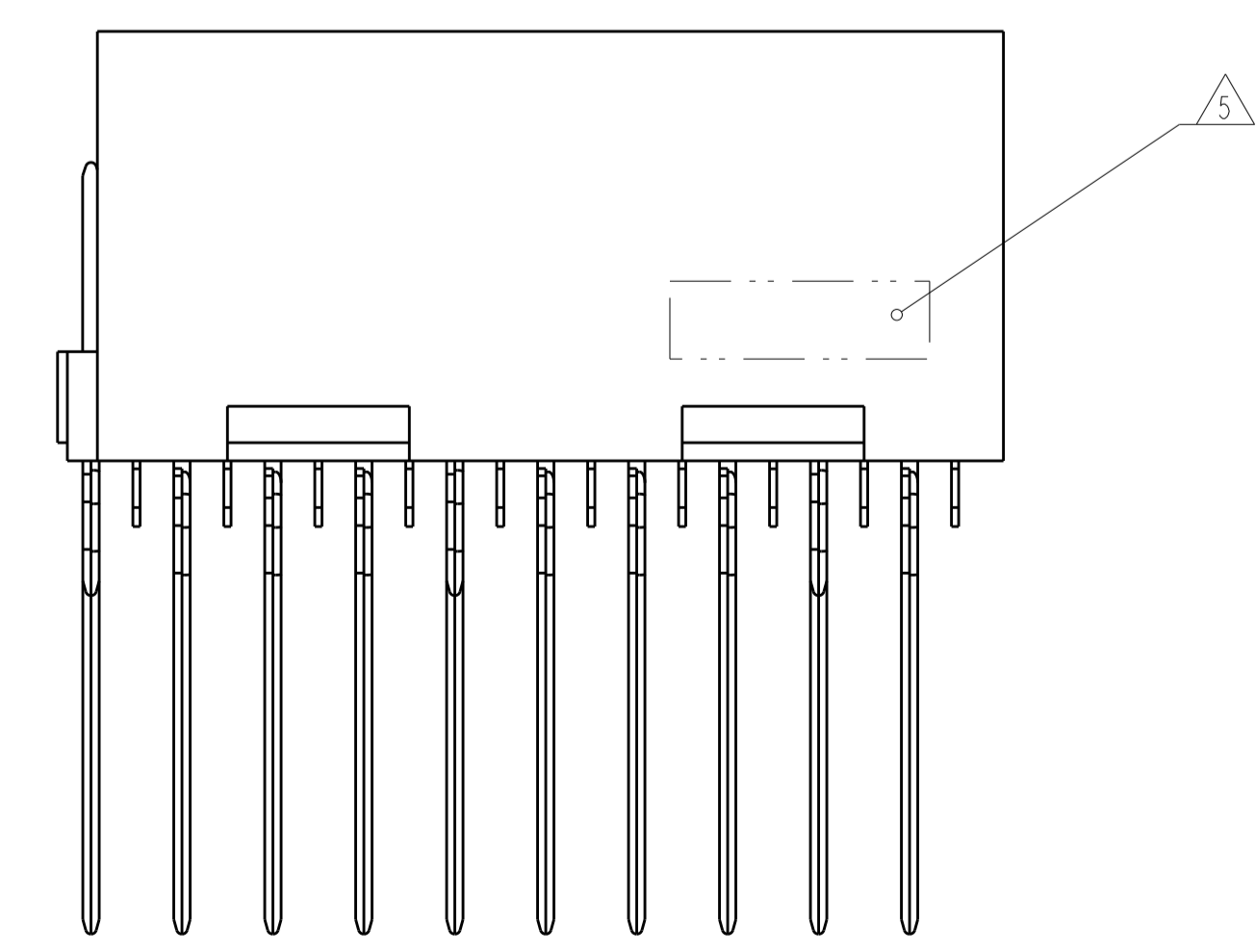
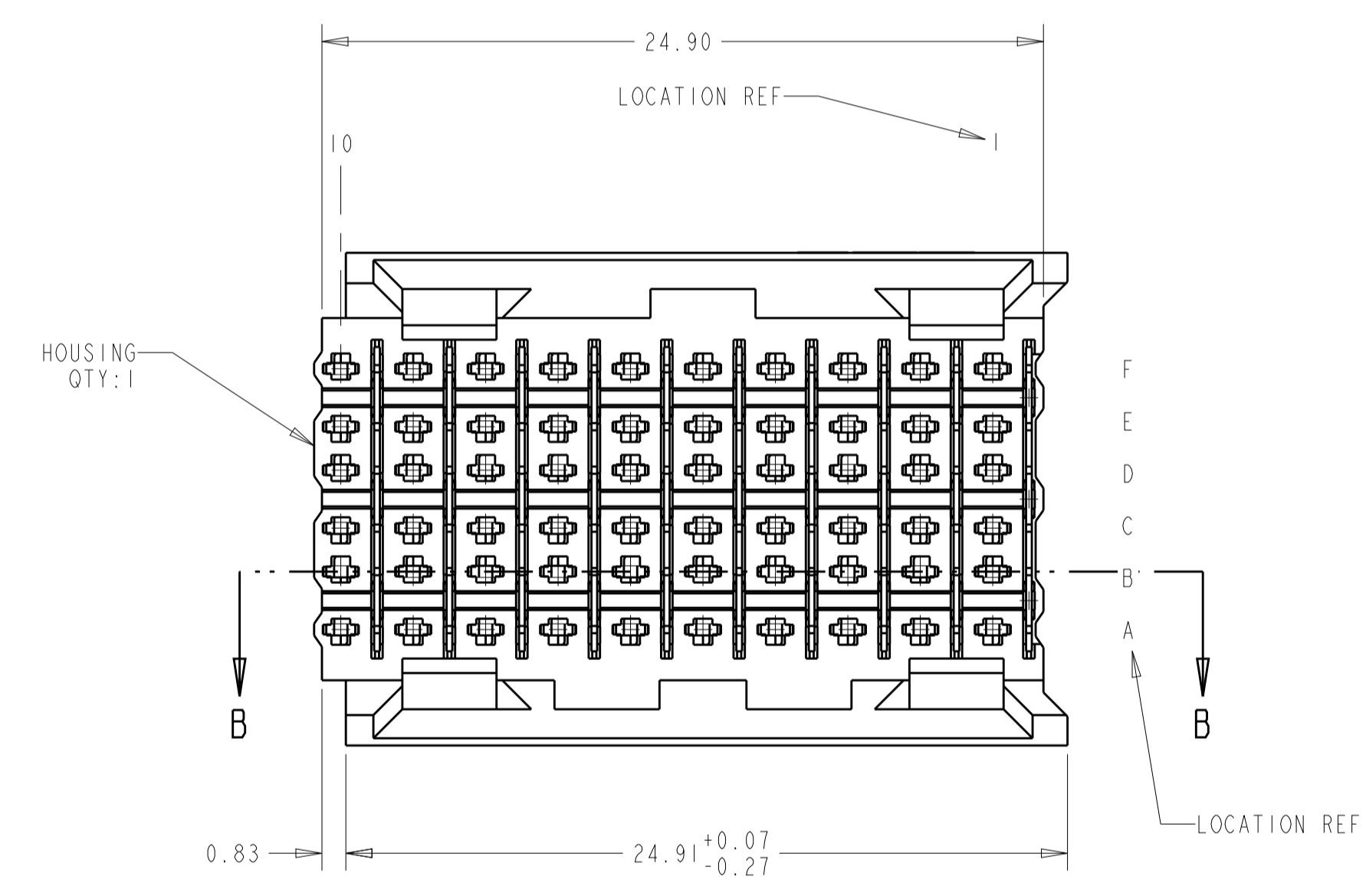
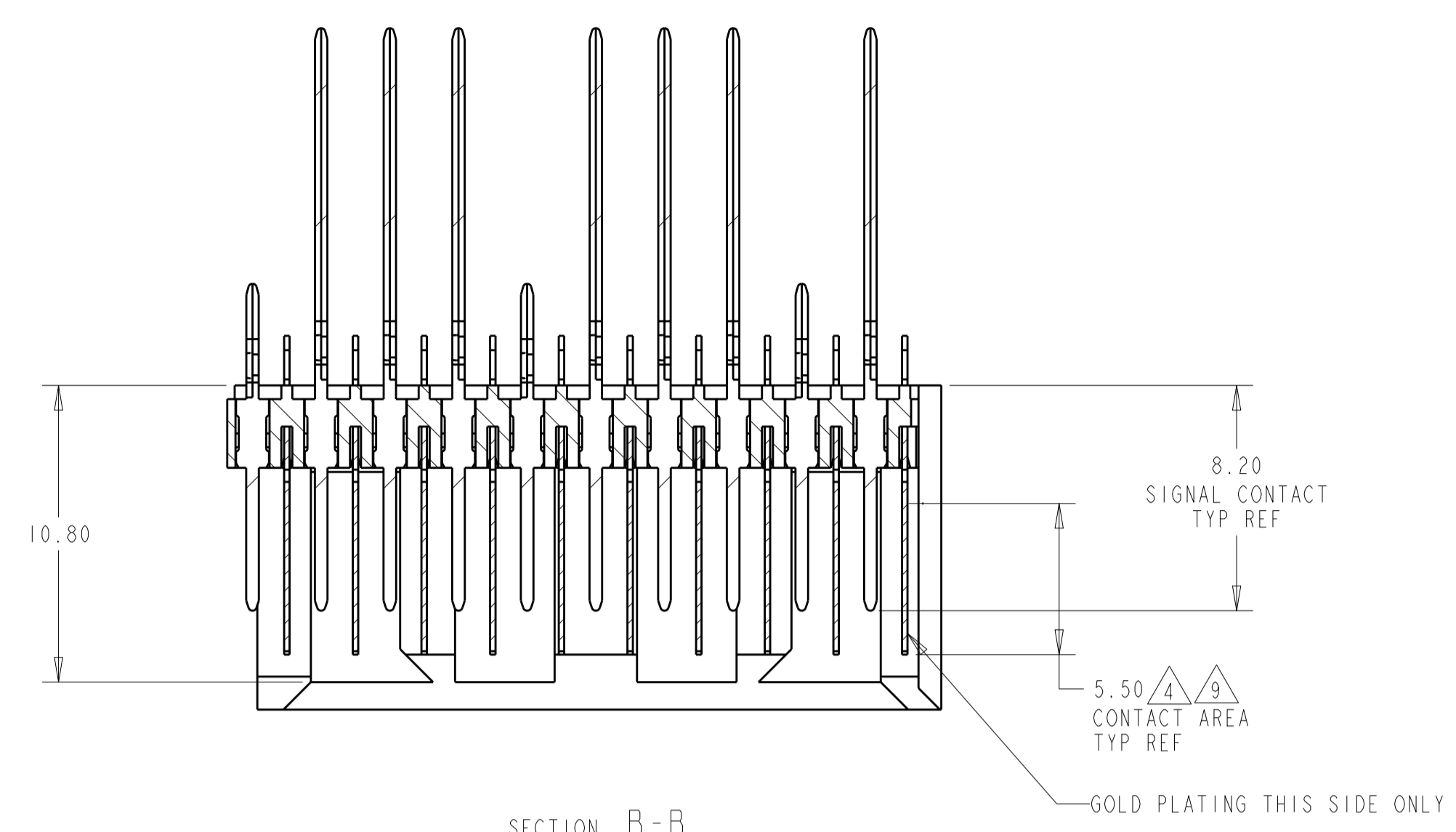


LOC	DIST	REV	DESCRIPTION	DATE	DWN	APVD
AD	00	C	REVISED PER ECO-12-006972	23AUG2012	KH	JE

- 2 PHOSPHOR BRONZE
- 3 LCP, UL94V-0
- 4 FINISH: CONTACT MATING AREA MEETS THE PERFORMANCE REQUIREMENTS OF TE CONNECTIVITY PRODUCT SPECIFICATION 108-1957; BASED ON TELCORDIA GR-1217-CORE; APPLICATIONS IN UNCONTROLLED ENVIRONMENTS. COMPLIANT PIN AREA: 0.5µm MIN BRIGHT TIN-LEAD OVER BASE PLATING.
- 5 CONNECTOR MARKED WITH PART NUMBER AND DATE CODE
- 6 REFERENCE APPLICATION SPEC 114-13020 FOR RECOMMENDED PLATED THRU HOLE DIAMETER AND PLATING THICKNESS.
- 7 APPLICATION SEATING HEIGHT TO PRINTED CIRCUIT BOARD
- 8 DATUMS AND BASIC DIMENSIONS ESTABLISHED BY CUSTOMER
- 9 CONTACT AREA LUBRICATED WITH BELLCORE APPROVED LUBRICANT. TECHNICAL REFERENCE: GR-1217-CORE, ISSUE 1, NOVEMBER 1995



120995-1
PART NUMBER

THIS DRAWING IS A CONTROLLED DOCUMENT.		DWN: R. IREDA 19FEB2007	TE Connectivity
DIMENSIONS: mm		CHK: R. PATTERSON 19FEB2007	
TOLERANCES UNLESS OTHERWISE SPECIFIED:		APVD: R. PATTERSON 19FEB2007	NAME: HEADER ASSEMBLY, 60 POSITION, 6 ROW, FEED THROUGH, BACKPLANE CONNECTOR, Z-PACK HS3
0 PLC ± 1 PLC ±0.13 2 PLC ±0.05 3 PLC ±0.05 4 PLC ± ANGLES ±		PRODUCT SPEC	
MATERIAL: HOUSING: 3		APPLICATION SPEC	SIZE: A1
CONTACTS: 2		WEIGHT	CAGE CODE: 00779
SIGNAL CONTACT: 4		CUSTOMER DRAWING	DRAWING NO: 120995
		SCALE: 5:1	SHEET 1 OF 1
			REV C