

| LOC | DIST | REV | DATE | BY | CHKD | APVD |
|-----|------|-----|-----------|----|------|------|
| GP | 00 | B1 | 11MAR2011 | RK | HMR | |

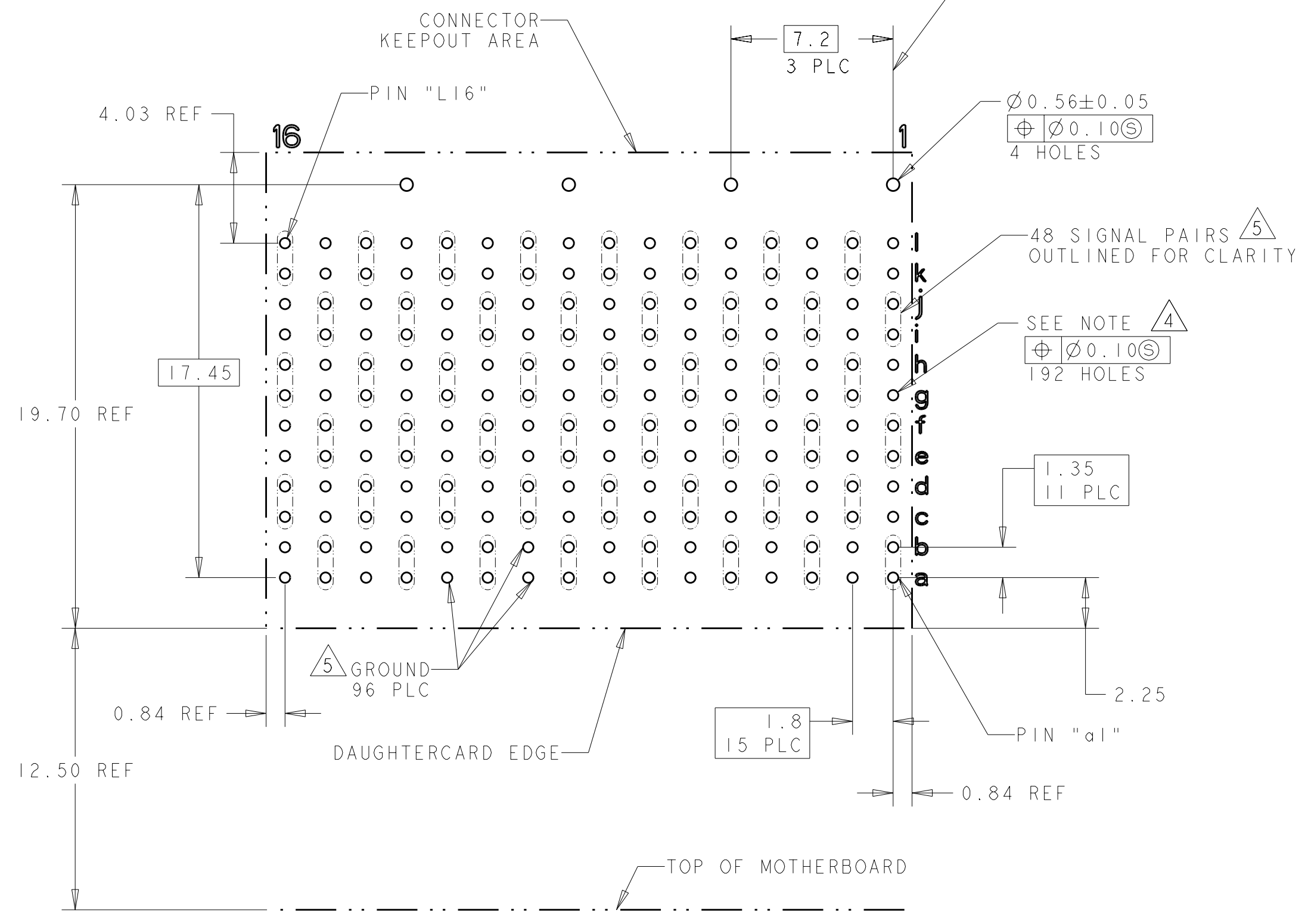
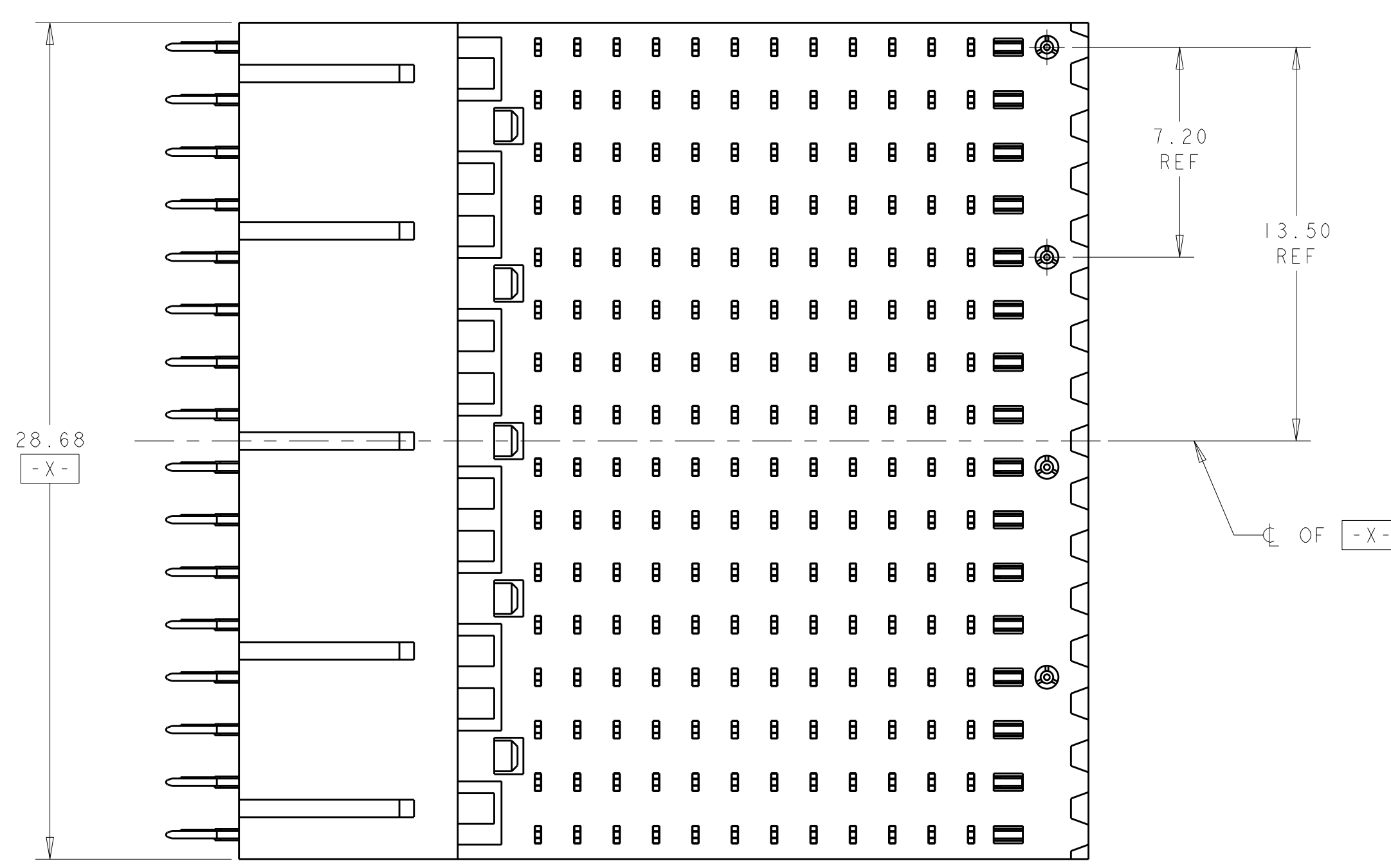
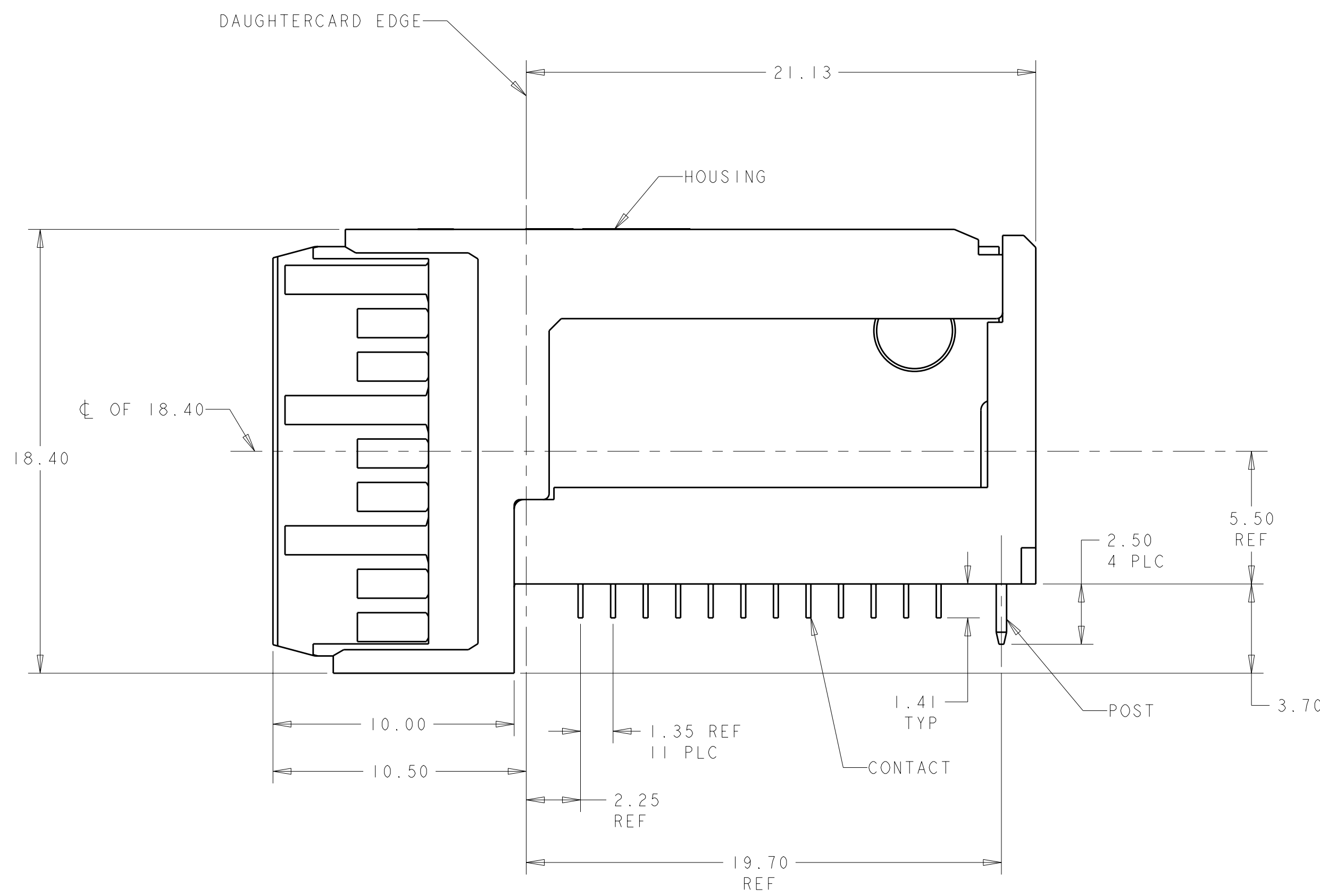
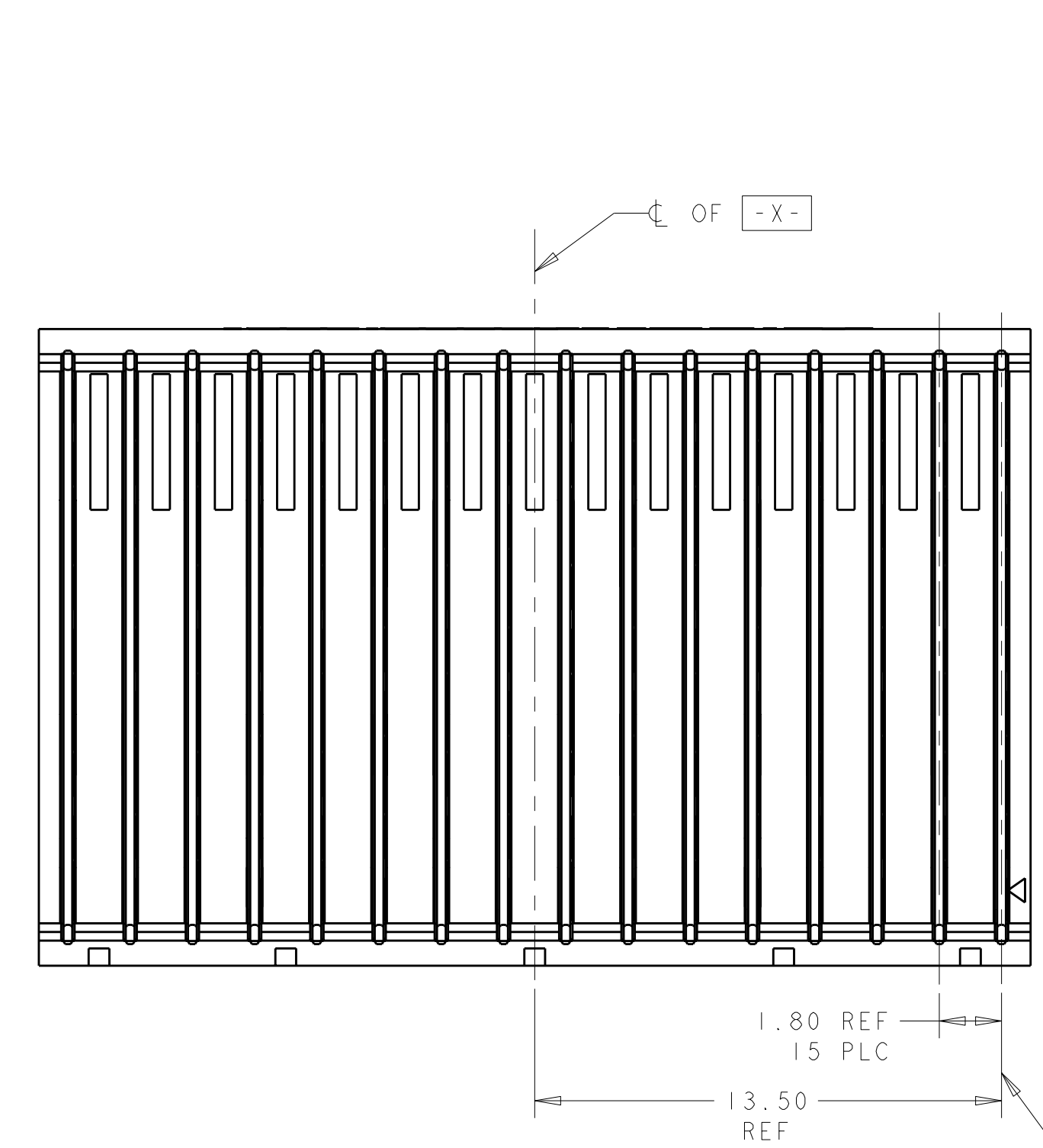
- 1 HOUSING: LCP, UL94V0, COLOR: BLACK.
CONTACT: PHOSPHOR BRONZE.
POST: BRASS WIRE
- 2 CONTACT: 0.76µm MIN GOLD IN CONTACT AREA.
1.27µm MIN. TIN-LEAD ON PCB TAIL
OVER 1.27µm MIN. NICKEL OVER ALL.
POST: 1.27µm MIN NICKEL PLATED.
- 3 CONTACT: 0.76µm MIN GOLD IN CONTACT AREA.
1.27µm MIN. TIN ON PCB TAIL
OVER 1.27µm MIN. NICKEL OVER ALL.
POST: 1.27µm MIN NICKEL PLATED.
- 4 MANUFACTURING TOLERANCE FOR:
Ø0.46±0.05 FINISHED HOLE WITH Sn PB PLATING:
DRILLED HOLE = Ø0.55±0.02
COPPER PLATING = 0.025-0.050
Sn PB PLATING = 0.0038-0.0124
OR
Ø0.475±0.05 FINISHED HOLE WITHOUT Sn PB PLATING:
DRILLED HOLE = Ø0.55±0.02
COPPER PLATING = 0.025-0.050
- 5 SEE TABLE 1 FOR INTERCONNECTIONS TO
BACKPLANE CONNECTOR.

TABLE 1
INTERCONNECTIONS WITH BACKPLANE CONNECTOR 1410140

| TYPICAL INTERCONNECTIONS FOR EACH EVEN-NUMBERED COLUMN (WAFER): 2, 4, 6, 8, 10, 12, 14, 16 | | |
|--|---|-------------------------|
| CONTACT USAGE | DAUGHTERCARD CONNECTOR PIN | BACKPLANE CONNECTOR PIN |
| SIGNAL PAIR | c x | b x |
| | d x | c x |
| SIGNAL PAIR | g x | e x |
| | h x | f x |
| SIGNAL PAIR | k x | h x |
| | l x | i x |
| GROUPS | a x, b x, e x, f x, i x, j x (ALL COMMONED) | a x, d x, g x |

| TYPICAL INTERCONNECTIONS FOR EACH ODD-NUMBERED COLUMN (WAFER): 1, 3, 5, 7, 9, 11, 13, 15 | | |
|--|---|-------------------------|
| CONTACT USAGE | DAUGHTERCARD CONNECTOR PIN | BACKPLANE CONNECTOR PIN |
| SIGNAL PAIR | a x | a x |
| | b x | b x |
| SIGNAL PAIR | e x | d x |
| | f x | e x |
| SIGNAL PAIR | i x | g x |
| | j x | h x |
| GROUPS | c x, d x, g x, h x, k x, l x (ALL COMMONED) | c x, f x, i x |

NOTE: "x" DESIGNATES THE COLUMN NUMBER



PC BOARD LAYOUT (CONNECTOR SIDE)
SCALE 5:1

| | |
|-----------|-----------|
| 1410137-2 | 1410137-1 |
| PLATING | PART NO |

THIS DRAWING IS A CONTROLLED DOCUMENT.

| | | | |
|-------------|--|-----------------------------|-----------------|
| DIMENSIONS: | TOLERANCES UNLESS OTHERWISE SPECIFIED: | OWN: R. TREA 05NOV2002 | DATE: 05NOV2002 |
| mm | 0 PLC ± | CHK: J. CONSOLI 18NOV2002 | DATE: 18NOV2002 |
| | 1 PLC ±0.5 | APVD: G. GRIFFITH 14MAR2006 | DATE: 14MAR2006 |
| | 2 PLC ±0.13 | PRODUCT SPEC | |
| | 3 PLC ± | APPLICATION SPEC | |
| | 4 PLC ± | SIZE: 114-13056 | |
| | ANGLES ±1° | WEIGHT | |
| MATERIAL | FINISH | SEE TABLE | |

RIGHT-ANGLE PLUG ASSEMBLY
CENTER, 20.3mm, MultiGig RT2,
DIFFERENTIAL, DAUGHTERCARD CONNECTOR

SCALE 5:1 SHEET 1 OF 1 REV B1