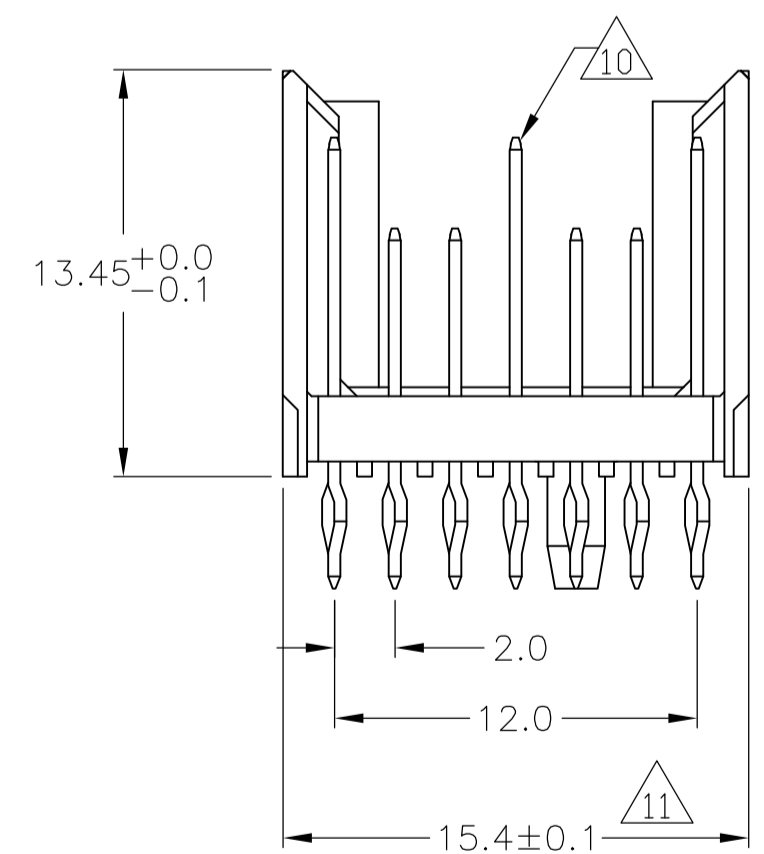
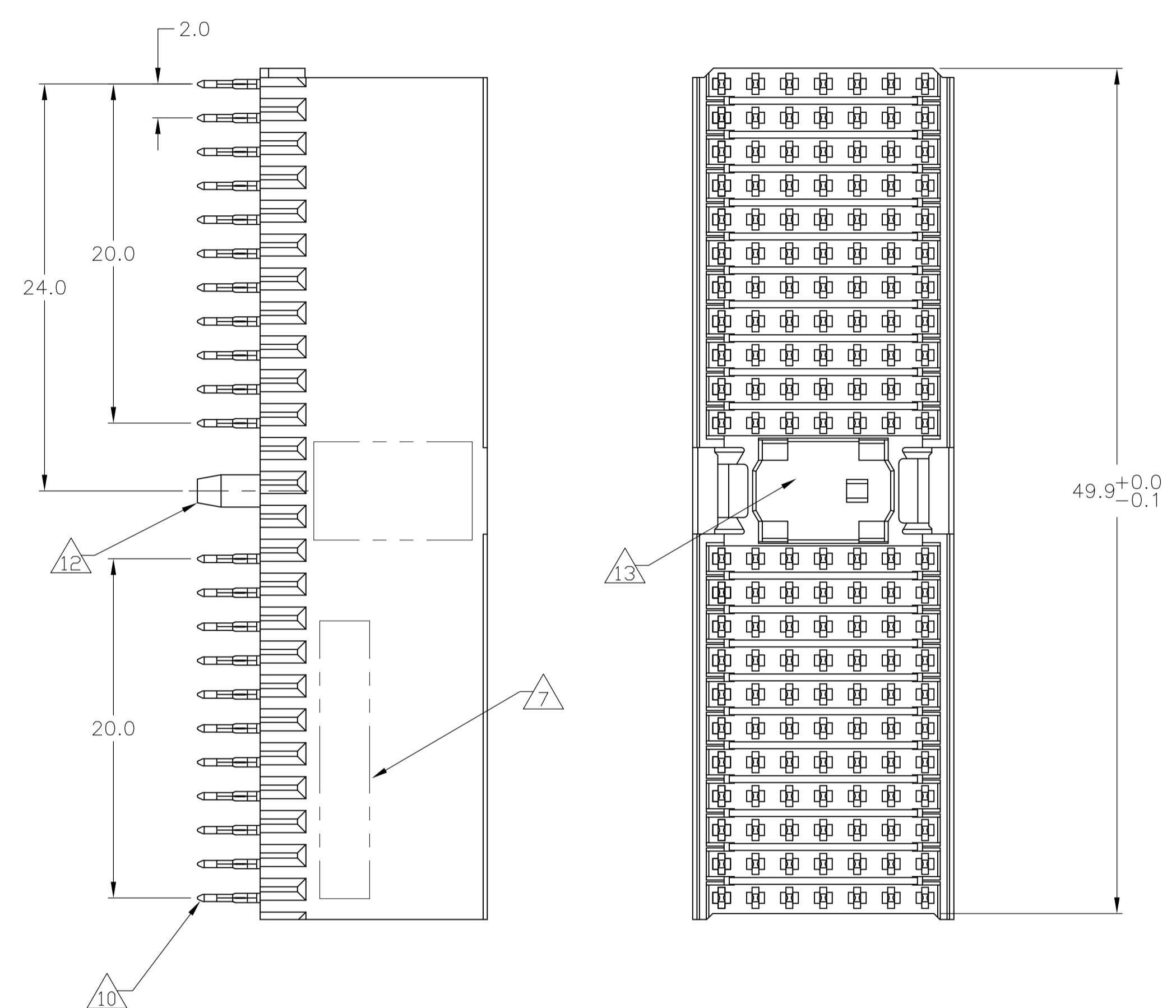


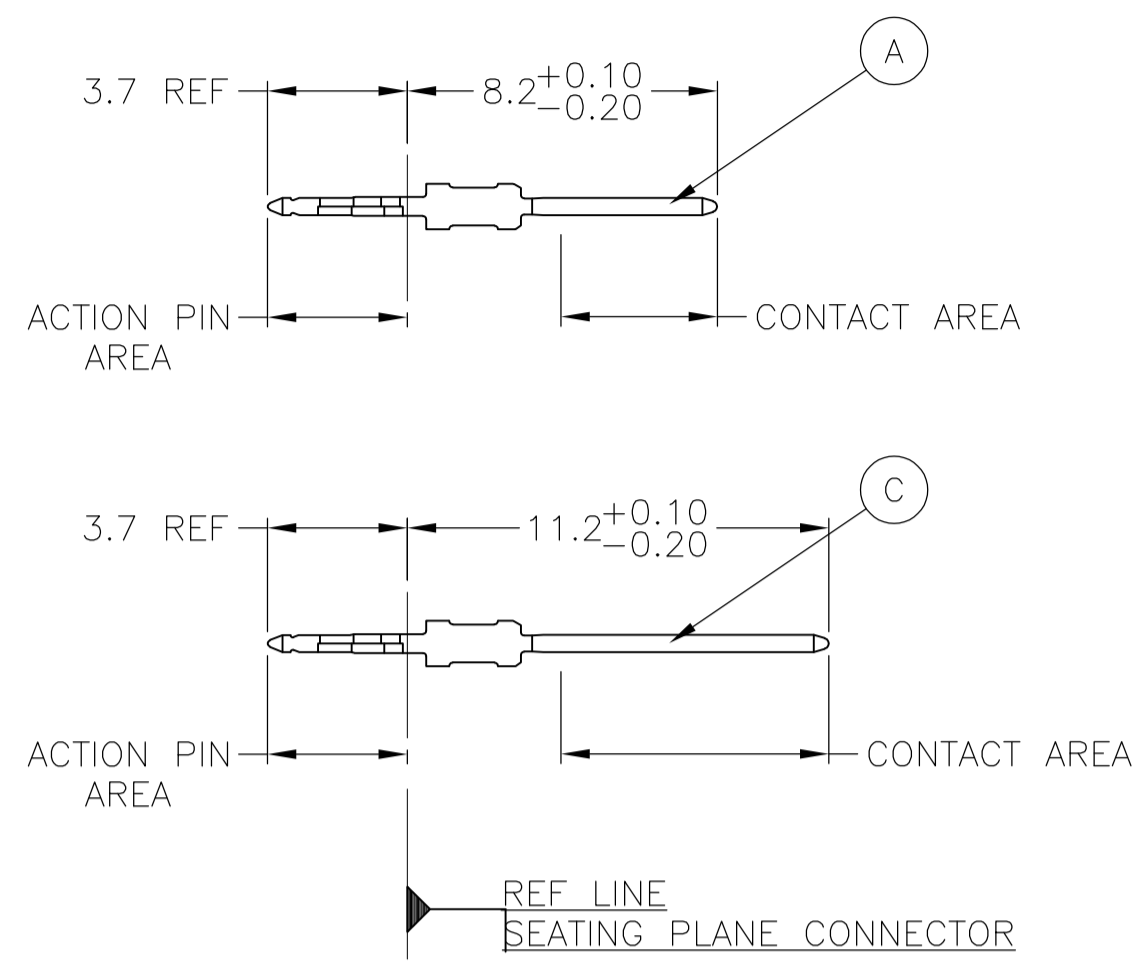
LOC		DIST		REVISIONS			
P	LTR	DESCRIPTION	DATE	DMN	APVD		
B		REVISED PER ECN 0S12-0304-05	13JUN06	JDP	GES		
C		ECR-10-019054	15SEP10	SW	MQW		
D		ECR-12-009853	25NOV12	SY	AC		

CONNECTOR ASSEMBLY EXAMPLARY LOADED



CONTACT DIMENSIONS

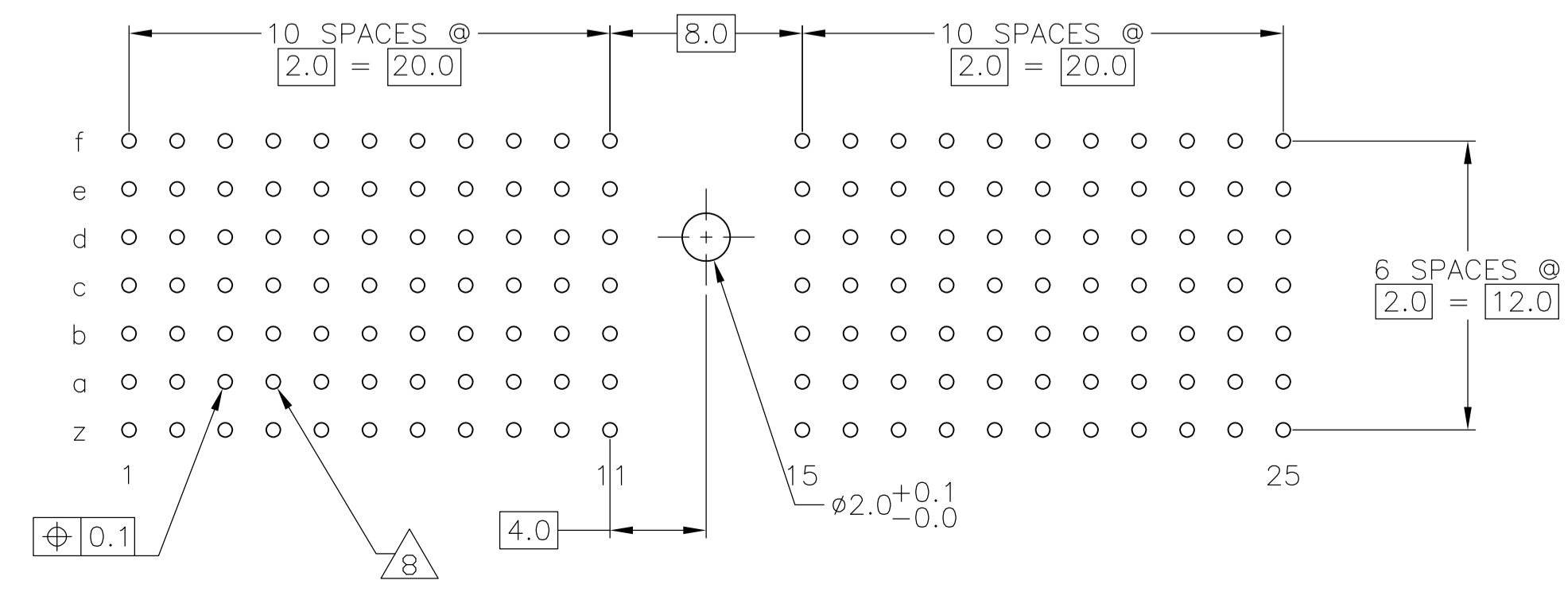
SCALE 5:1



CONTACT LAYOUT

	z	a	b	c	d	e	f
1	C	A	A	C	A	A	C
2	C	A	A	C	A	A	C
3	C	A	A	C	A	A	C
4	C	A	A	C	A	A	C
5	C	A	A	C	A	A	C
6	C	A	A	C	A	A	C
7	C	A	A	C	A	A	C
8	C	A	A	C	A	A	C
9	C	A	A	C	A	A	C
10	C	A	A	C	A	A	C
11	C	A	A	C	A	A	C
MULTI PURPOSE CENTER							
15	C	A	A	C	A	A	C
16	C	A	A	C	A	A	C
17	C	A	A	C	A	A	C
18	C	A	A	C	A	A	C
19	C	A	A	C	A	A	C
20	C	A	A	C	A	A	C
21	C	A	A	C	A	A	C
22	C	A	A	C	A	A	C
23	C	A	A	C	A	A	C
24	C	A	A	C	A	A	C
25	C	A	A	C	A	A	C

RECOMMENDED PCB-HOLE LAYOUT COMPONENT SIDE SHOWN



PLATED THRU HOLES PARAMETERS


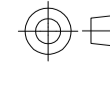
REFERENCE APPLICATION SPECIFICATION

OBSOLETE	2 6 14	1-188829-9
	2 5 14	188829-9
	2 4	188829-4
	2 3	188829-1
FINISH	PART NUMBER	

THIS DRAWING IS A CONTROLLED DOCUMENT.

DIMENSIONS: mm	TOLERANCES UNLESS OTHERWISE SPECIFIED: 0-PLC ± 1-PLC ±0.1 2-PLC ± 3-PLC ± 4-PLC ± ANGLES ±	DIN B CARBO 26AUG05 GSKIPPER 26AUG05 GSKIPPER 26AUG05	Tyco Electronics Corporation Harrisburg, Pa 17105-3608
MATERIAL	FINISH SEE TABLE	NAME 108-19082 APPLICATION SPEC 114-19029	MALE ASSEMBLY, Z-PACK 2mm HM, TYPE A
WEIGHT	SCALE 4:1	SIZE CASE CODE DRAWING NO A1 00779 C=188829	RESTRICTED TO
CUSTOMER DRAWING	SHEET 1 OF 2	REV D	

- 1 MATERIAL:
CONTACT: PHOSPHOR BRONZE.
HOUSING: GLASS-FILLED POLYESTER.
- 2 GENERAL PLATING SPECIFICATION: UNDERPLATING
(ENTIRE CONTACT): 1.27µm MIN NICKEL AND ACTION
PIN: 0.5µm MIN TIN/LEAD.
FOR PLATING OF MATING SURFACES SEE APPLICABLE
SPECIFICATION REFERENCE FOR EACH DASH NUMBER.
- 3 CONFORMS TO ALL TESTING ACCORDING TO IEC 61076-4-101
PERFORMANCE LEVEL 2.
- 4 CONFORMS TO ALL TESTING ACCORDING TO IEC 61076-4-101
PERFORMANCE LEVEL 1.
- 5 CONNECTOR TESTED AND QUALIFIED AGAINST TELCORDIA GR-1217-CORE QUALITY LEVEL 3,
CENTRAL OFFICE APPLICATIONS.
- 6 CONNECTOR TESTED AND QUALIFIED AGAINST TELCORDIA GR-1217-CORE QUALITY LEVEL 3,
UNCONTROLLED ENVIROMENT APPLICATIONS.
- 7 CONNECTOR MARKED WITH PART NUMBER AND DATE CODE.
ADDITIONAL CHARACTERS OR MARKINGS, AS WELL AS THE LOCATION OF THE MARKINGS,
MAY BE ADDED FOR TRACEABILITY BASED UPON MANUFACTURERS DISCRETION.
- 8 PLATED-THROUGH HOLES AT 2x2mm SQUARE GRID
PATTERN DEFINED BY CONTACT LAYOUT.
- 9 FOR ACTUAL PIN LOADING SEE "CONTACT LAYOUT".
- 10 FOR ACTUAL PIN DIMENSIONS SEE "CONTACT DIMENSIONS".
- 11 TO BE MEASURED AT BOTTOM OF SHROUD.
- 12 POLARIZATION FEATURE.
- 13 AREA RESERVED FOR KEYING PART (BASIC P/N 100525).
- 14 CONNECTOR LUBRICATED WITH BELCORE APPROVED LUBRICANT,
TECHNICAL REFERENCE: TR-NWT-001217 ISSUE 1, SEP 1992.

THIS DRAWING IS A CONTROLLED DOCUMENT.		DIN E CARBO	26AUG05	 Tyco Electronics Corporation Harrisburg, Pa 17105-3608
		CHK G SKIPPER	26AUG05	
DIMENSIONS: mm		TOLERANCES UNLESS OTHERWISE SPECIFIED:		NAME
		0-PLC ±	±0.2	108-19082
		1-PLC ±		APPLICATION SPEC
		2-PLC ±		114-19029
		3-PLC ±		SIZE
		4-PLC ±		CAGE CODE
		ANGLES ±		DRAWING NO
MATERIAL SEE SHEET 1	FINISH SEE SHEET 1	WEIGHT		A1 00779
		CUSTOMER DRAWING		RESTRICTED TO
		SCALE 4:1		SHEET 2 OF 2
				REV D