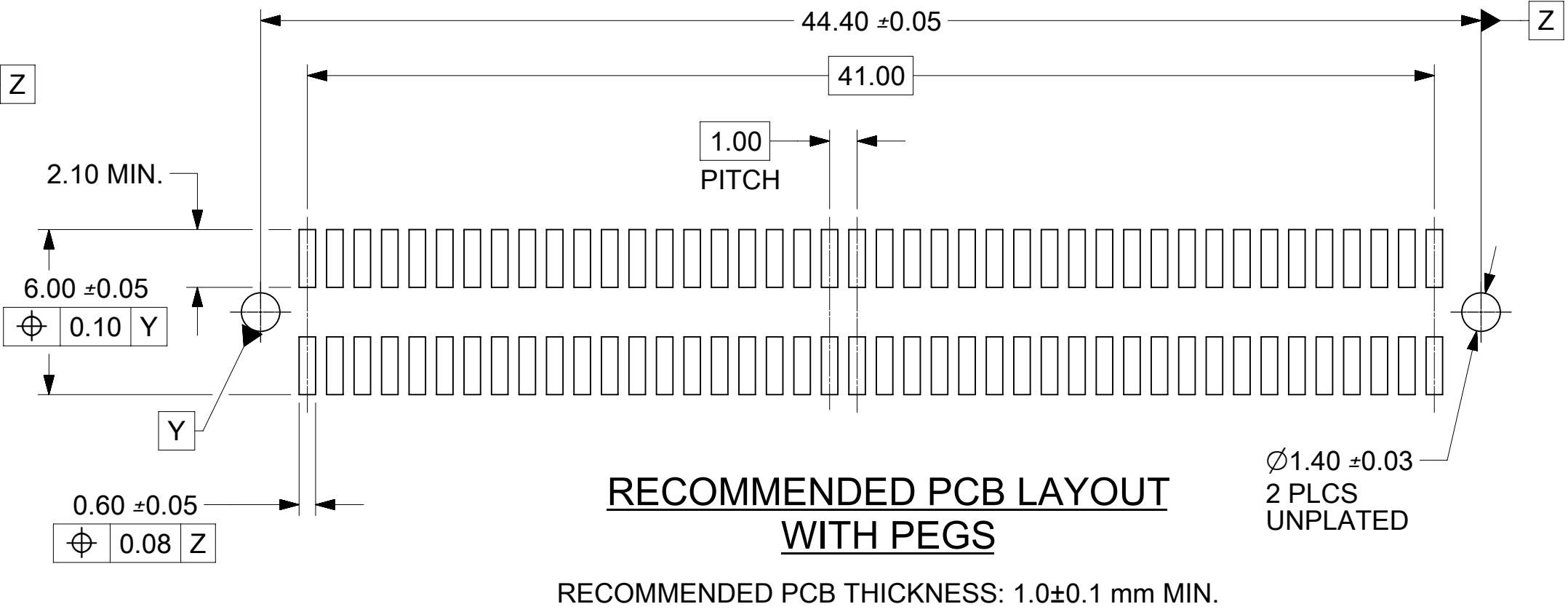
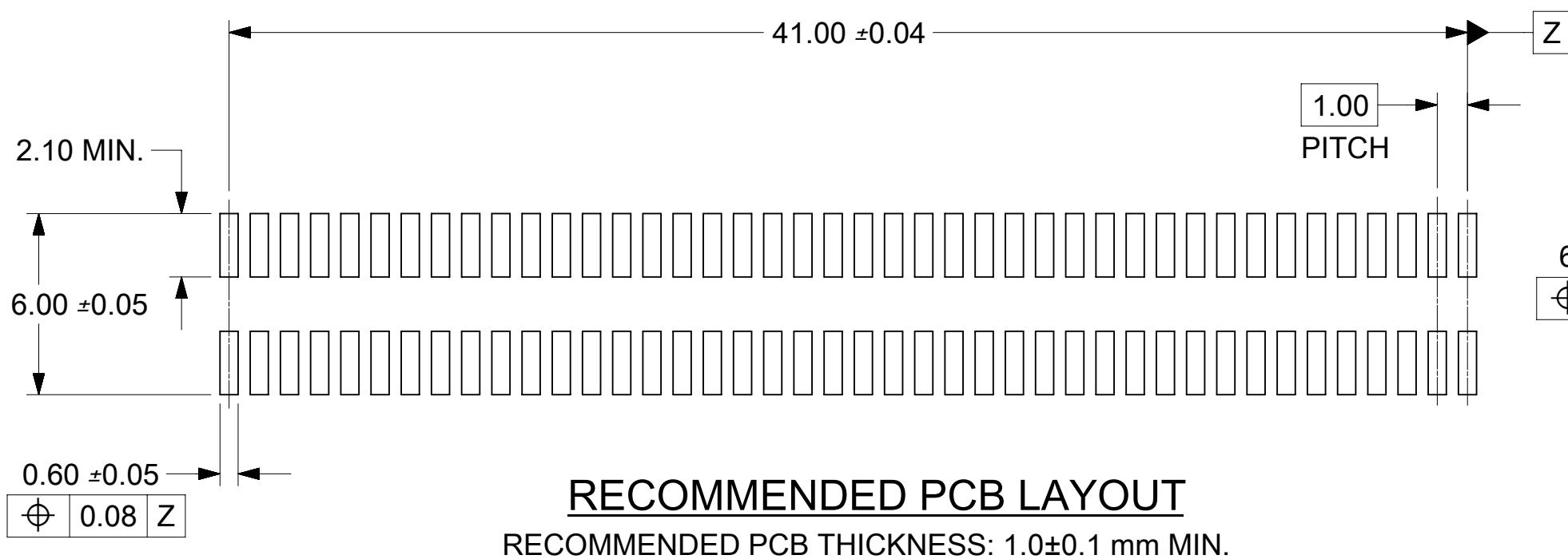
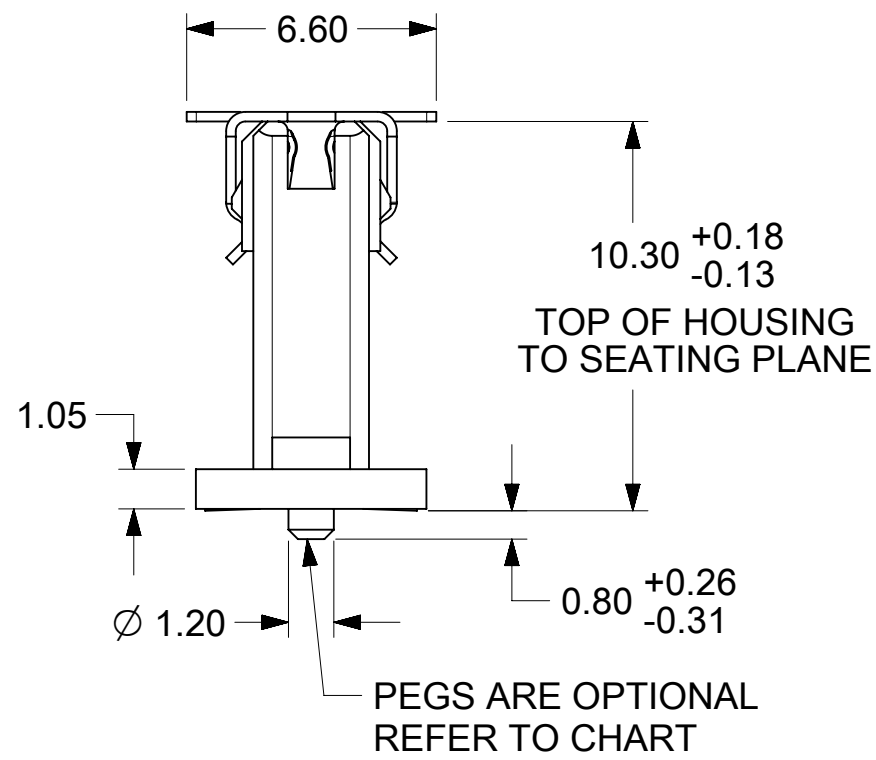
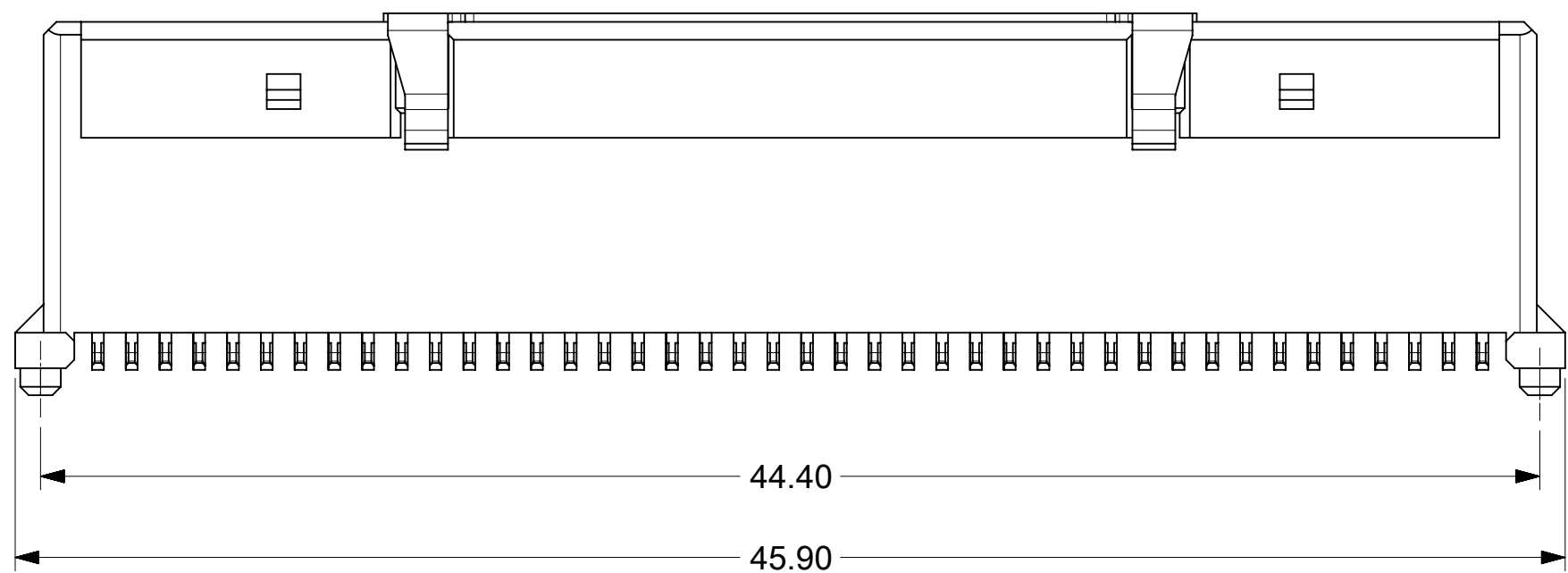


NOTES:

- HOUSING MATERIAL: GLASS FILLED LIQUID CRYSTAL POLYMER(LCP);
UL RATING : 94V-0 ; COLOR; WHITE (NATURAL).
TERMINAL MATERIAL: PHOSPHOR BRONZE.
VACUUM CAP MATERIAL : STAINLESS STEEL.
- THIS PART CONFORMS TO MOLEX PRODUCT SPECIFICATION PS-71741-9999.
- PACKAGING SPECIFICATIONS : REFER TO TABLE.



PLATINGS:

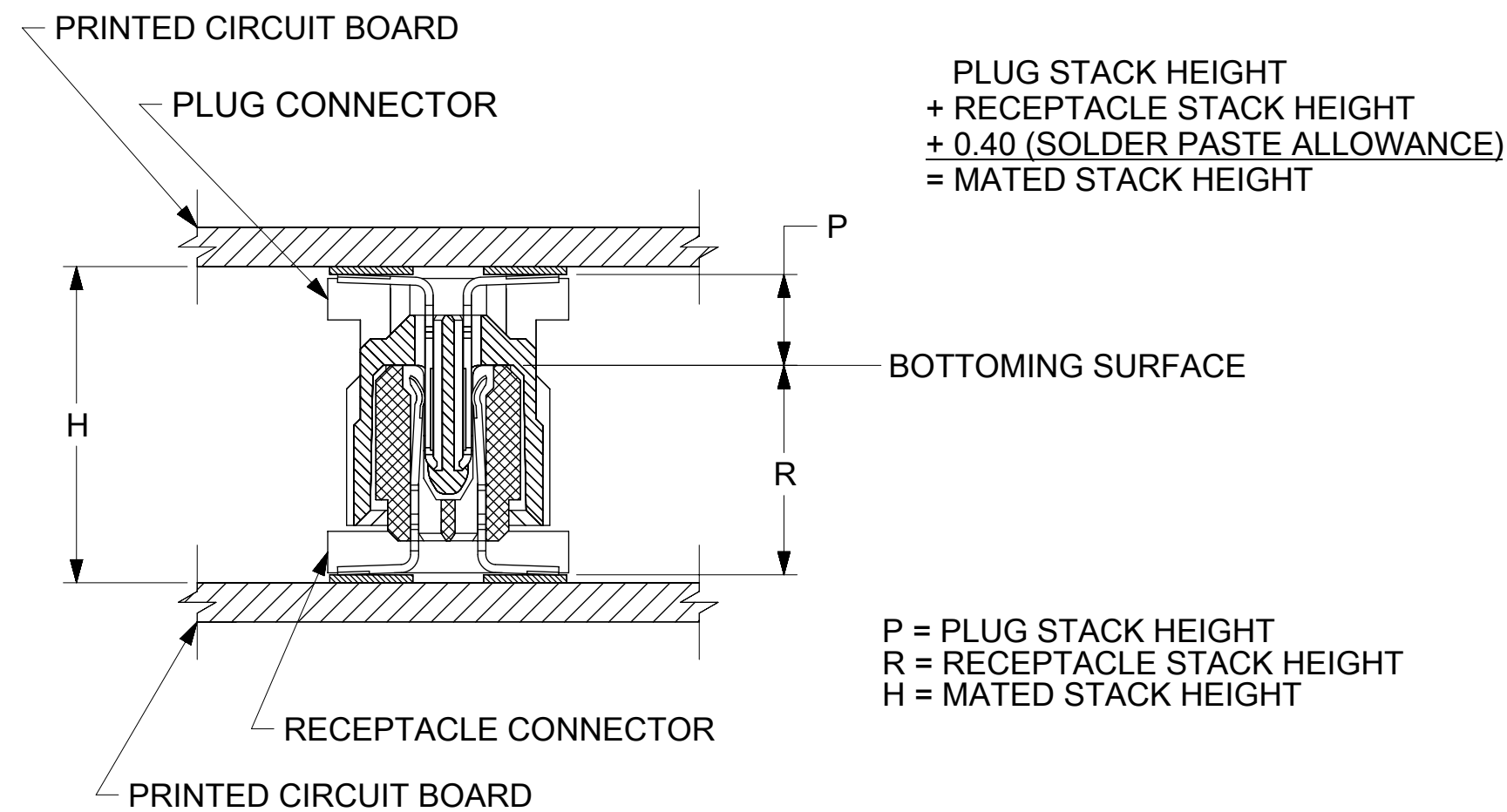
- X21 - .76 MICROMETERS MINIMUM GOLD PLATE IN SELECT AREA, 1.91 MICROMETERS MINIMUM TIN PLATE IN SELECT AREA, OVER NICKEL UNDERPLATE.
- X71 - .25 MICROMETERS MINIMUM GOLD PLATE IN SELECT AREA, 1.02 MICROMETERS MINIMUM TIN PLATE IN SELECT AREA, OVER NICKEL UNDERPLATE.

THIS DRAWING CONTAINS INFORMATION THAT IS PROPRIETARY TO MOLEX ELECTRONIC TECHNOLOGIES, LLC AND SHOULD NOT BE USED WITHOUT WRITTEN PERMISSION									
SYMBOLS	DIMENSION UNITS	SCALE	CURRENT REV DESC: REDRAWN IN NX						
▽ = 0	mm	5:1	molex SALES ASSY, 1.0MM 84 CKT BTB RECEPTACLE CONNECTOR 10.30 STACK HEIGHT PRODUCT CUSTOMER DRAWING EC NO: 610884 DRWN: TTAO03 2018/12/10 CHK'D: JKACHLIC 2019/02/01 APPR: JKACHLIC 2019/02/01 INITIAL REVISION: DRWN: JRR 95/08/14 APPR: CAB 95/08/14						
▽ = 0	GENERAL TOLERANCES (UNLESS SPECIFIED)								
▽ = 0	ANGULAR TOL ± 0.5°								
▽ = 0	4 PLACES ±								
▽ = 0	3 PLACES ±								
▽ = 0	2 PLACES ± 0.13								
▽ = 0	1 PLACE ± 0.25		DOCUMENT NUMBER	DOC TYPE	DOC PART	REVISION	717423000 PSD 000 A1		
⊠ = 0	DRAFT WHERE APPLICABLE MUST REMAIN WITHIN DIMENSIONS		THIRD ANGLE PROJECTION	DRAWING	SERIES	MATERIAL NUMBER	CUSTOMER	SHEET NUMBER	
▽ = 0			C-SIZE	71742	SEE TABLE	GENERAL MARKET	1 OF 2		

PART NUMBER	PEGS	PICK & PLACE CAP	PACKAGING SPEC. NUMBER	PACKAGING TYPE	TERMINAL PLATING SEE SHEET 1
71742-3004	YES	YES	PK-70873-063	TAPE & REEL	X21
71742-3003	YES	YES	PK-70873-063	TAPE & REEL	X71
71742-3001	NO	YES	PK-70873-063	TAPE & REEL	X71

RECOMMENDED PLUG/RECEPTACLE COMBINATION FOR
MATED STACK HEIGHT PER EIA STANDARD 700 AAAB

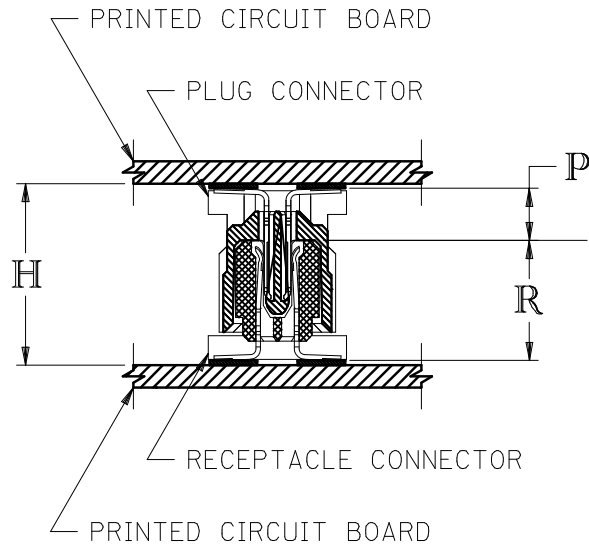
MATED STACK HEIGHT	RECEPTACLE HEIGHT	RECEPTACLE SERIES NO.	PLUG HEIGHT	PLUG SERIES NO.
15.00	10.30	71742-3***	4.30	71741-0***
13.00	10.30	71742-3***	2.30	71741-2***



SYMBOLS		THIS DRAWING CONTAINS INFORMATION THAT IS PROPRIETARY TO MOLEX ELECTRONIC TECHNOLOGIES, LLC AND SHOULD NOT BE USED WITHOUT WRITTEN PERMISSION									
DIMENSION UNITS	SCALE	CURRENT REV DESC: REDRAWN IN NX									
$\nabla = 0$	mm	EC NO: 610884		2018/12/10		molex				SALES ASSY, 1.0MM 84 CKT BTB RECEPTACLE CONNECTOR 10.30 STACK HEIGHT	
$\nabla = 0$	GENERAL TOLERANCES (UNLESS SPECIFIED)	DRWN: TTAO03		2019/02/01							
$\nabla = 0$	ANGULAR TOL $\pm 0.5^\circ$	CHK'D: JKACHLIC		2019/02/01		PRODUCT CUSTOMER DRAWING				DOCUMENT NUMBER	
$\nabla = 0$	4 PLACES \pm	APPR: JKACHLIC		2019/02/01		INITIAL REVISION:				DOC TYPE	
$\nabla = 0$	3 PLACES \pm	DRWN: JRR		95/08/14		DRWN: JRR				DOC PART	
$\nabla = 0$	2 PLACES ± 0.13	APPR: CAB		95/08/14		APPR: CAB				REVISION	
$\nabla = 0$	1 PLACE ± 0.25	DRAFT WHERE APPLICABLE MUST REMAIN WITHIN DIMENSIONS		THIRD ANGLE PROJECTION		DRAWING		SERIES		MATERIAL NUMBER	
$\nabla = 0$	0 PLACES \pm	C-SIZE		71742		SEE TABLE		CUSTOMER		SHEET NUMBER	

RECOMMENDED PLUG/RECEPTACLE COMBINATION FOR
MATED STACK HEIGHT PER EIA STANDARD 700 AAAB

MATED STACK HEIGHT	RECEPTACLE HEIGHT	RECEPTACLE SERIES NO.	PLUG HEIGHT	PLUG SERIES NO.
15.00/.591	10.30/.406	71742-3***	4.30/.169	71741-0***
13.00/.512	10.30/.406	71742-3***	2.30/..091	71741-2***



$$\begin{aligned}
 & \text{PLUG STACK HEIGHT} \\
 & + \text{RECEPTACLE STACK HEIGHT} \\
 & + 0.40/.016 \text{ (SOLDER PASTE ALLOWANCE)} \\
 & = \text{MATED STACK HEIGHT}
 \end{aligned}$$

P = PLUG STACK HEIGHT
R = RECEPTACLE STACK HEIGHT
H = MATED STACK HEIGHT

SEE SHEET 1 EC NO: UCP2009-2408 DRWN:BBARKER 2009/04/20 CHKD:JMORGAN 2009/04/20 APPR:SMILLER 2009/04/21	DESCRIPTION REV	QUALITY SYMBOLS	GENERAL TOLERANCES (UNLESS SPECIFIED) <table border="1"> <tr> <td></td> <td>mm</td> <td>INCH</td> </tr> <tr> <td>4 PLACES</td> <td>± .005</td> <td>± .0004</td> </tr> <tr> <td>3 PLACES</td> <td>± .005</td> <td>± .0004</td> </tr> <tr> <td>2 PLACES</td> <td>± 0.13</td> <td>± .005</td> </tr> <tr> <td>1 PLACE</td> <td>± 0.25</td> <td>± .010</td> </tr> </table> ANGULAR ±1/2°		mm	INCH	4 PLACES	± .005	± .0004	3 PLACES	± .005	± .0004	2 PLACES	± 0.13	± .005	1 PLACE	± 0.25	± .010	DIMENSION STYLE MM ONLY	SCALE DESIGN UNITS METRIC	THIRD ANGLE PROJECTION
				mm	INCH																
		4 PLACES		± .005	± .0004																
		3 PLACES		± .005	± .0004																
2 PLACES	± 0.13	± .005																			
1 PLACE	± 0.25	± .010																			
DRAWN BY WGM	DATE 97/08/04	TITLE SALES ASSY, 1.0MM 84 CKT BOARD-TO-BOARD RECPACLE 10.3 STACK HEIGHT																			
CHECKED BY	DATE	MOLEX MOLEX INCORPORATED																			
APPROVED BY DJB	DATE 97/08/04	MATERIAL NO. SEE TABLE	DOCUMENT NO. SDA-71742-3***																		

DRAFT WHERE APPLICABLE MUST REMAIN WITHIN DIMENSIONS

SIZE C THIS DRAWING CONTAINS INFORMATION THAT IS PROPRIETARY TO MOLEX INCORPORATED AND SHOULD NOT BE USED WITHOUT WRITTEN PERMISSION