

MATERIAL NUMBER	# OF COLUMNS	# OF DIFF PAIR	DIM "A" MAX	DIM "B"
76450-*10*	10	20	26.60	17.10
76450-*60*	16	32	38.00	28.50

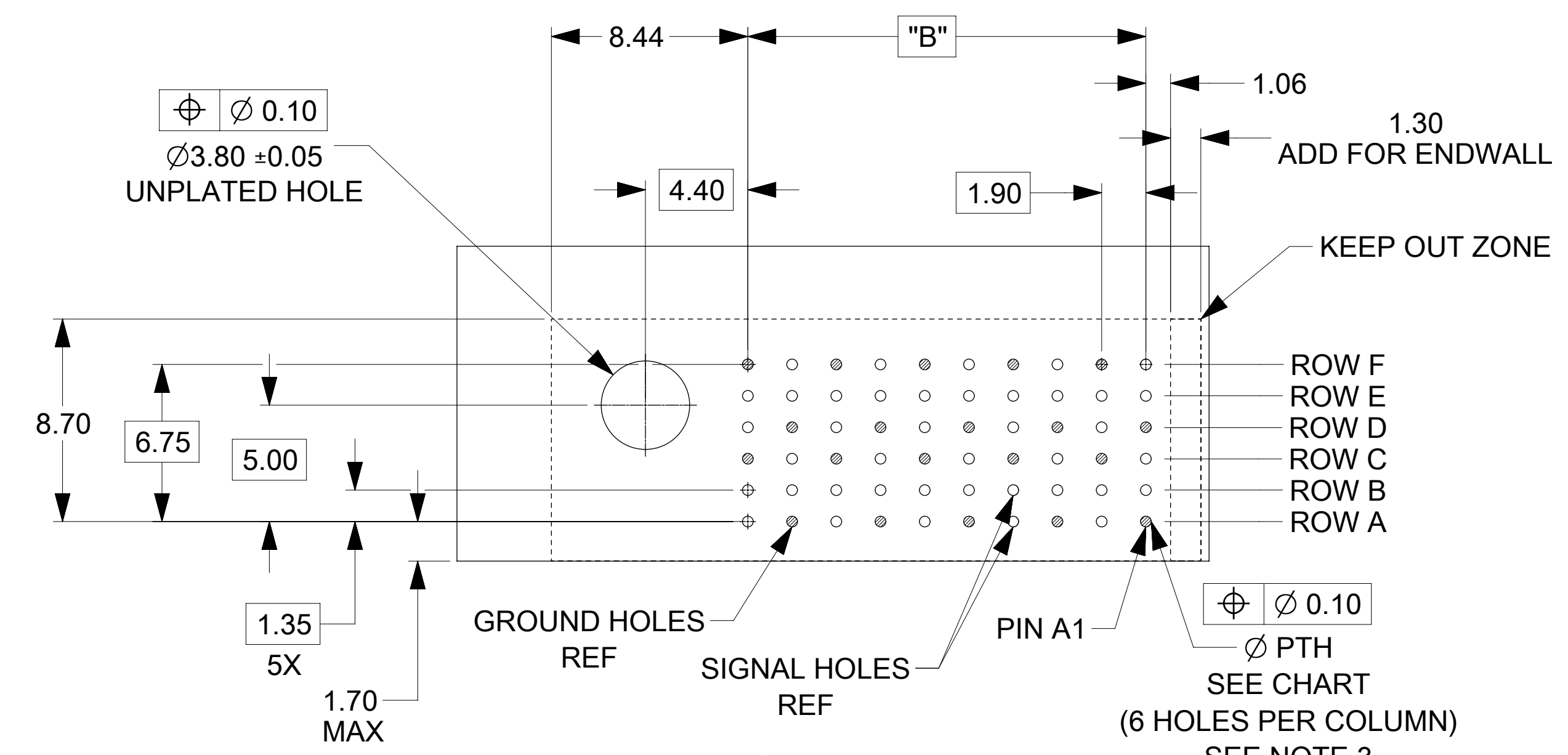
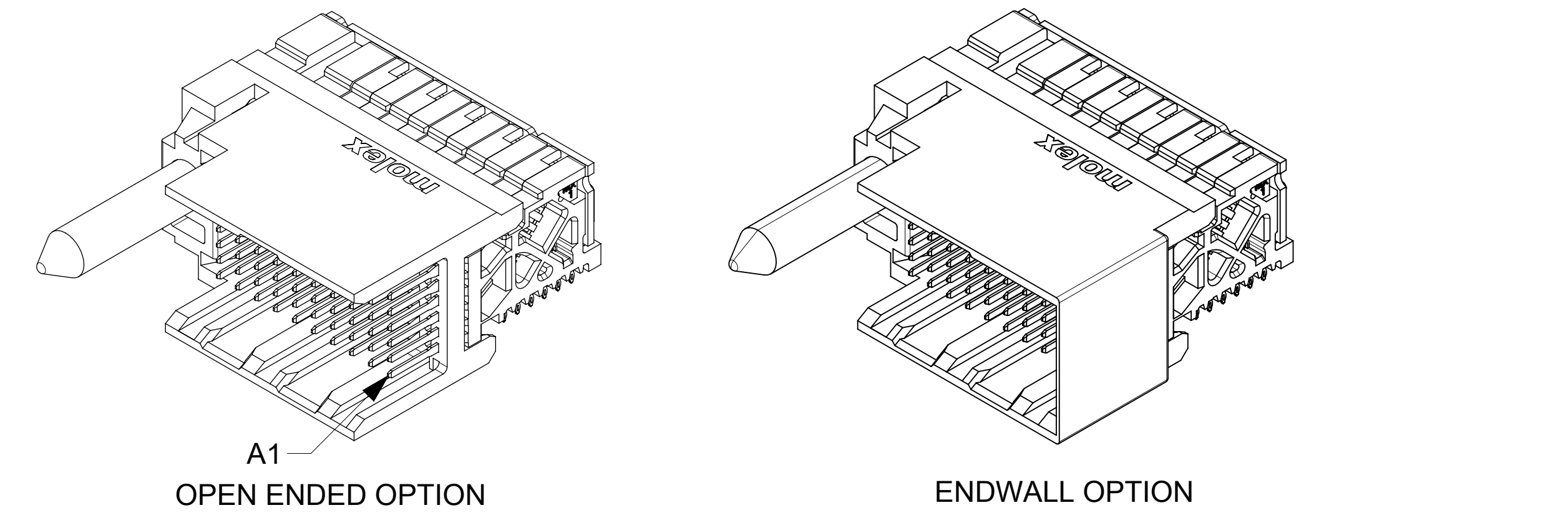
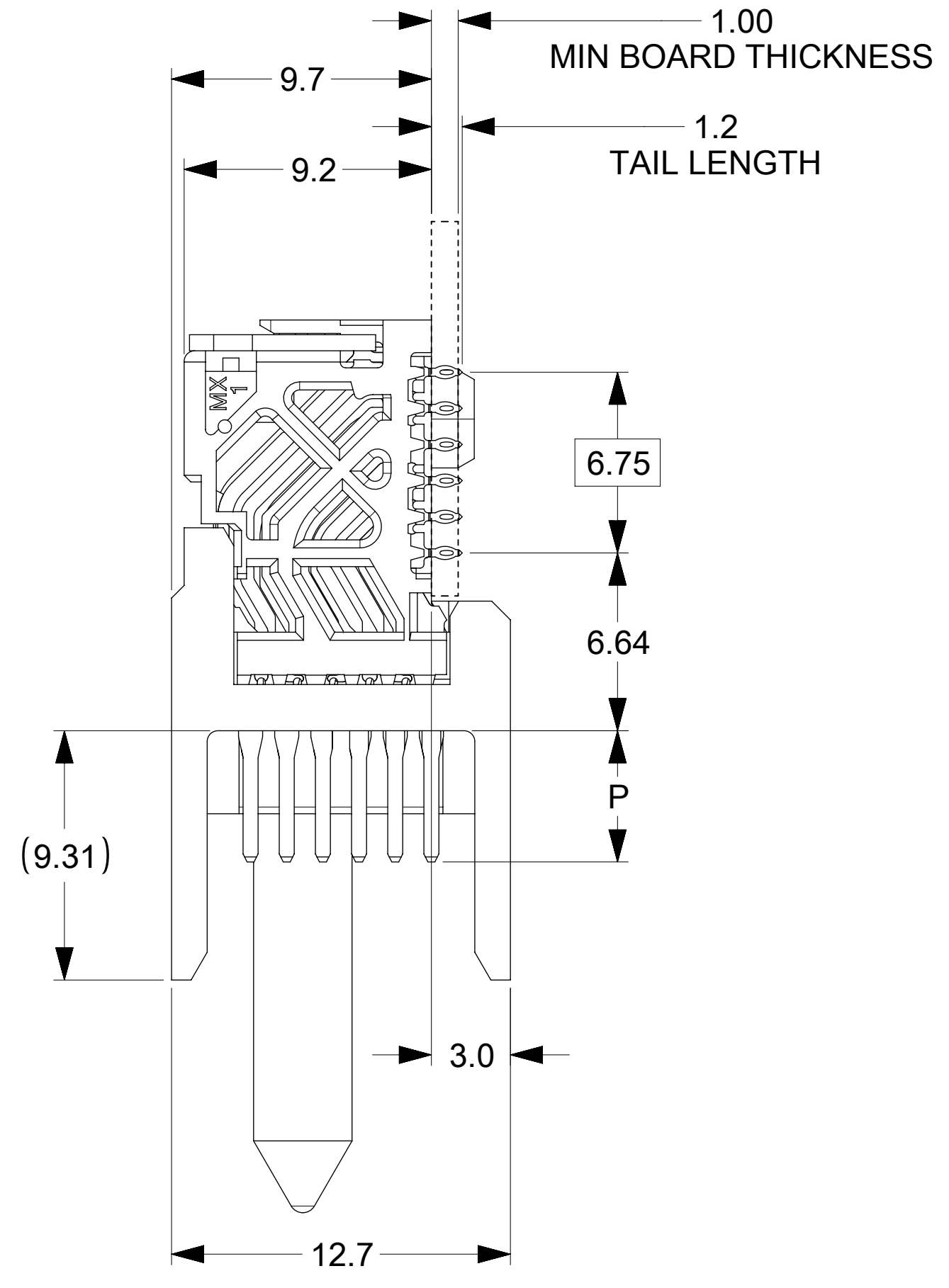
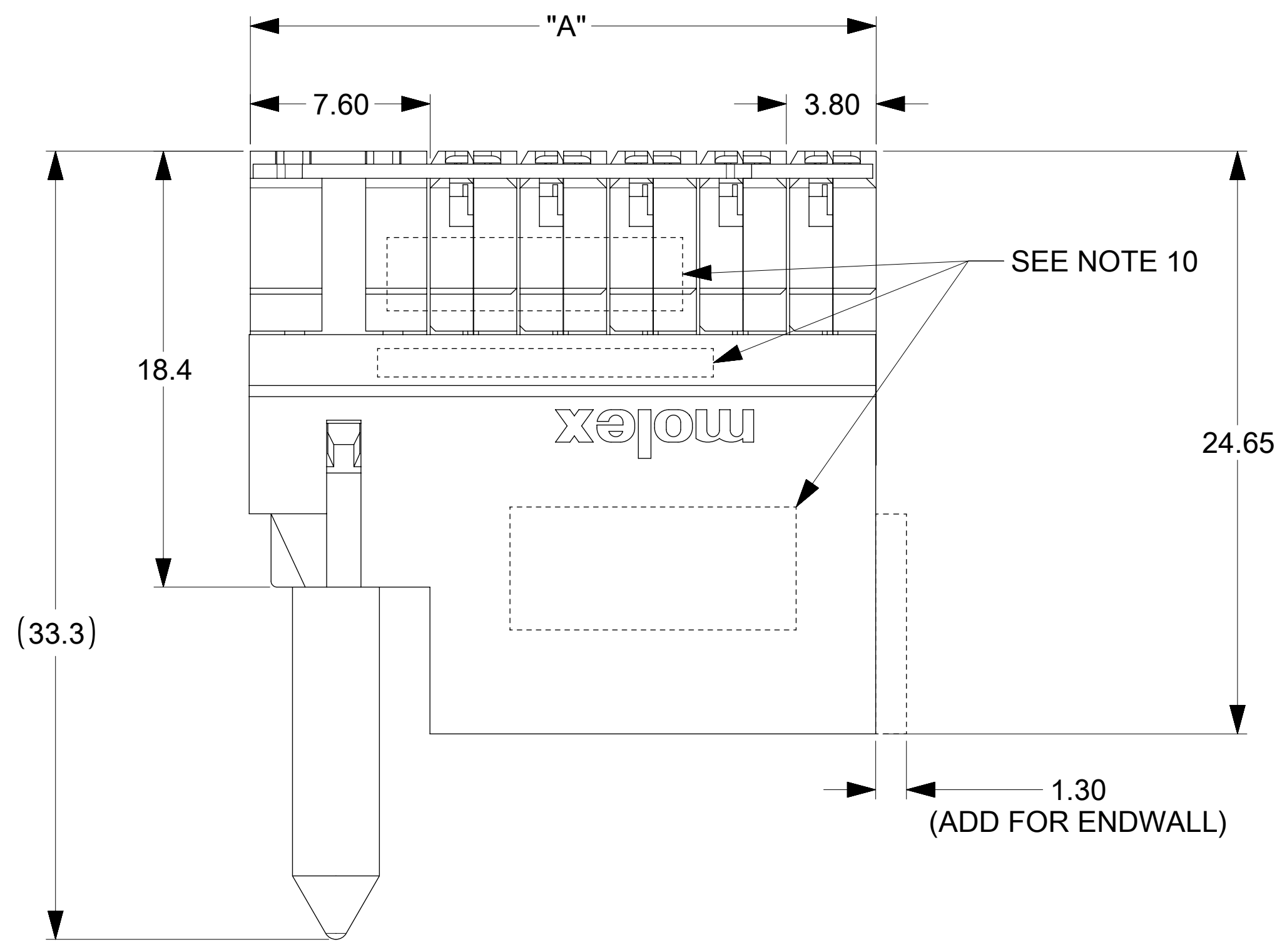
76450-0***

MODULE TYPE
 3 = LEFT GUIDED LEAD-FREE
 7 = LEFT GUIDED LEAD-FREE W/ ENDWALL

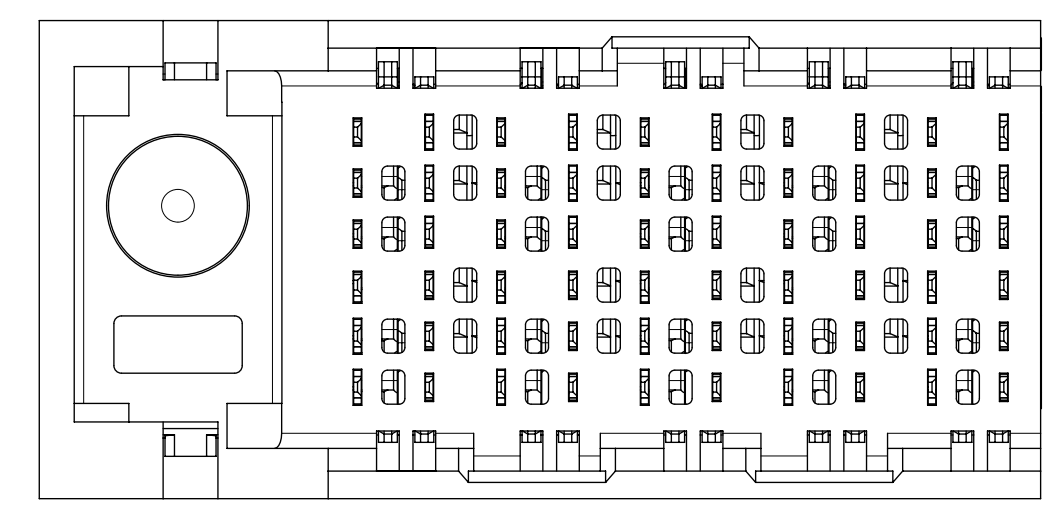
PIN LENGTH (P)
 4 = 4.90 (0.46 PTH)
 5 = 5.50 (0.46 PTH)
 7 = 4.90 (0.39 PTH)
 8 = 5.50 (0.39 PTH)

OF COLUMNS
 1 = 10 COL
 6 = 16 COL

- NOTES:
- MATERIALS: HOUSING - LIQUID CRYSTAL POLYMER (LCP), GLASS-FILLED, UL94V-0
 TERMINALS - HIGH PERFORMANCE COPPER ALLOY
 - FINISH: 30µin SELECTIVE GOLD IN CONTACT AREA, SELECTIVE TIN ON PCB TAILS, NICKEL OVERALL.
 - FOR FURTHER INFORMATION SEE PRODUCT SPECIFICATION PS-76060-999..
 - EACH SIGNAL WAFER CONTAINS 2 COLUMNS OF TERMINALS.
 - PRODUCT TO BE PACKAGED PER PACKAGING SPECIFICATION PK-70873-077.
 - THIS PART CONFORMS TO CLASS B REQUIREMENTS OF COSMETIC SPEC PS-45499-002.
 - REFER TO MOLEX SALES DRAWING SD-76460-004 FOR MATING DAUGHTERCARDS.
 - REFER TO MOLEX PCB ROUTING GUIDE AS-76060-990 FOR ANTIPAD AND ROUTING RECOMMENDATIONS.
 - WHEN USING MOLEX SUPPLIED #2-32 SCREW 73726-0005 (7.62 +0.38/-0.76 mm THREADABLE SCREW LENGTH), THE BOARD THICKNESS RANGE IS 1.60 TO 3.85 mm.
 - MARKING: LOCATED APPROXIMATELY AS SHOWN. PART NUMBER AND DATE CODE.

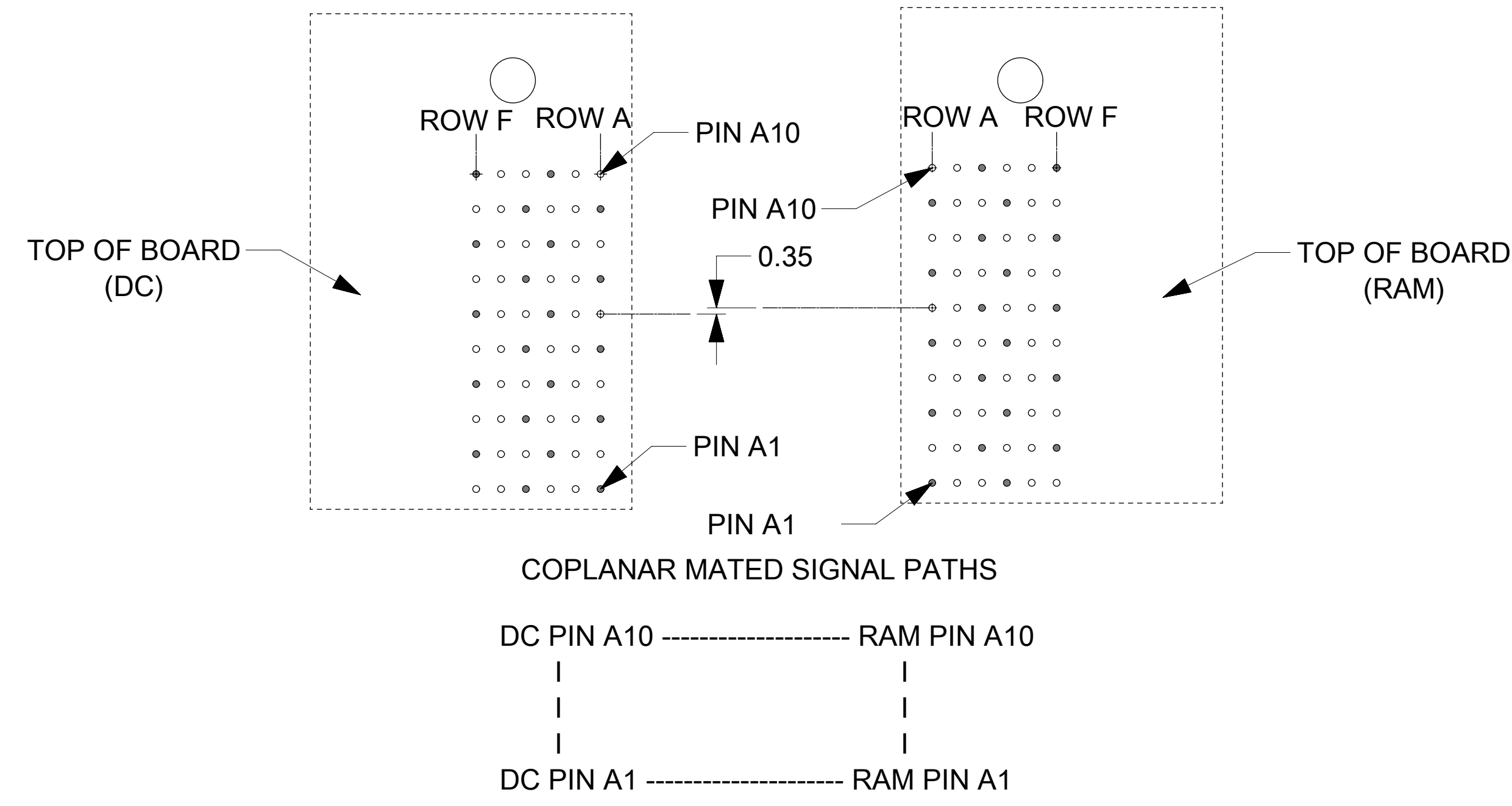
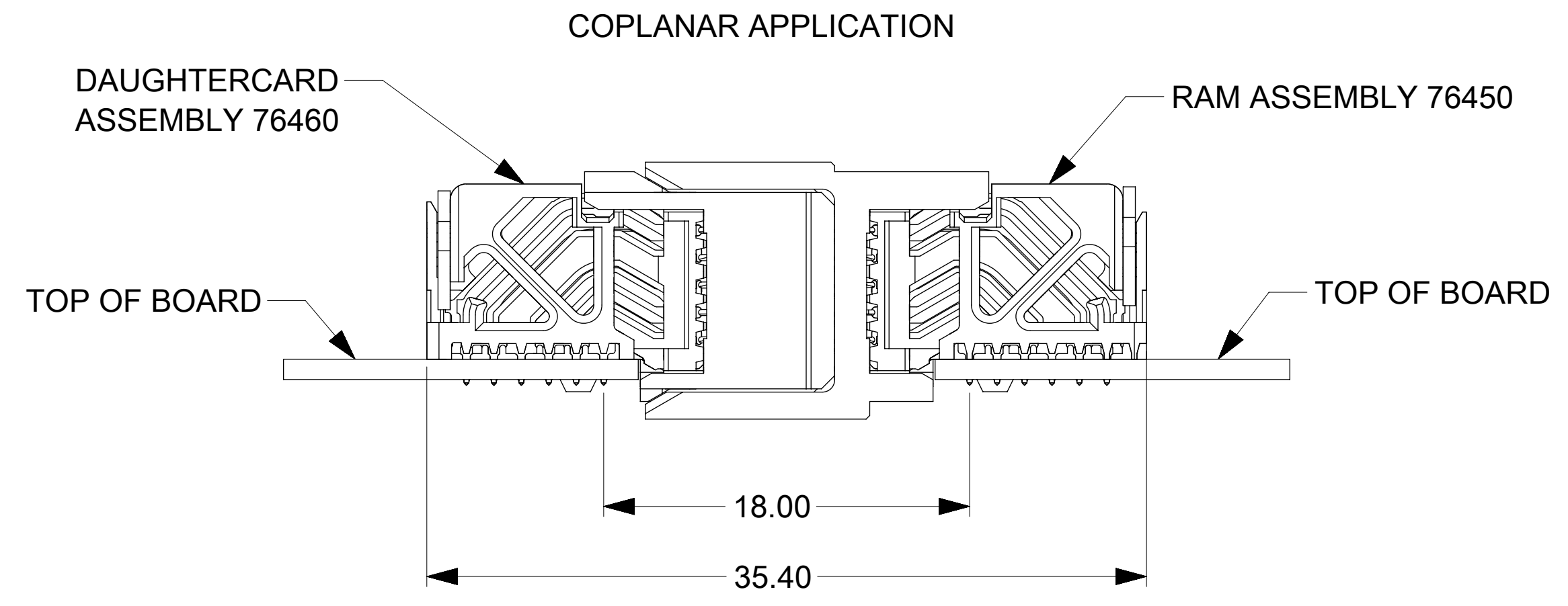


**RAM HOLE PATTERN
(CONNECTOR SIDE)**



THIS DRAWING CONTAINS INFORMATION THAT IS PROPRIETARY TO MOLEX ELECTRONIC TECHNOLOGIES, LLC AND SHOULD NOT BE USED WITHOUT WRITTEN PERMISSION

DIMENSION UNITS mm	SCALE NTS	CURRENT REV DESC: MIGRATED TO NX		molex	
GENERAL TOLERANCES (UNLESS SPECIFIED)		EC NO: 705090			
ANGULAR TOL	± 0.5°	4 PLACES	±	DRWN: PSHANKARACHA	2019/03/13
3 PLACES	±	3 PLACES	±	CHK'D: VINODM3	2022/03/31
2 PLACES	± 0.13	2 PLACES	±	APPR: LZENG	2022/05/13
1 PLACE	± 0.25	INITIAL REVISION:		PRODUCT CUSTOMER DRAWING	
0 PLACES	±	DRWN: MCARRANZA	2008/02/21	DOCUMENT NUMBER	DOC TYPE
DRAFT WHERE APPLICABLE MUST REMAIN WITHIN DIMENSIONS		APPR: JLAURX	2009/04/17	SD-76450-002	PSD
THIRD ANGLE PROJECTION	DRAWING	SERIES	MATERIAL NUMBER	CUSTOMER	SHEET NUMBER
	D-SIZE	76450	SEE TABLE	GENERAL MARKET	1 OF 2



THIS DRAWING CONTAINS INFORMATION THAT IS PROPRIETARY TO MOLEX ELECTRONIC TECHNOLOGIES, LLC AND SHOULD NOT BE USED WITHOUT WRITTEN PERMISSION									
DIMENSION UNITS	SCALE	CURRENT REV DESC: MIGRATED TO NX							
mm	NTS	molex							
GENERAL TOLERANCES (UNLESS SPECIFIED)		IMPACT 100 OHM 2 PAIR RAM LEFT GUIDED SALES DRAWING							
ANGULAR TOL ± 0.5°		PRODUCT CUSTOMER DRAWING							
4 PLACES ±		EC NO: 705090		DRWN: PSHANKARACHA 2019/03/13		CHK'D: VINODM3 2022/03/31		APPR: LZENG 2022/05/13	
3 PLACES ±		INITIAL REVISION:							
2 PLACES ± 0.13		DRWN: MCARRANZA 2008/02/21		SERIES 76450		MATERIAL NUMBER SEE TABLE		CUSTOMER GENERAL MARKET	
1 PLACE ± 0.25		APPR: JLAURX		DRAWING D-SIZE		REVISION B7		SHEET NUMBER 2 OF 2	
0 PLACES ±		DRAFT WHERE APPLICABLE MUST REMAIN WITHIN DIMENSIONS		THIRD ANGLE PROJECTION		DRAWING D-SIZE		SERIES 76450	