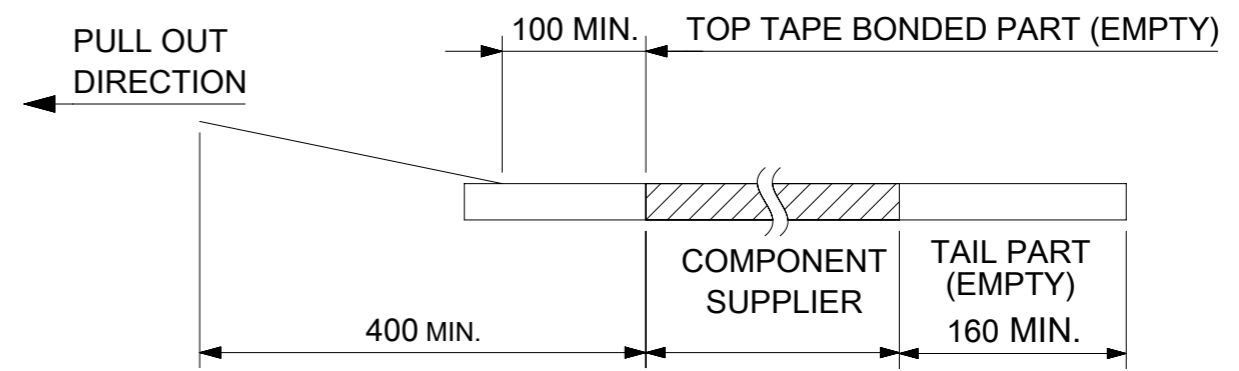
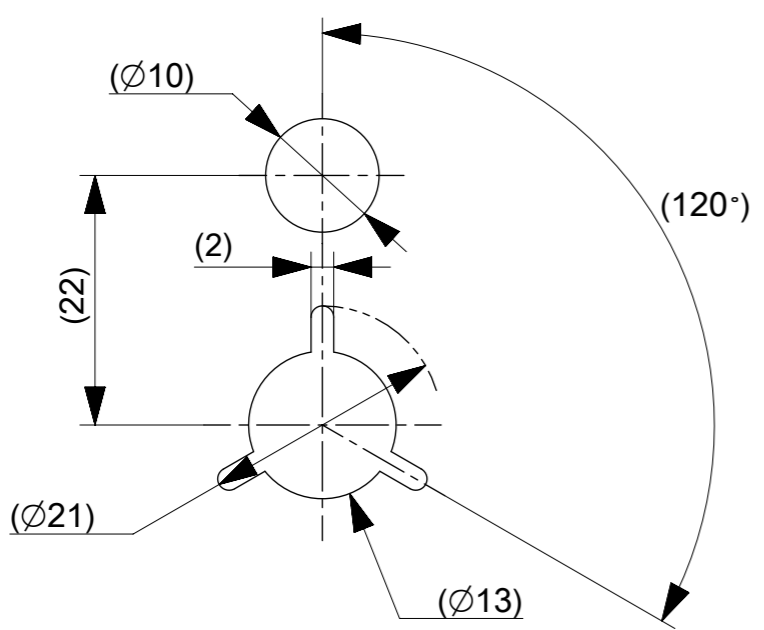


- NOTES
1. FOR DIMENSION OF PRODUCT, REFER TO PRODUCT DRAWING.
  2. NUMBER OF CONNECTORS : 7000 PCS/REEL
  3. LEAD TAPE LENGTH



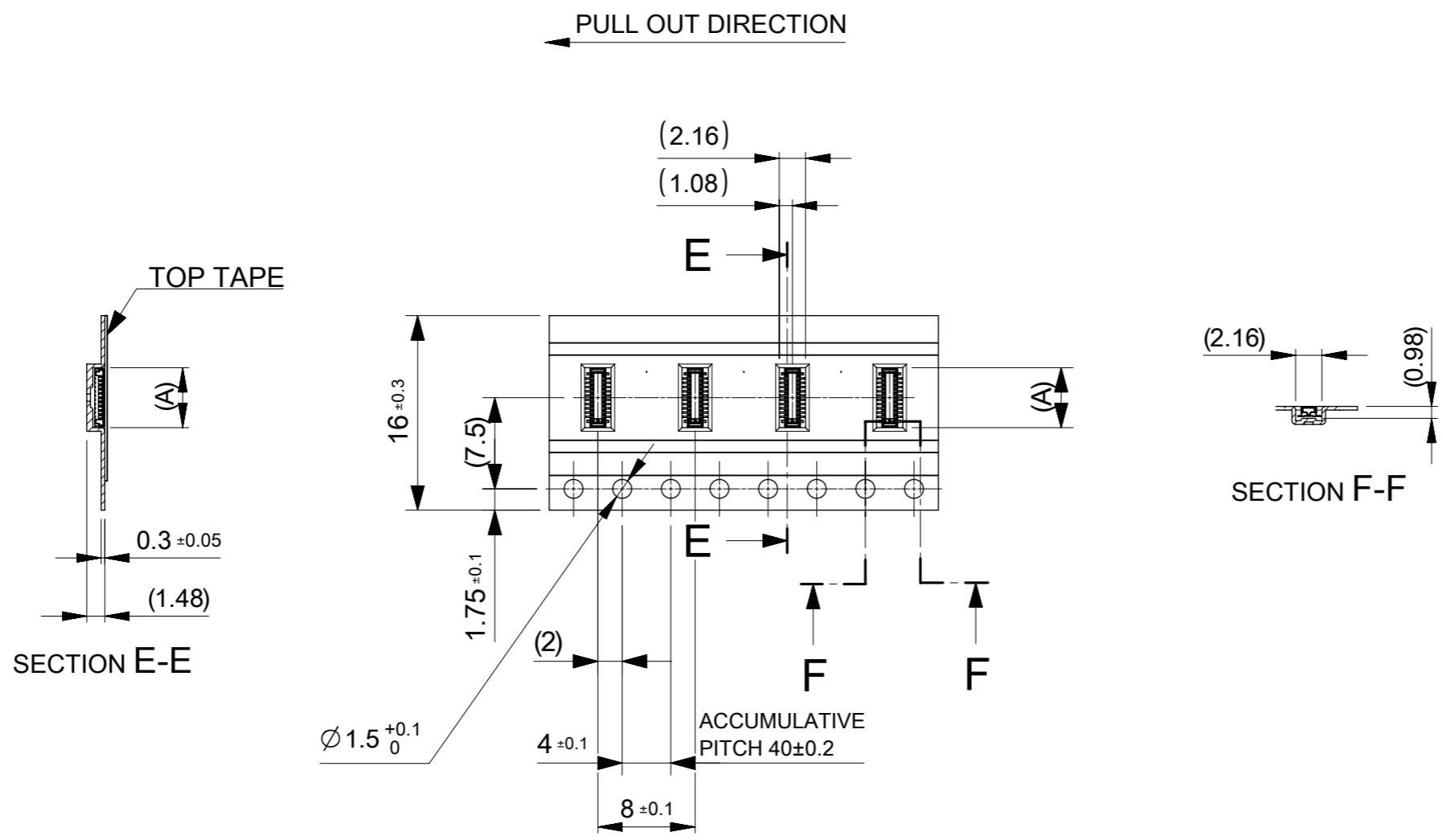
4. TOP TAPE PEEL FORCE IS DEFINED BY IEC60286-3.
5. MATERIAL  
 CARRIER TAPE : POLYSTYRENE  
 TOP TAPE : PET , OTHER  
 REEL : POLYSTYRENE (PS) < RECYCLE MATERIAL CONTAINED >



DETAIL "D"

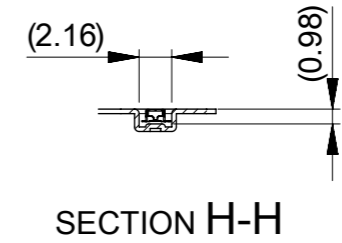
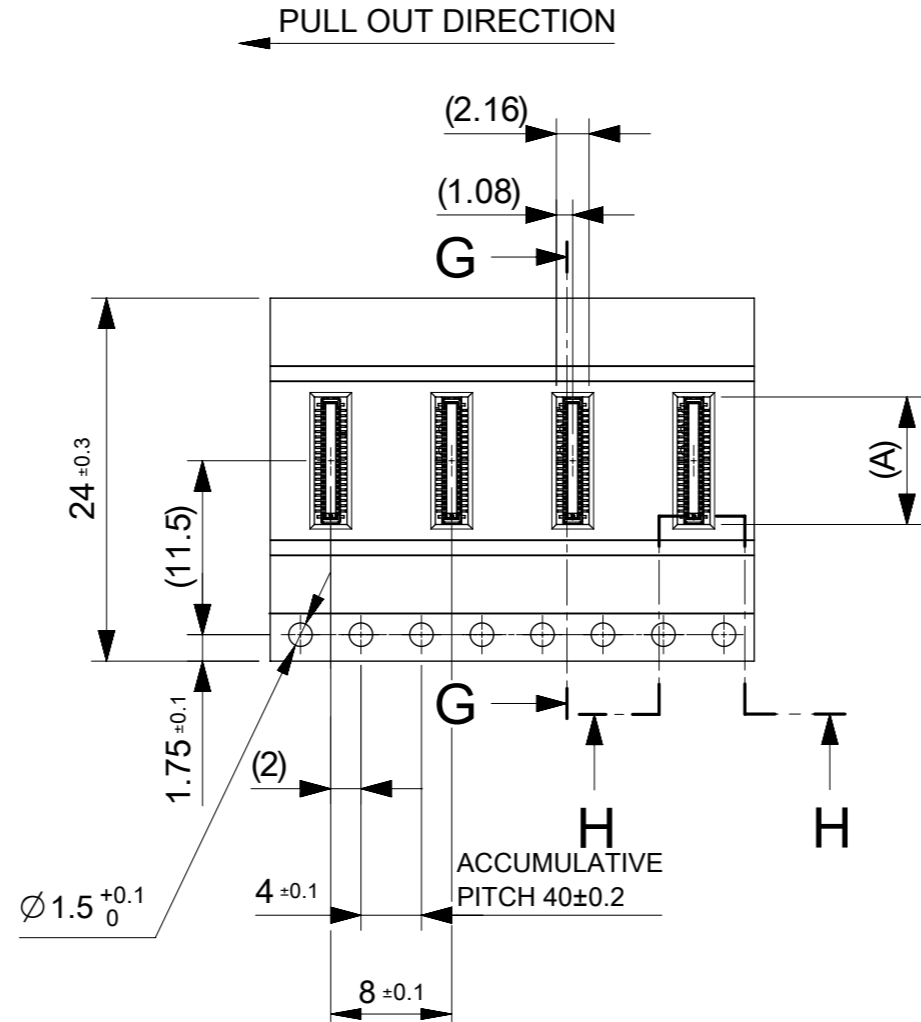
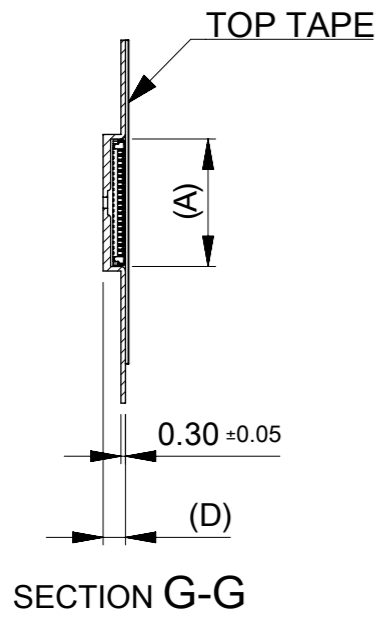
CONNECTOR SERIES NO. 505417\*\*09

THIS DRAWING CONTAINS INFORMATION THAT IS PROPRIETARY TO MOLEX ELECTRONIC TECHNOLOGIES, LLC AND SHOULD NOT BE USED WITHOUT WRITTEN PERMISSION											
DIMENSION UNITS <b>mm</b>		SCALE <b>NTS</b>		CURRENT REV DESC:				<b>molex</b>		0.35 BB H=1.0 SSB10RP PLUG EMBSTP PKG	
GENERAL TOLERANCES (UNLESS SPECIFIED)		ANGULAR TOL ± 3.0 °		EC NO: 733067 DRWN: NASIMO 2022/12/21 CHK'D: YKOBAYASHI02 2022/12/22 APPR: KSASAKI 2022/12/23							
4 PLACES ± 0.03		3 PLACES ± 0.03		INITIAL REVISION:		DOCUMENT NUMBER		DOC TYPE		DOC PART	
2 PLACES ± 0.05		1 PLACE ± 0.1		DRWN: NNAKAZAWA 2016/03/16		5054170000		PSD		000	
0 PLACES ± 0.2		DRAFT WHERE APPLICABLE MUST REMAIN WITHIN DIMENSIONS		APPR: KMORIKAWA 2016/04/26		SERIES		CUSTOMER		SHEET NUMBER	
		THIRD ANGLE PROJECTION		DRAWING		505417		GENERAL		1 OF 3	



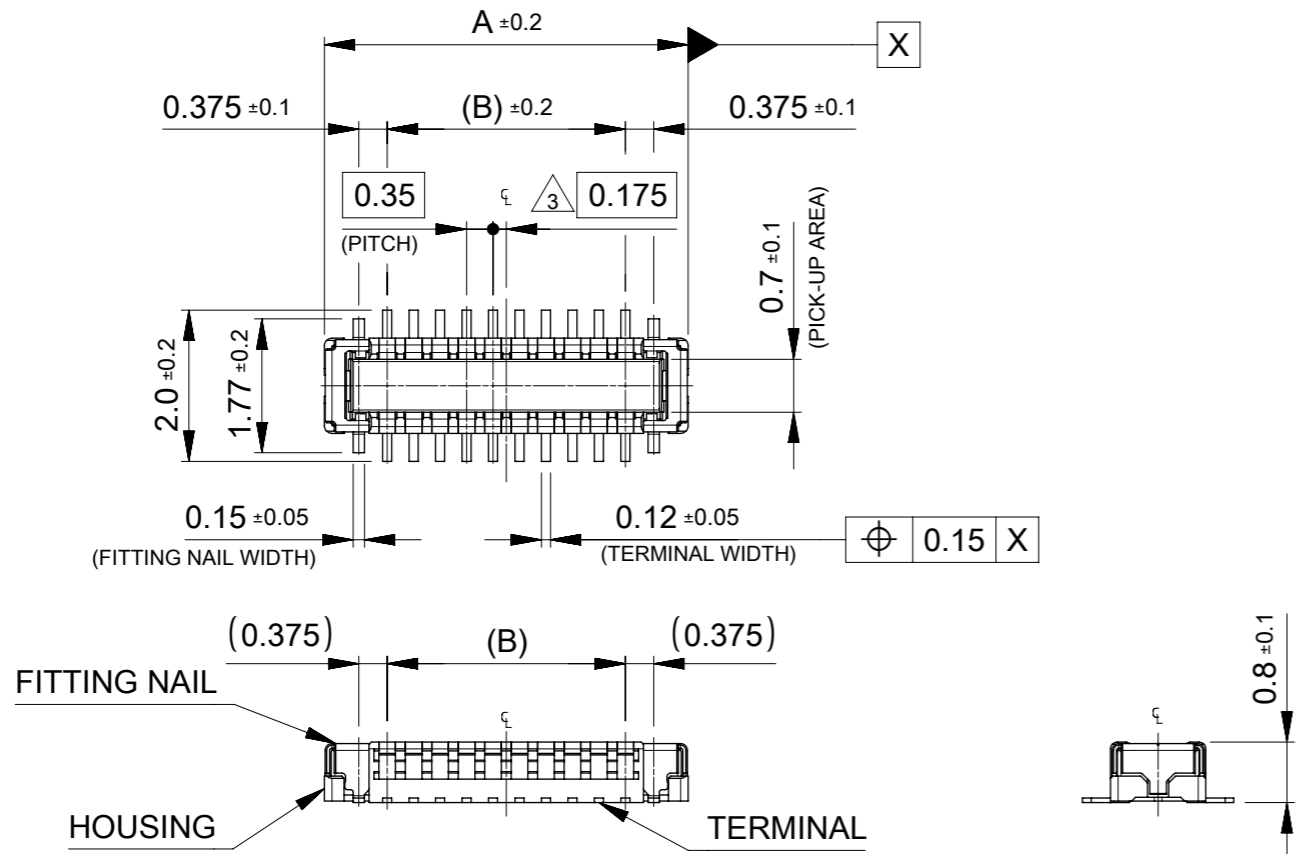
16	21.4	17.4	6.68	5054173010	○	---	30
			4.23	5054171610	○	---	16
			3.88	5054171410	○	---	14
			2.43	5054170610	○	---	6
キャリアテープ幅 CARRIER TAPE WIDTH	C	B	(A)	EMBOSSED TAPE PACKAGE	HIGH VOL. TOOL	LOW VOL. TOOL	CIRCUIT
ORDER NO.	SAMPLE PREPARATION ○:TOOLED △:WOOK IN PROCESS ---:TOOLING TO BE CONFIRMED						

THIS DRAWING CONTAINS INFORMATION THAT IS PROPRIETARY TO MOLEX ELECTRONIC TECHNOLOGIES, LLC AND SHOULD NOT BE USED WITHOUT WRITTEN PERMISSION									
DIMENSION UNITS		SCALE		CURRENT REV DESC:					
mm		NTS		<p style="text-align: center; font-size: 24pt; font-weight: bold;">molex</p> <p style="text-align: center;">0.35 BB H=1.0 SSB10RP PLUG EMBSTP PKG</p> <p style="text-align: center;">PRODUCT CUSTOMER DRAWING</p>					
GENERAL TOLERANCES (UNLESS SPECIFIED)									
ANGULAR TOL ± 3.0 °									
4 PLACES ± 0.03		EC NO: 733067							
3 PLACES ± 0.03		DRWN: NASIMO 2022/12/21							
2 PLACES ± 0.05		CHK'D: YKOBAYASHI02 2022/12/22							
1 PLACE ± 0.1		APPR: KSASAKI 2022/12/23							
0 PLACES ± 0.2		INITIAL REVISION:		DOCUMENT NUMBER		DOC TYPE		DOC PART	
DRAFT WHERE APPLICABLE MUST REMAIN WITHIN DIMENSIONS		THIRD ANGLE PROJECTION		DRAWING		SERIES		MATERIAL NUMBER	
		A3-SIZE		505417		5054170000		PSD 000 J	
						CUSTOMER		SHEET NUMBER	
						GENERAL		2 OF 3	



24	1.48	29.4	25.4	11.93	5054176010	○	---	60
	1.41			8.43	5054174010	○	---	40
	1.48			7.38	5054173410	○	---	34
キャリアテープ幅 CARRIER TAPE WIDTH	(D)	C	B	(A)	EMBOSSED TAPE PACKAGE	HIGH VOL. TOOL	LOW VOL. TOOL	CIRCUIT
					ORDER NO.	SAMPLE PREPARATION ○:TOOLED △:WOOK IN PROCESS ---:TOOLING TO BE CONFIRMED		

THIS DRAWING CONTAINS INFORMATION THAT IS PROPRIETARY TO MOLEX ELECTRONIC TECHNOLOGIES, LLC AND SHOULD NOT BE USED WITHOUT WRITTEN PERMISSION									
DIMENSION UNITS	SCALE	CURRENT REV DESC:							
mm	NTS	<div style="text-align: center; font-size: 24pt; font-weight: bold;">molex</div> <p>0.35 BB H=1.0 SSB10RP PLUG EMBSTP PKG</p> <p>PRODUCT CUSTOMER DRAWING</p>							
GENERAL TOLERANCES (UNLESS SPECIFIED)									
ANGULAR TOL	± 3.0 °								
4 PLACES	± 0.03								
3 PLACES	± 0.03								
2 PLACES	± 0.05								
1 PLACE	± 0.1	EC NO: 733067	2022/12/21		DOCUMENT NUMBER: <b>5054170000</b> DOC TYPE: PSD DOC PART: 000 REVISION: J				
0 PLACES	± 0.2	DRWN: NASIMO	2022/12/22						
DRAFT WHERE APPLICABLE MUST REMAIN WITHIN DIMENSIONS		CHK'D: YKOBAYASHI02	2022/12/23						
THIRD ANGLE PROJECTION		APPR: KSASAKI	2022/12/23		INITIAL REVISION:		MATERIAL NUMBER		
DRAWING		APPR: K MORIKAWA		2016/03/16		CUSTOMER		SHEET NUMBER	
A3-SIZE		SERIES		2016/04/26		GENERAL		3 OF 3	



14.76	14.16	11.90	13.56	5054177010	---	---	70
13.71	13.11	10.85	12.51	5054176410	---	---	64
13.01	12.41	10.15	11.81	5054176010	○	---	60
11.96	11.36	9.10	10.76	5054175410	---	---	54
11.26	10.66	8.40	10.06	5054175010	---	---	50
10.91	10.31	8.05	9.71	5054174810	---	---	48
10.56	9.96	7.70	9.36	5054174610	---	---	46
9.86	9.26	7.00	8.66	5054174210	---	---	42
9.51	8.91	6.65	8.31	5054174010	○	---	40
8.46	7.86	5.60	7.26	5054173410	○	---	34
7.76	7.16	4.90	6.56	5054173010	○	---	30
6.71	6.11	3.85	5.51	5054172410	---	---	24
6.36	5.76	3.50	5.16	5054172210	---	---	22
6.01	5.41	3.15	4.81	5054172010	---	---	20
5.66	5.06	2.80	4.46	5054171810	---	---	18
5.31	4.71	2.45	4.11	5054171610	○	---	16
4.96	4.36	2.10	3.76	5054171410	○	---	14
4.61	4.01	1.75	3.41	5054171210	---	---	12
4.26	3.66	1.40	3.06	5054171010	---	---	10
3.56	2.96	0.70	2.36	5054170610	○	---	6

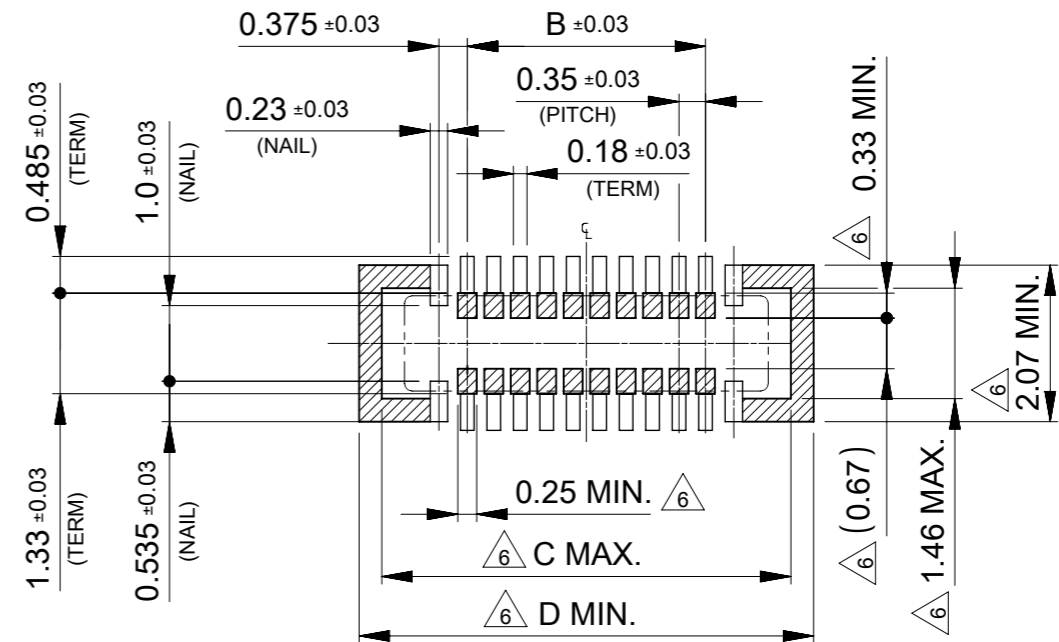
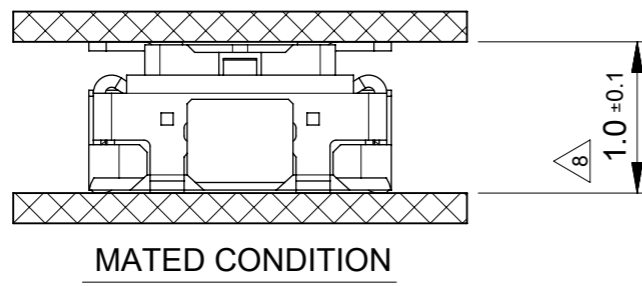
**NOTES**

- MATERIAL**  
HOUSING : LIQUID CRYSTAL POLYMER UL94V-0 (COLOR : BLACK)  
TERMINAL : COPPER ALLOY  
FITTING NAIL : COPPER ALLOY
- PLATING**  
TERMINAL :  
GOLD  
UNDER PLATING NICKEL  
\*DIVIDE INTO PARTS THE GOLD PLATING OF CONTACT AND THE TAIL PART BY THE NICKEL PLATING.  
FITTING NAIL :  
GOLD(ONLY CONTACT AND TAIL PART)  
UNDER PLATING NICKEL
- APPLY FOR (CIRCUIT/2)=EVEN
- MATE WITH : 505413\*\*10
- TAIL AND FITTING NAIL COPLANARITY TO BE 0.08MAXIMUM.
- PROHIBITED AREA OF PATTERN WIRING AND SOLDER.  
(FOR EACH AREA, THE WIRING THAT TOUCHES ON THE SOLDER CAN BE ATTACHED, THEN COVERED WITH A FILM TO KEEP SOLDER OUT.)
- ELV and RoHS COMPLIANT.
- THIS DIMENSION SHOWS THE DIMENSION BETWEEN SOLDERING SURFACE OF SOLDER TAILS.

D	C	B	A	EMBOSSED TAPE PACKAGE	MASS PRODUCTION	LOW VOL. TOOL	CIRCUIT
				ORDER No.	SMAPLE PREPARATION ○: TOOLED △: WORK IN PROCESS ---: TOOLING TO BE CONFIRMED		
				CONNECTOR No. : 505417**09			

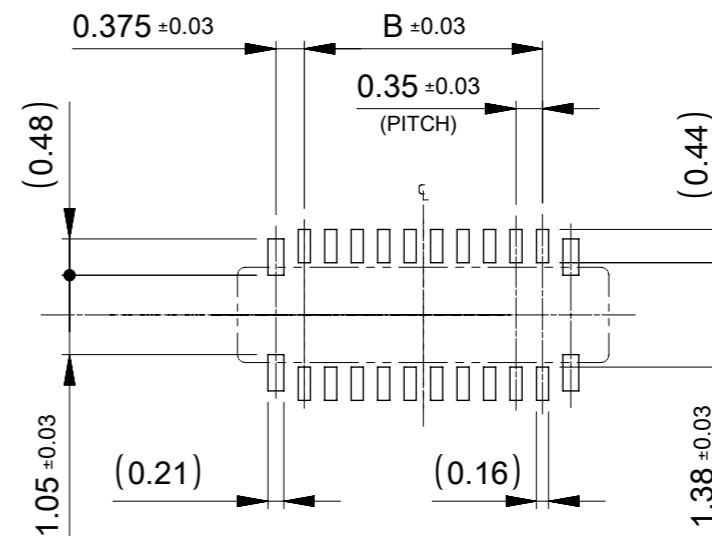
THIS DRAWING CONTAINS INFORMATION THAT IS PROPRIETARY TO MOLEX ELECTRONIC TECHNOLOGIES, LLC AND SHOULD NOT BE USED WITHOUT WRITTEN PERMISSION

DIMENSION UNITS <b>mm</b>	SCALE <b>10:1</b>	CURRENT REV DESC:		<b>molex</b>		
GENERAL TOLERANCES (UNLESS SPECIFIED)		EC NO: 733067				
ANGULAR TOL ± 3.0 °	4 PLACES ± 0.03	DRWN: NASIMO	2022/12/21	PRODUCT CUSTOMER DRAWING		
3 PLACES ± 0.03	2 PLACES ± 0.05	CHK'D: YKOBAYASHI02	2022/12/22	DOCUMENT NUMBER		
1 PLACE ± 0.1	0 PLACES ± 0.2	APPR: KSASAKI	2022/12/23	5054171000		
DRAFT WHERE APPLICABLE MUST REMAIN WITHIN DIMENSIONS		INITIAL REVISION:	2016/04/25	DOC TYPE	DOC PART	REVISION
THIRD ANGLE PROJECTION		DRWN: HONO01	2016/04/26	PSD	000	G
DRAWING		APPR: KMORIKAWA	SERIES	CUSTOMER		SHEET NUMBER
A3-SIZE		505417	MATERIAL NUMBER	GENERAL		1 OF 2



RECOMMENDED P.W.BOARD PATTERN LAYOUT (REFERENCE)

△ 6 PROHIBITED AREA OF PATTERN WIRING AND SOLDER.  
(FOR EACH AREA, THE WIRING THAT TOUCHES ON THE SOLDER CAN BE ATTACHED, THEN COVERED WITH A FILM TO KEEP SOLDER OUT.)



RECOMMENDED METAL MASK LAYOUT (REFERENCE)

RECOMMENDED THICKNESS OF METAL MASK : t=0.08mm

RECOMMENDED OPEN APERTURE RATIO OF METAL MASK : 80%

THIS DRAWING CONTAINS INFORMATION THAT IS PROPRIETARY TO MOLEX ELECTRONIC TECHNOLOGIES, LLC AND SHOULD NOT BE USED WITHOUT WRITTEN PERMISSION									
DIMENSION UNITS <b>mm</b>		SCALE <b>10:1</b>		CURRENT REV DESC:				<b>molex</b>	
GENERAL TOLERANCES (UNLESS SPECIFIED)		ANGULAR TOL ± 3.0 °		EC NO: 733067 DRWN: NASIMO 2022/12/21 CHK'D: YKOBAYASHI02 2022/12/22 APPR: KSASAKI 2022/12/23					
4 PLACES ± 0.03		3 PLACES ± 0.03		INITIAL REVISION:		DOCUMENT NUMBER		DOC TYPE	DOC PART
2 PLACES ± 0.05		1 PLACE ± 0.1		DRWN: HONO01 2016/04/25		5054171000		PSD	000
0 PLACES ± 0.2		DRAFT WHERE APPLICABLE MUST REMAIN WITHIN DIMENSIONS		THIRD ANGLE PROJECTION	DRAWING	SERIES	MATERIAL NUMBER	CUSTOMER	SHEET NUMBER
				⊕	A3-SIZE	505417	SEE CHART	GENERAL	2 OF 2