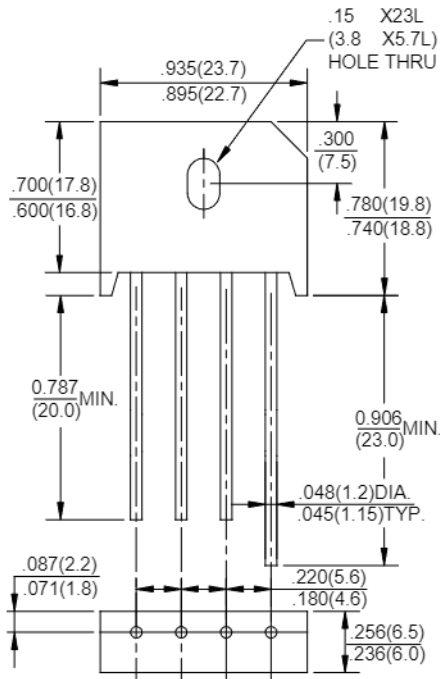




KBU10/15/25/35

BRIDGE RECTIFIERS



Dimensions in inches and (millimeters)

GLASS PASSIVATED BRIDGE RECTIFIERS

REVERSE VOLTAGE - 50 to 1000Volts

FORWARD CURRENT - 10/15/25/35Amperes

FEATURES

- Surge overload rating -200~300 amperes peak
- Ideal for printed circuit board
- Reliable low cost construction utilizing molded plastic technique
- Plastic material has UL flammability classification 94V-0
- Mounting position:Any
- Mounting torque:5 In.lb.Max
- Weight: 0.25ounces ,7.0grams

MAXIMUM RATINGS AND ELECTRICAL CHARACTERISTICS

Rating at 25°C ambient temperature unless otherwise specified.

Single phase, half wave ,60Hz, resistive or inductive load.

For capacitive load, derate current by 20%

CHARACTERISTICS	SYMBOL	KBU	KBU	KBU	KBU	KBU	KBU	KBU	UNIT	
		10005	1001	1002	1004	1006	1008	1010		
Maximum Recurrent Peak Reverse Voltage	V _{RRM}	50	100	200	400	600	800	1000	V	
Maximum RMS Voltage	V _{RMS}	35	70	140	280	420	560	700	V	
Maximum DC Blocking Voltage	V _{DC}	50	100	200	400	600	800	1000	V	
Maximum Average Forward (with heatsink Note 2) Rectified Current @ T _c =100°C (without heatsink)	I _(AV)		10		15		25		35	A
Peak Forward Surge Current 8.3ms Single Half Sine-Wave Super Imposed on Rated Load (JEDEC Method)	I _{FSM}	KBU 10	3.0	KBU 15	3.2	KBU 25	3.6	KBU 35	4.2	A
Maximum Forward Voltage at 5.0/7.5/12.5/17.5A DC	V _F	1.1							V	
Maximum DC Reverse Current @ T _J =25°C at Rated DC Blocking Voltage @ T _J =125°C	I _R	10							500	µA
Operating Temperature Range	T _J	-55 to +150							°C	
Storage Temperature Range	T _{STG}	-55 to +150							°C	

NOTES: 1.Measured at 1.0MHz and applied reverse voltage of 4.0V DC.

2.Device mounted on 100mm*100mm*1.6mm cu plate heatsink.



KBU10/15/25/35 BRIDGE RECTIFIERS

Characteristic Curves ($T_A=25^\circ\text{C}$ unless otherwise noted)

FIG. 1 – MAXIMUM FORWARD SURGE CURRENT

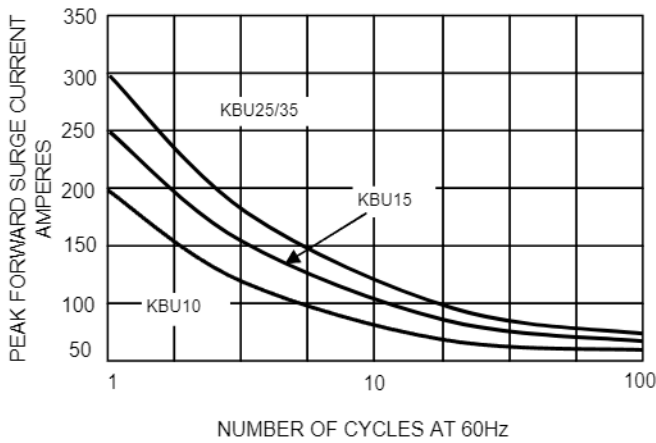


FIG. 2 – TYPICAL FORWARD CHARACTERISTICS

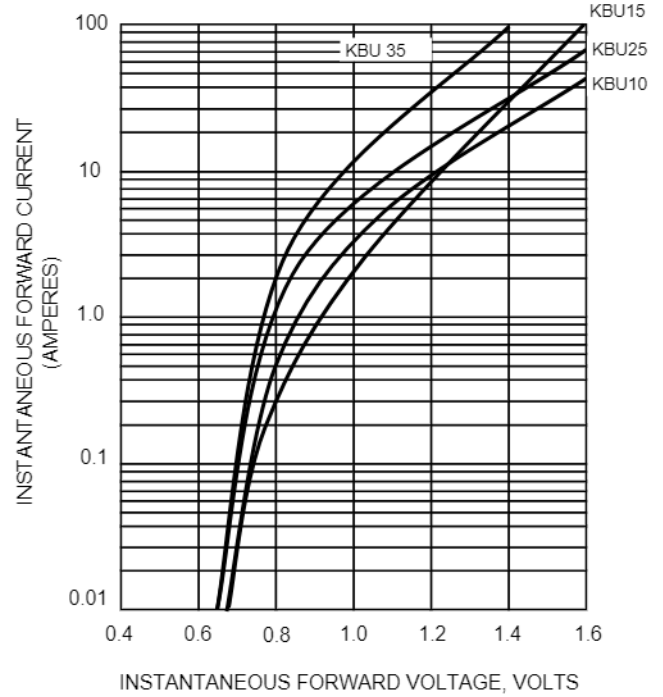


FIG. 3 – TYPICAL REVERSE CHARACTERISTICS

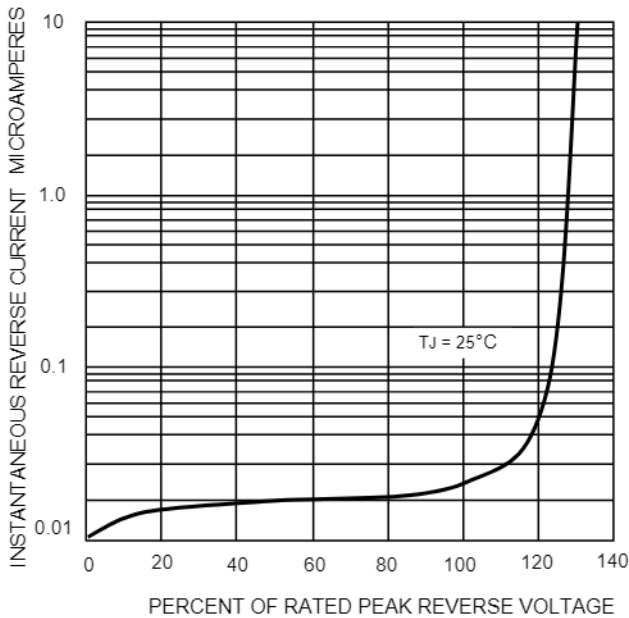


FIG. 4 – DERATING CURVE OUTPUT RECTIFIED CURRENT

