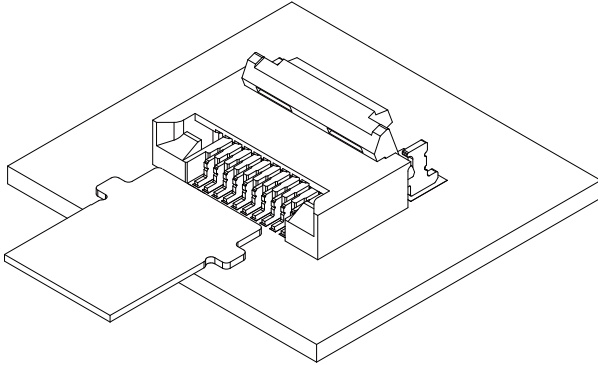


FHH CONNECTOR

0.5 mm pitch / Wire to Board connector / For FPC, ZIF type



This FHH connector is 2.0 mm in height and has both upper and lower contacts for a secure FPC connection. The back-flip structure allows the same connector to be used in both upper and lower positions. The use of FPC with protrusions prevents unmating and incorrect insertion while improving retention.

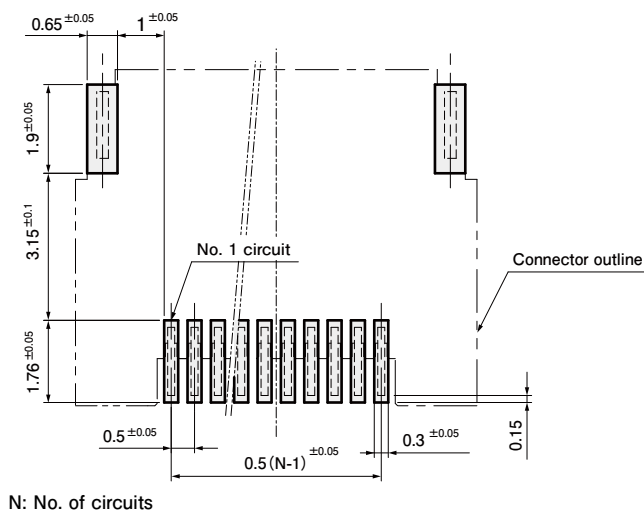
Features

- Double contact design facilitates FPC routing
- FPC with protrusions prevent unmating and incorrect insertion while improving retention
- The cover supplied in the open position allows for smooth mate and lock operation
- Robust structure with reinforced tabs

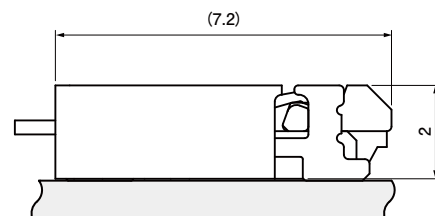
Specifications

- Current rating: 0.5 A AC/DC
 - Voltage rating: 50 V AC/DC
 - Temperature range: -25°C to +85°C
(including temperature rise in applying electrical current)
 - Contact resistance: Initial value/ 70 mΩ max.
After environmental tests/ 60 mΩ max.
(variation from initial value)
 - Insulation resistance: 500 MΩ min.
 - Withstanding voltage: There shall be no breakdown or flashover while applying 200 VAC for one minute.
 - Applicable FPC: Conductor pitch/ 0.5 mm
Conductor width/ 0.35 mm
Thickness of contact area/ 0.3 ± 0.03 mm
- ※ For FPCs, please confirm compatibility before use.
- * Please refer to the "Handling Precautions for Terminals and Connectors" on our website (listed in the "Technical Documents" column on the Product Information page) before use.
- * RoHS2 compliance
- * Dimensional unit : mm
- * Contact JST for details.

PC board layout and Assembly layout



PC board layout



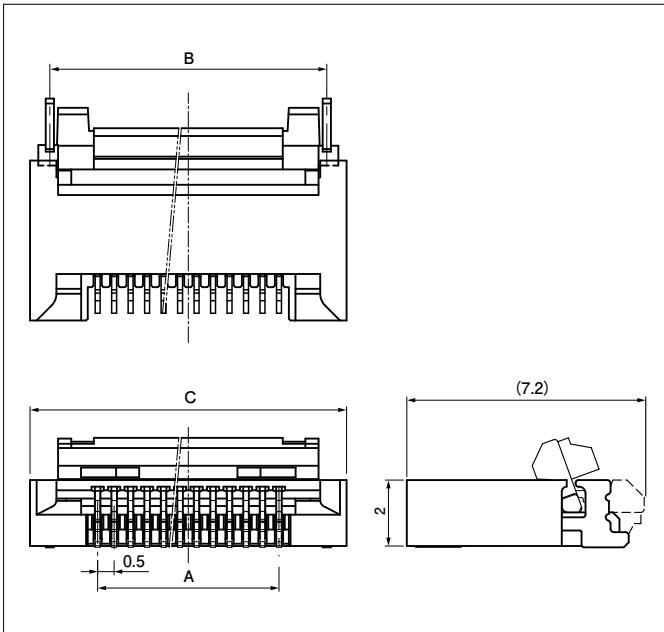
Assembly layout

• Metal mask thickness : 100 to 120 μm

- Note 1) The PC board layout is the figure viewed from the connector mounting side.
 2) Tolerance for the PCB pattern pitch shall be ± 0.05 and shall not accumulate.
 The above dimensions are reference values. Please contact JST for details.
 3) For N2 nitrogen reflow soldering, please contact JST.

FHH CONNECTOR

Contact



No. of circuits	Model No.	Dimensions (mm)			Q'ty / reel
		A	B	C	
10	10FHH-SM1-GAN-TF	4.5	7.4	8.6	2,000
20	20FHH-SM1-GAN-TF	9.5	12.4	13.6	2,000
30	30FHH-SM1-GAN-TF	14.5	17.4	18.6	2,000
40	40FHH-SM1-GAN-TF	19.5	22.4	23.6	2,000
50	50FHH-SM1-GAN-TF	24.5	27.4	28.6	2,000
60	60FHH-SM1-GAN-TF	29.5	32.4	33.6	2,000

Material and Surface finish, etc.

Contact : Copper alloy, nickel-undercoated, selective gold-plated
 Reinforcement tab : Copper alloy, copper-undercoated, tin-plated
 Socket housing : Heat resisting resin (natural)
 Cover housing : Heat resisting resin (black)

This product displays (LF)(SN) on a label.
 This product is supplied on embossed tape and reel packaging.

Dimensions of FPC lead section

