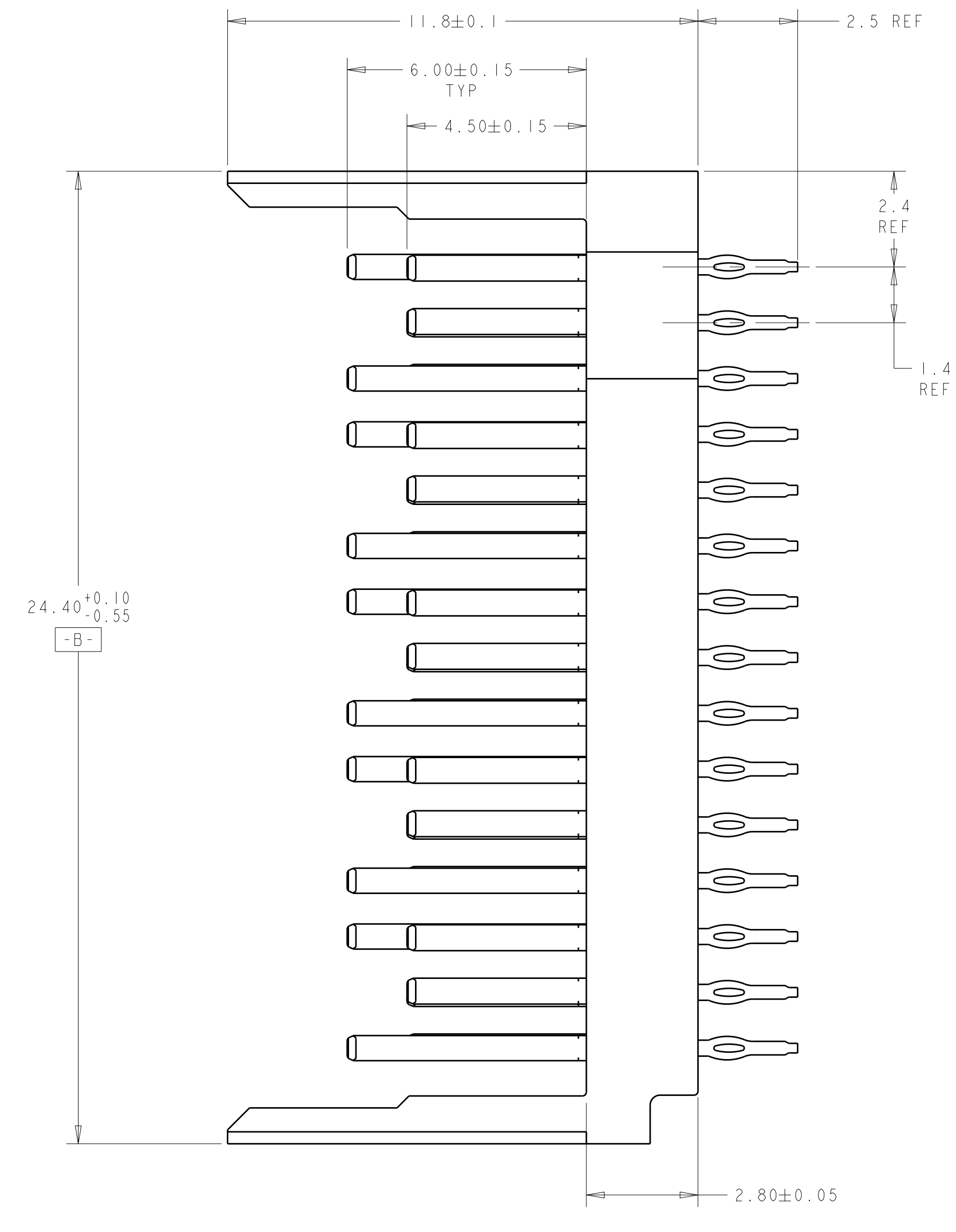
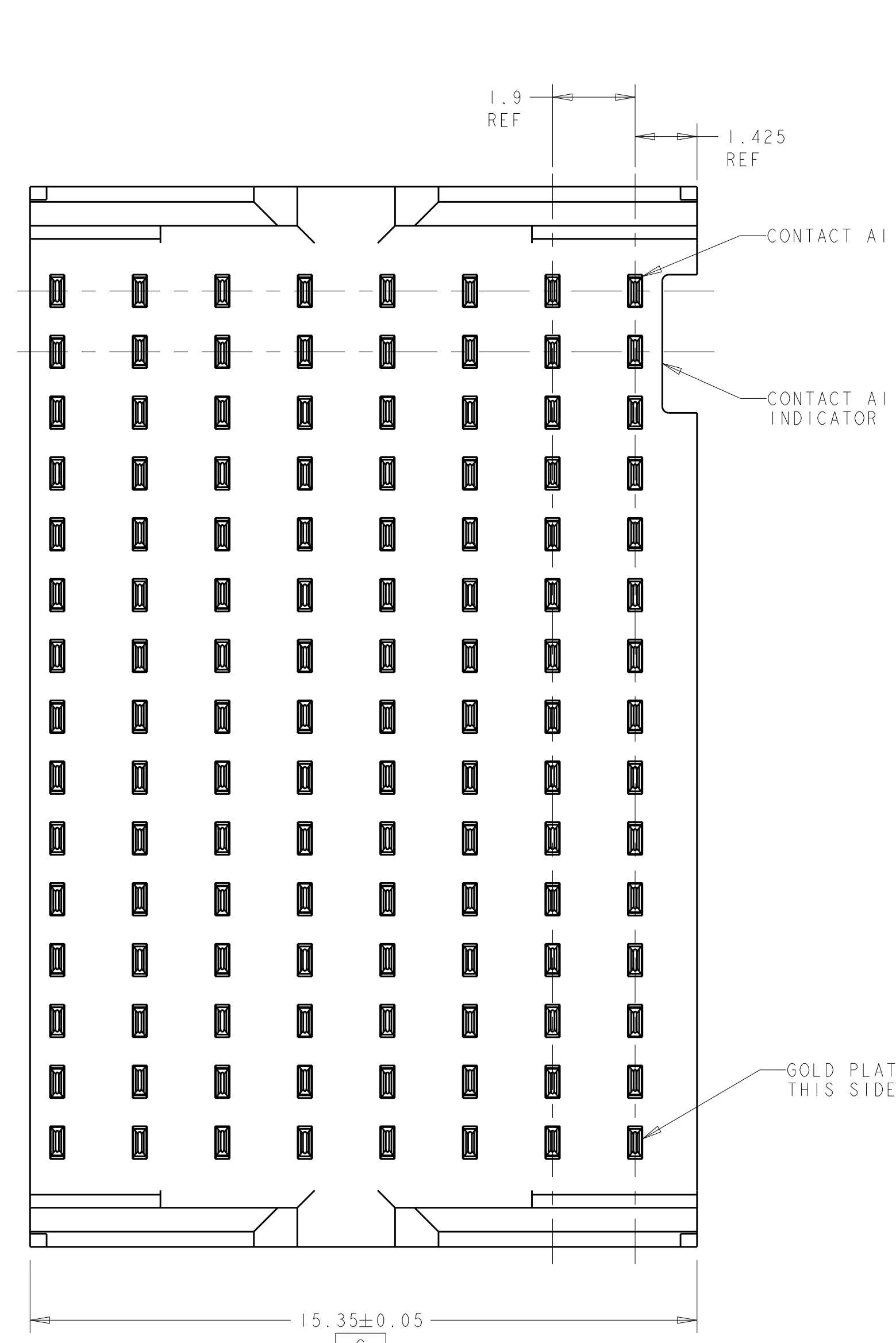
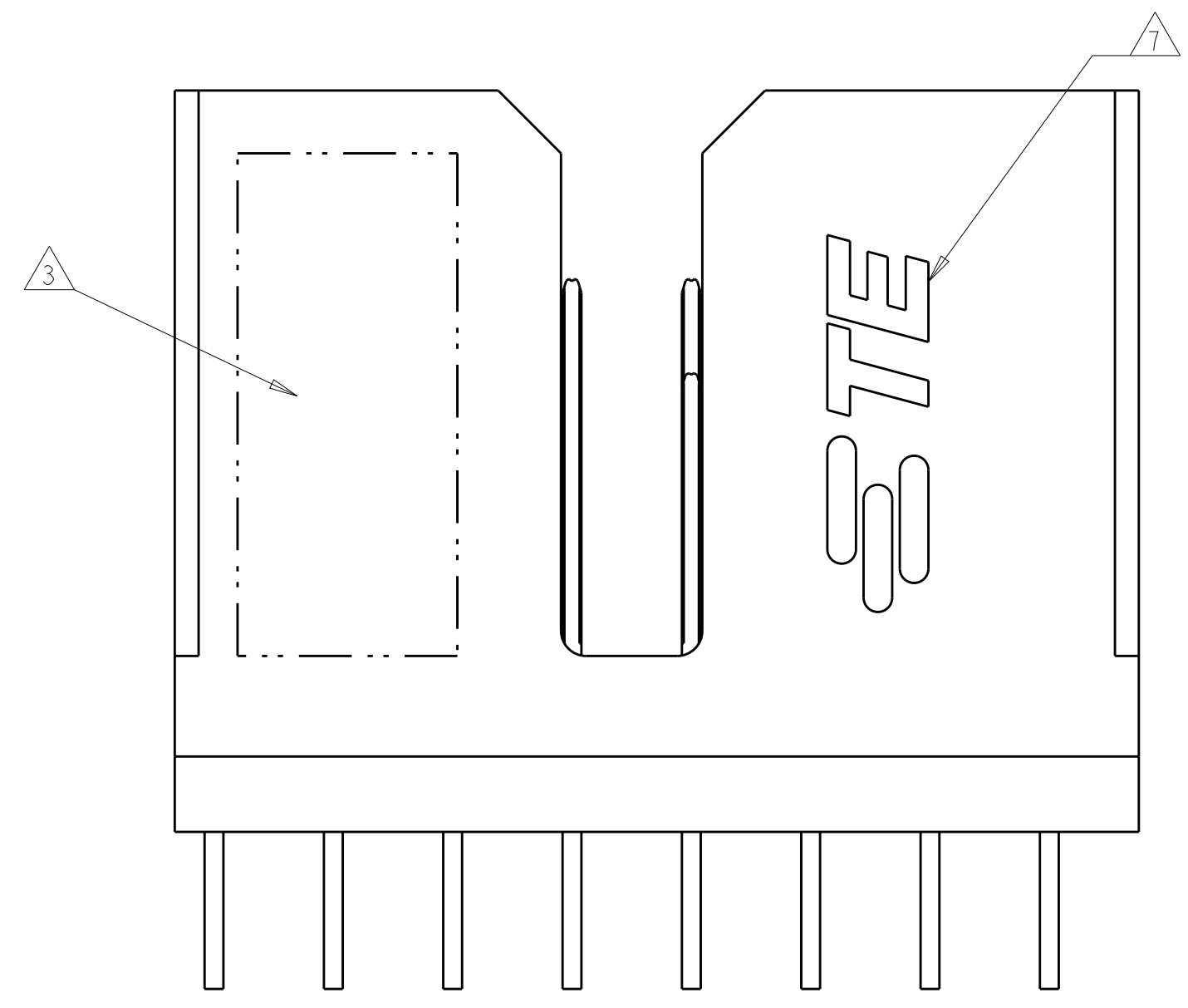
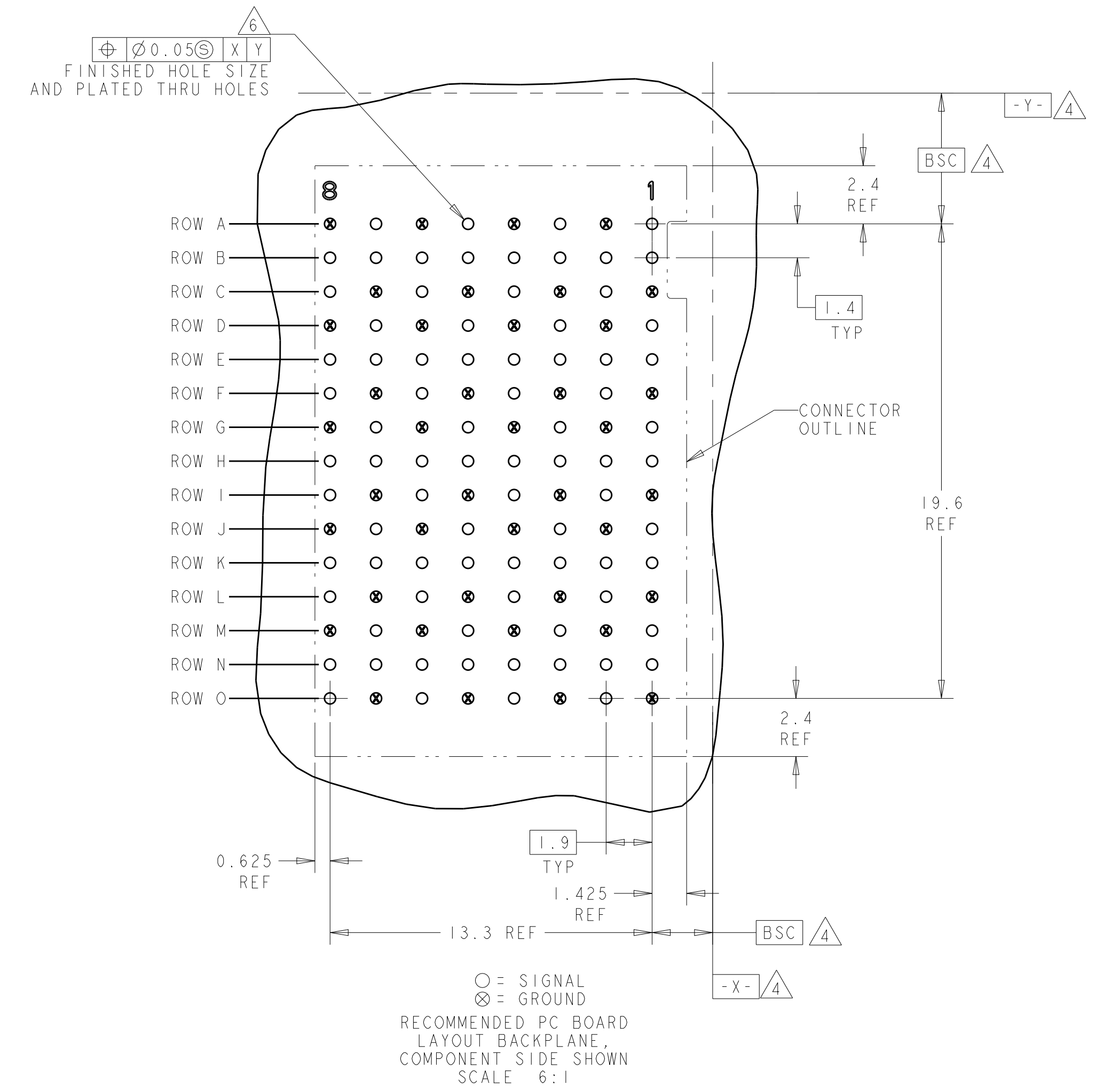


LOC	DIST	REVISIONS			
		REV	DATE	BY	CHKD
AD	00	F	31JUL2013	KH	RP
		G	27JUN2019	AP	SY



- 1 MATERIAL:  
CONTACT - PHOS BRONZE  
HOUSING - LCP, UL 94V-0, COLOR - BLACK
- 2 FINISH:  
CONTACT AREA FINISH CONFORMS TO THE REQUIREMENTS OF TE PRODUCT SPECIFICATION 108-2303; BASED ON TELCORDIA GR-1217-CORE FOR SYSTEM QUALITY LEVEL III APPLICATIONS IN CONTROLLED ENVIRONMENTS (CENTRAL OFFICE).
- 3 CONNECTOR MARKED WITH PART NUMBER, DATE CODE, MANUFACTURING BUILDING CODE AND STANDARD IN APPROXIMATE AREA SHOWN
- 4 DATUMS AND BASIC DIMENSIONS ESTABLISHED BY CUSTOMER.
- 5. CONTACT AREA LUBRICATED WITH BELLCORE APPROVED LUBRICANT, TECHNICAL REFERENCE GR-1217-CORE, ISSUE 1, NOVEMBER 1995.
- 6 REFERENCE APPLICATION SPEC 114-13202 FOR RECOMMENDED PLATED THRU HOLE DIAMETER AND PLATING THICKNESSES.
- 7 SHOWN LOGO OR OTHER TE OWNED LOGOS IN APPROXIMATE AREA.



1934269-1  
PART NUMBER

THIS DRAWING IS A CONTROLLED DOCUMENT.		OWN S. MAGARO 03MAY2007	TE Connectivity NAME HEADER ASSEMBLY, OPEN ENDED, 5 PAIR, 8 COLUMN TinMan
DIMENSIONS:		CHK W. DAVIS 03MAY2007	
mm	TOLERANCES UNLESS OTHERWISE SPECIFIED:	APVD P. PATTERSON 27AUG2007	PRODUCT SPEC
0 PLC ±	1 PLC ±	APPLICATION SPEC	SIZE CAGE CODE DRAWING NO
2 PLC ±	3 PLC ±	WEIGHT	A100779C=1934269
4 PLC ±	ANGLES ±	CUSTOMER DRAWING	SCALE 10:1 SHEET 1 OF 1 REV G
MATERIAL	FINISH		