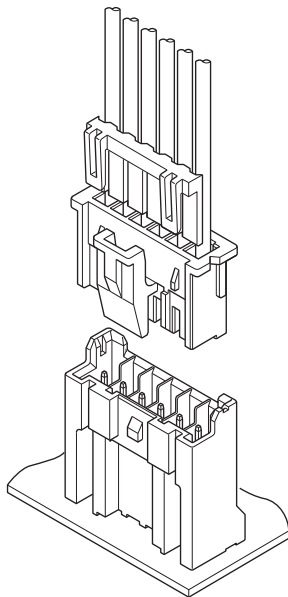




# PXA CONNECTOR

2.5 mm pitch/Wire-to-Board connectors/Crimp style and Mating style



This is the retainer mountable 2.5 mm pitch high-box type connector with 20.5 mm mounting height.

Fully shrouded header provides a structure that is resistant to vibration and prying.

- Secure lock mechanism
- Fully shrouded header
- Header suitable for potting process
- PC board layout is exactly same as XA connector
- Retainer mountable type

## Specifications

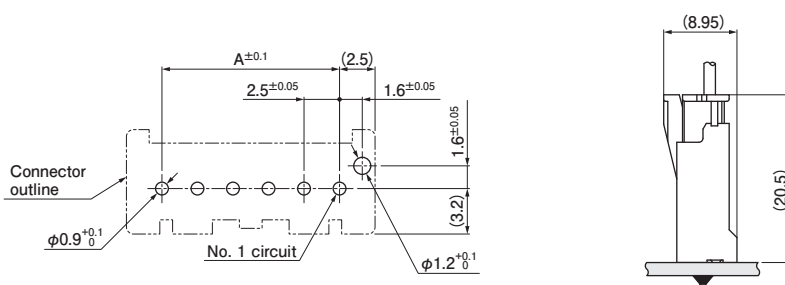
- Current rating: 3 A AC/DC (AWG #22)
  - Voltage rating: 250 V AC/DC
  - Temperature range: -25°C to +85°C  
(including temperature rise in applying electrical current)
  - Contact resistance:
    - Initial value/ 10 mΩ max.
    - After environmental tests/ 20 mΩ max.
  - Insulation resistance: 1,000 MΩ min.
  - Withstanding voltage:
    - There shall be no breakdown or flashover while applying 1,000 VAC for one minute.
  - Applicable wire range:
    - Conductor size/ AWG #26 to AWG #22
    - Insulation O.D. / φ 1.2 mm to φ 1.9 mm
  - Applicable PC board thickness: 1.6 mm
- \* Please refer to the "Handling Precautions for Terminals and Connectors" on our website (listed in the "Technical Documents" column on the Product Information page) before use.
- \* RoHS2 compliance
- \* Dimensional unit: mm
- \* Contact JST for details.

## Standards

For information on overseas standard registrations, please refer to the "List of Registered Overseas Standards" on our website (listed in the "Technical Documents" column on the Product Information page).

\* Specifications registered to overseas standards may differ from the general specifications listed above.

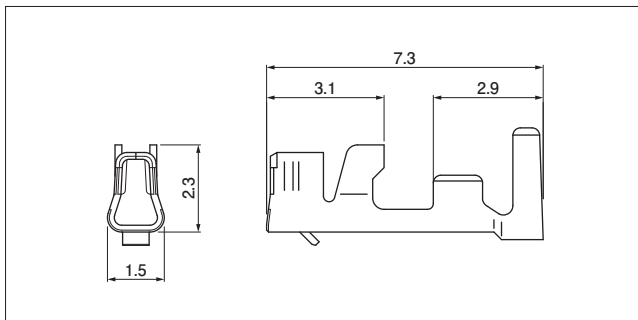
## PC board layout and Assembly layout



- Note: 1. The PC board layout is the figure viewed from the connector mounting side.  
 2. Dimension A: See "Header" section on page 2.  
 3. Tolerance for the PCB hole pitch shall be  $\pm 0.05$ , and shall not accumulate more than  $\pm 0.1$ .  
 4. Hole dimensions differ according to the type of PC board and piercing method.  
 Larger hole diameters are required when using the hard material such as glass fabric PC board.  
 The above dimensions are reference values. Please contact JST for details.

# PXA CONNECTOR

## Contact



Model No.	Applicable wire range		Q'ty/ reel	
	Conductor size	AWG (mm <sup>2</sup> )		Insulation O.D. (mm)
SPXA-001T-P0.6	#26 to #22	(0.13 to 0.33)	1.2 to 1.9	7,000

Material and Surface finish, etc.

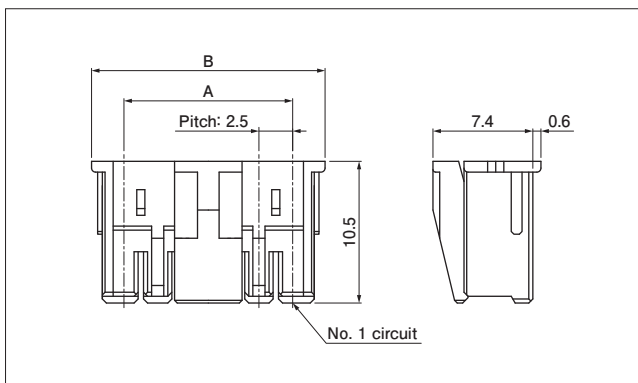
Phosphor bronze, tin-plated

## Crimping machine

Contact	Crimping machine	Applicator	Crimp applicator with dies
SPXA-001T-P0.6	AP-K2N	MKS-L	APLMK SPXA001-06

Note: Contact JST for fully automatic crimping applicator.

## Housing



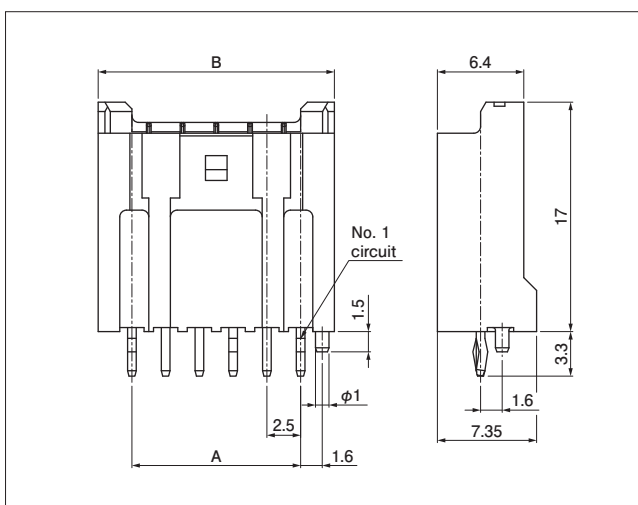
No. of circuits	Model No.	Dimensions (mm)		Q'ty/bag
		A	B	
2	PXARP-02V	2.5	7.3	1,000
3	PXARP-03V	5.0	9.8	1,000
6	PXARP-06V	12.5	17.3	1,000

Material and Surface finish, etc.

PA 66, natural (white)

Note: For flame retardant grade of resin material used, please refer to the "List of Registered Overseas Standards" on our website (listed in the "Technical Documents" column on the Product Information page).

## Header



No. of circuits	Model No.	Dimensions (mm)		Q'ty/box
		A	B	
2	BH02B-PXASK	2.5	7.5	400
3	BH03B-PXASK	5.0	10.0	400
6	BH06B-PXASK	12.5	17.5	200

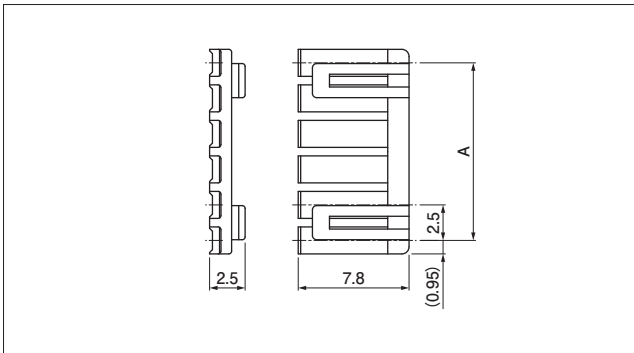
Material and Surface finish, etc.

Post: Copper alloy, copper-undercoated, tin-plated  
Wafer: PA 66 (Glass-filled), natural (ivory)

Note: 1. This product displays (LF)(SN) on a label.  
2. For flame retardant grade of resin material used, please refer to the "List of Registered Overseas Standards" on our website (listed in the "Technical Documents" column on the Product Information page).

# PXA CONNECTOR

## Retainer



No. of circuits	Model No.	A	Q'ty/bag
2	XMS-02V	2.5	1,000
3	XMS-03V	5.0	1,000
6	XMS-06V	12.5	1,000

Material and Surface finish, etc.

PA 66 (Glass-filled), natural (ivory)

Note: For flame retardant grade of resin material used, please refer to the "List of Registered Overseas Standards" on our website (listed in the "Technical Documents" column on the Product Information page).

## Model number allocation

### Contact

**S PXA - 001 T - P 0.6**

Supply form: Strip form	S
Series name	PXA
Applicable wire range: AWG #26 to AWG #22	001
Surface finish: Tin-plated	T
Material: Phosphor bronze	P
Applicable post size	0.6

### Housing

**PXA RP - 02 V - ■**

Series name	PXA
Type: Plug (Retainer mountable type)	RP
No. of circuits	02
Auxiliary symbol	V
Color: Blank...Natural (White), K...Black, R...Red, E...Blue	■

### Header

**BH 02 B - PXA S K**

Header type: Top entry type High-box	BH
No. of circuits	02
Assembly product	B
Series name	PXA
Color: S...Natural (Ivory), R...Red, E...Blue	S
Clinched (Kinked) / Not clinched: Blank...Straight K...Clinched	K

### Retainer

**XM S - 02 V**

Series name	XM
Type: Retainer	S
No. of circuits	02
Auxiliary symbol	V