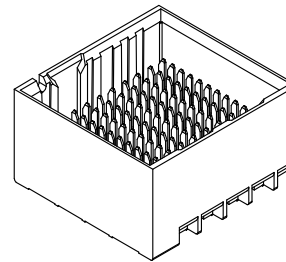


- NOTES:
- MATERIALS: HOUSING - LIQUID CRYSTAL POLYMER (LCP) GLASS-FILLED, UL94V-0  
TERMINALS - HIGH PERFORMANCE COPPER ALLOY
  - FINISH: 30µ INCH MIN GOLD IN CONTACT AREA.  
SELECTIVE MATTE TIN ON PCB TAILS, NICKEL OVERALL.
  - REFER TO MOLEX PRODUCT SPECIFICATION PS-170540-999 FOR PERFORMANCE SPECIFICATIONS AND ADDITIONAL PCB INFORMATION.
  - THIS PART CONFORMS TO CLASS B REQUIREMENTS OF MOLEX COSMETIC SPEC PS-45499-002.
  - PARTS PACKAGED PER PK-70873-7701.
  - SEE SHEETS 2 & 3 FOR PART NUMBERS AND BOARD RELATIONSHIPS.
  - REFER TO MOLEX PCB ROUTING GUIDE AS-76060-990 FOR ANTIPAD AND ROUTING RECOMMENDATIONS.
  - \*THESE DIMENSIONS REPRESENT THE AREA NEEDED TO ACCOMMODATE CONNECTOR INSERTION AND REPAIR ON THE PC BOARD. THIS IS REFERRED TO AS THE "CONNECTOR KEEP OUT ZONE" AND DOES NOT REPRESENT THE ACTUAL PERIMETER OF THE CONNECTOR. WHEN LAYING OUT A PC BOARD FOR CONNECTORS STACKED TOGETHER, USE A 1.9mm PROGRESSION.\*
  - MINIMUM CIRCUIT BOARD THICKNESS: 1.0mm

<b>REV. DIM A ON CHART FOR OPEN WALL OPT. ON SHT 2</b> IEC NO.: UCP2013-4978 T IDRWINSVANG01 2013/05/14 CHYKHOMOLFE 2013/05/14 APPR:SMILLER 2013/05/20	QUALITY SYMBOLS ∇=0 ∇=0 ∇=0	GENERAL TOLERANCES (UNLESS SPECIFIED)		DIMENSION STYLE <b>MM ONLY</b>	SCALE <b>4:1</b>	DESIGN UNITS <b>METRIC</b>	THIRD ANGLE PROJECTION																	
		<table border="1"> <tr> <th></th> <th>mm</th> <th>INCH</th> </tr> <tr> <td>4 PLACES</td> <td>± .008</td> <td>± .0005</td> </tr> <tr> <td>3 PLACES</td> <td>± .013</td> <td>± .0005</td> </tr> <tr> <td>2 PLACES</td> <td>± 0.13</td> <td>± .005</td> </tr> <tr> <td>1 PLACE</td> <td>± 0.25</td> <td>± .010</td> </tr> <tr> <td>0 PLACE</td> <td>± .000</td> <td>± .000</td> </tr> </table>		mm	INCH	4 PLACES		± .008	± .0005	3 PLACES	± .013	± .0005	2 PLACES	± 0.13	± .005	1 PLACE	± 0.25	± .010	0 PLACE	± .000	± .000	DRAWN BY JB INGHAM	DATE 2010/05/11	TITLE <b>IMPACT 4-PAIR 85-OHM UNGUIDED BACKPLANE SALES ASSEMBLY DRAWING</b>
			mm	INCH																				
		4 PLACES	± .008	± .0005																				
		3 PLACES	± .013	± .0005																				
2 PLACES	± 0.13	± .005																						
1 PLACE	± 0.25	± .010																						
0 PLACE	± .000	± .000																						
DRAFT WHERE APPLICABLE MUST REMAIN WITHIN DIMENSIONS	MATERIAL NO. <b>SEE CHART</b>	CHECKED BY JLAURX	DATE 2010/05/11	APPROVED BY JLAURX	DATE 2012/11/16	DOCUMENT NO. <b>SD-170335-0001</b>	SHEET NO. <b>1 OF 3</b>																	
THIS DRAWING CONTAINS INFORMATION THAT IS PROPRIETARY TO MOLEX INCORPORATED AND SHOULD NOT BE USED WITHOUT WRITTEN PERMISSION																								

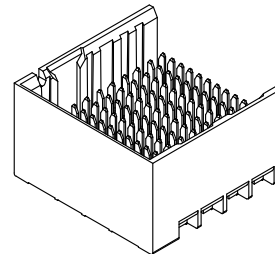
# PART NUMBER CHART

MATERIAL NUMBER	# OF COLUMNS	# OF DIFF PAIR	DIM "A"	DIM "B"	DUAL END WALL OPTION
170335-132*	6	24	14.1	9.50	
170335-182*	8	32	17.9	13.30	
170335-112*	10	40	21.7	17.10	
170335-122*	12	48	25.5	20.90	
170335-142*	14	56	29.3	24.70	
170335-162*	16	64	33.1	28.50	



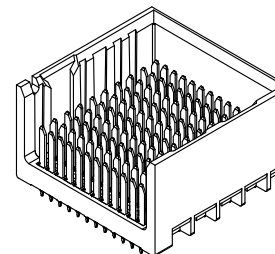
DUAL END  
WALL OPTION

MATERIAL NUMBER	# OF COLUMNS	# OF DIFF PAIR	DIM "A"	DIM "B"	LEFT END WALL OPTION
170335-131*	6	24	12.7	9.50	
170335-181*	8	32	16.5	13.30	
170335-111*	10	40	20.3	17.10	
170335-121*	12	48	24.1	20.90	
170335-141*	14	56	27.9	24.70	
170335-161*	16	64	31.7	28.50	



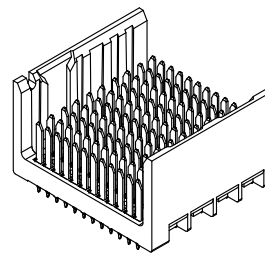
LEFT END  
WALL OPTION

MATERIAL NUMBER	# OF COLUMNS	# OF DIFF PAIR	DIM "A"	DIM "B"	RIGHT END WALL OPTION
170335-133*	6	24	12.7	9.50	
170335-183*	8	32	16.5	13.30	
170335-113*	10	40	20.3	17.10	
170335-123*	12	48	24.1	20.90	
170335-143*	14	56	27.9	24.70	
170335-163*	16	64	31.7	28.50	



RIGHT END  
WALL OPTION

MATERIAL NUMBER	# OF COLUMNS	# OF DIFF PAIR	DIM "A"	DIM "B"	OPEN WALL OPTION
170335-130*	6	24	11.3	9.50	
170335-180*	8	32	15.1	13.30	
170335-110*	10	40	18.9	17.10	
170335-120*	12	48	22.7	20.90	
170335-140*	14	56	26.5	24.70	
170335-160*	16	64	30.3	28.50	



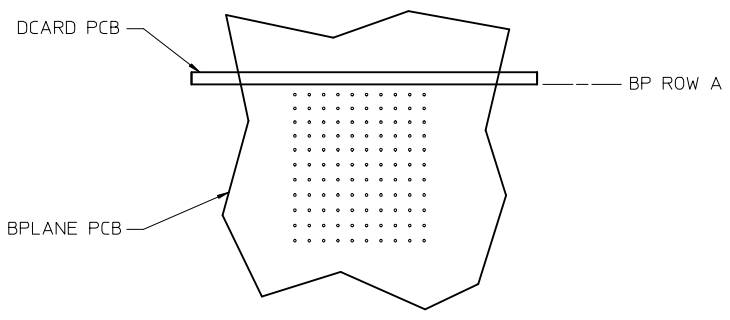
OPEN  
WALL OPTION

## PART NUMBER LOGIC

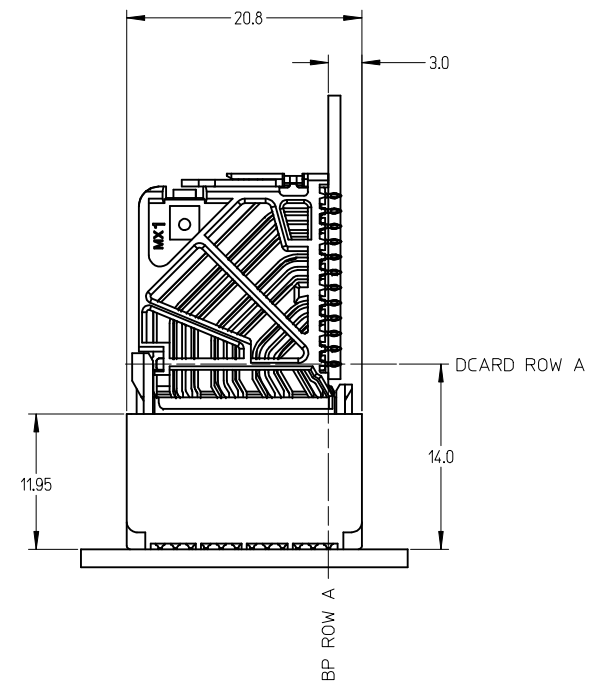
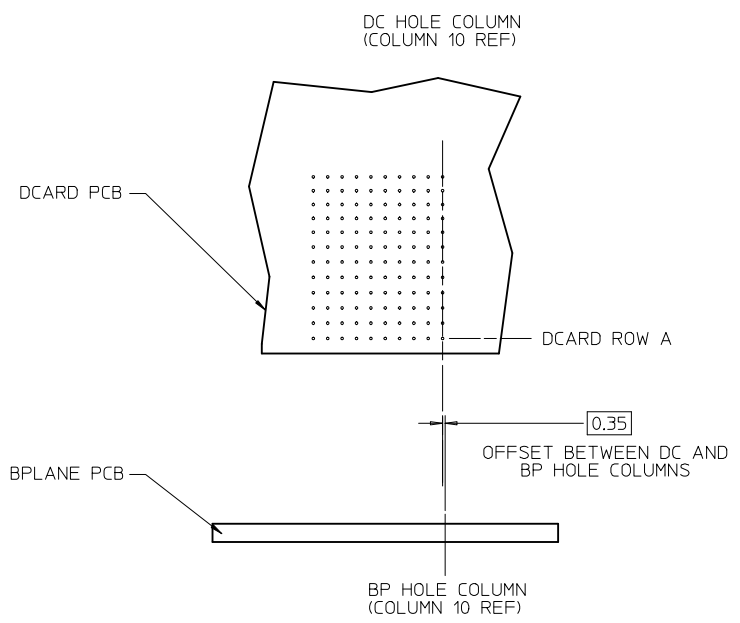
170335-\*\*\*\*

- MODULE TYPE \_\_\_\_\_ PIN LENGTH (P)  
 1 = UNGUIDED, MATTE TIN      3 = 4.50 (SHORT COMPLIANT, 0.46±0.05 PTH)  
 # OF COLUMNS \_\_\_\_\_ 4 = 4.90 (SHORT COMPLIANT, 0.46±0.05 PTH)  
 1 = 10 COL      5 = 5.50 (SHORT COMPLIANT, 0.46±0.05 PTH)  
 2 = 12 COL      6 = 4.50 (MICRO COMPLIANT, 0.39±0.05 PTH)  
 3 = 6 COL      7 = 4.90 (MICRO COMPLIANT, 0.39±0.05 PTH)  
 4 = 14 COL      8 = 5.50 (MICRO COMPLIANT, 0.39±0.05 PTH)  
 6 = 16 COL      END WALL OPTIONS  
 8 = 8 COL      0 = OPEN ENDS  
 1 = LEFT END WALL  
 2 = DUAL END WALL  
 3 = RIGHT END WALL

SEE SHEET 1 EC NO: UCP2013-4948 DRWNS:YANG01 2013/05/14 CHKD:WOLFE 2013/05/14 APPR:SMILLER 2013/05/20	QUALITY SYMBOLS ▽=0 ▽=0 ▽=0	GENERAL TOLERANCES (UNLESS SPECIFIED)		DIMENSION STYLE <b>MM ONLY</b>	SCALE <b>1:1</b>	DESIGN UNITS <b>METRIC</b>	THIRD ANGLE PROJECTION
		4 PLACES ± --- ± --- 3 PLACES ± --- ± --- 2 PLACES ± 0.13 ± --- 1 PLACE ± 0.25 ± --- 0 PLACE ± --- ± ---	mm      INCH	DRAWN BY JB INGHAM	DATE 2010/05/11	TITLE <b>IMPACT 4-PAIR 85-OHM UNGUIDED BACKPLANE SALES ASSEMBLY DRAWING</b>	
DRAFT WHERE APPLICABLE MUST REMAIN WITHIN DIMENSIONS		ANGULAR ±1/2°		APPROVED BY JL AURX	DATE 2012/11/16	MATERIAL NO. <b>SEE CHART</b>	
				DOCUMENT NO. <b>SD-170335-0001</b>	SHEET NO. <b>2 OF 3</b>		
THIS DRAWING CONTAINS INFORMATION THAT IS PROPRIETARY TO MOLEX INCORPORATED AND SHOULD NOT BE USED WITHOUT WRITTEN PERMISSION							



IMPACT 4 PAIR  
BOARD RELATIONSHIPS



SEE SHEET 1 EC NO: UCP2013-4948 DRWNSVANG01 2013/05/14 CHKD:HWOLFE 2013/05/14 APPR:SMILLER 2013/05/20	QUALITY SYMBOLS	GENERAL TOLERANCES (UNLESS SPECIFIED)	DIMENSION STYLE	SCALE	DESIGN UNITS	THIRD ANGLE PROJECTION
	▽=0	mm INCH	MM ONLY	3:1	METRIC	
	▽=0	4 PLACES ± --- ± ---	DRAWN BY DATE	TITLE		
	▽=0	3 PLACES ± --- ± ---	JB INGHAM 2010/05/11	IMPACT 4-PAIR 85-OHM UNGUIDED BACKPLANE SALES ASSEMBLY DRAWING		
	▽=0	2 PLACES ± 0.13 ± ---	CHECKED BY DATE	molex		
	1 PLACE ± 0.25 ± ---	JLAURX 2010/05/11	DOCUMENT NO.			
	0 PLACE ± --- ± ---	APPROVED BY DATE	SD-170335-0001			
		JLAURX 2012/11/16	SHEET NO.			
			3 OF 3			
			THIS DRAWING CONTAINS INFORMATION THAT IS PROPRIETARY TO MOLEX INCORPORATED AND SHOULD NOT BE USED WITHOUT WRITTEN PERMISSION			