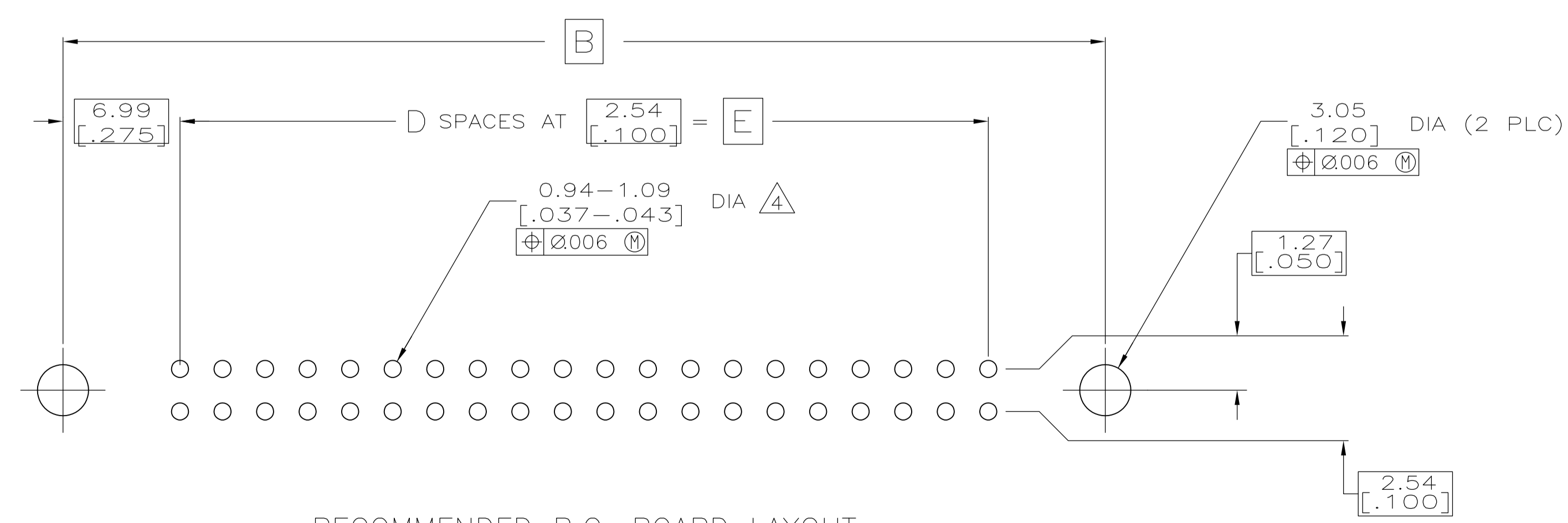
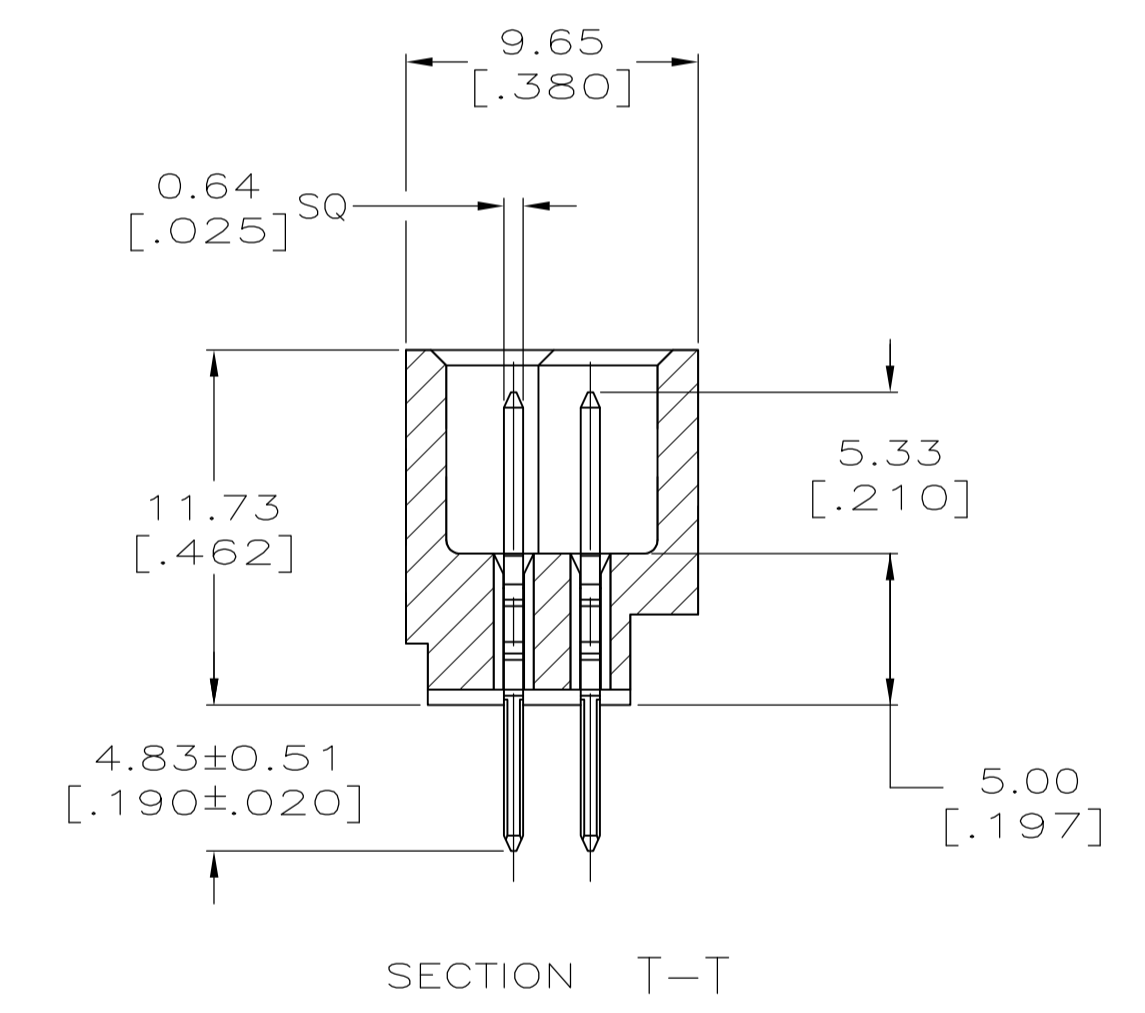
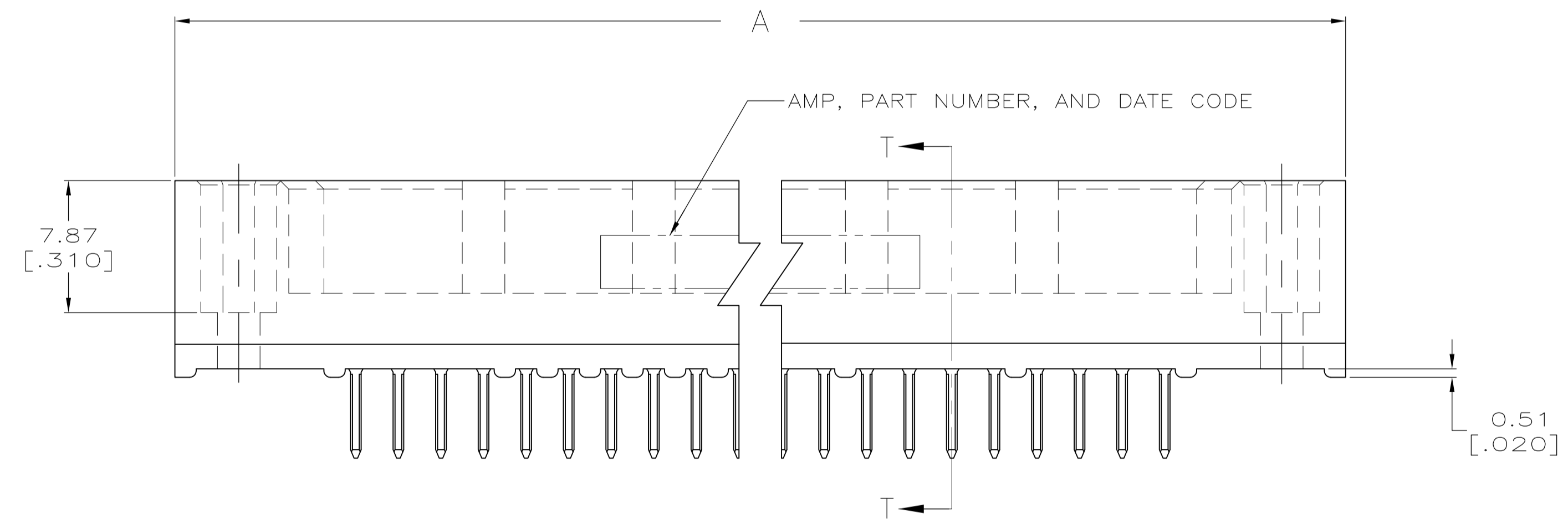
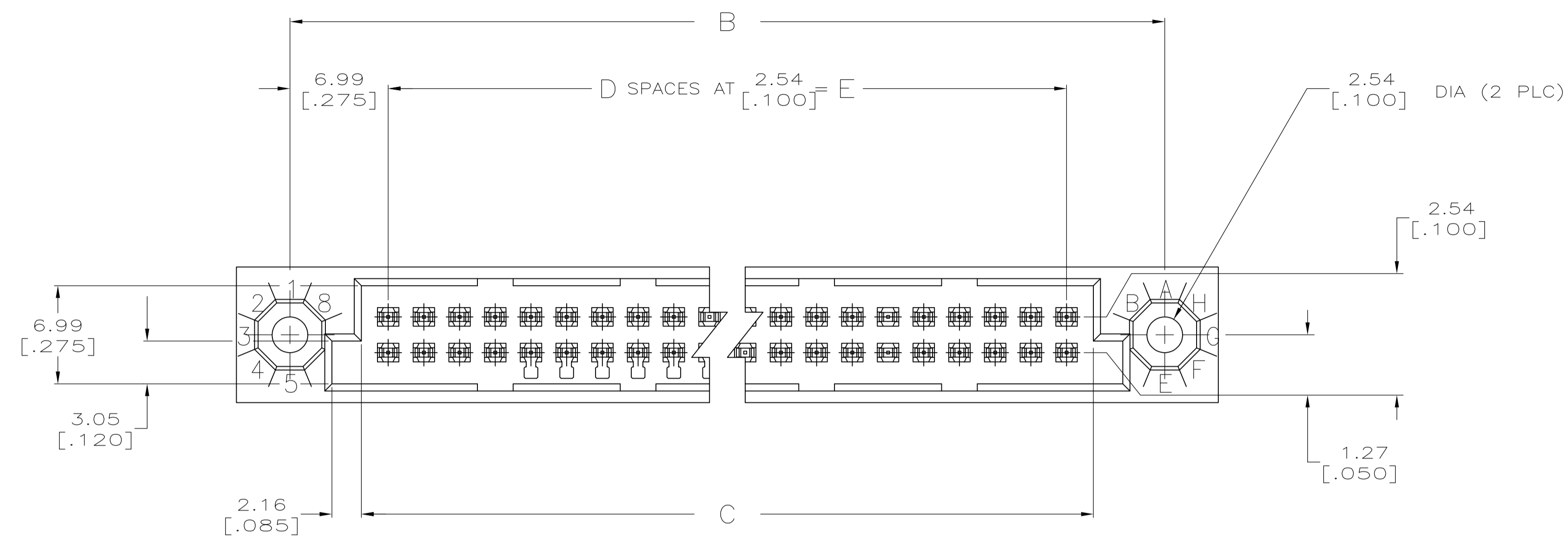


REVISIONS					
P	LTR	DESCRIPTION	DATE	DMN	APVD
R		REV PER ECO-16-009924	11JUL2016	DS	SY



RECOMMENDED P.C. BOARD LAYOUT

THIS DRAWING IS A CONTROLLED DOCUMENT.		DIN R.K. SEIFRIED 04/09/90	TE Connectivity	
DIMENSIONS: mm [INCHES]		CHK F. KIBLER 8-17-92	NAME	
TOLERANCES UNLESS OTHERWISE SPECIFIED:		APVD	PRODUCT SPEC	
0 PLC ± -		APPLICATION SPEC		
1 PLC ± -		SIZE		
2 PLC ± -		CAGE CODE		
3 PLC ± 0.13 [.005]		DRAWING NO		
4 PLC ± -		RESTRICTED TO		
ANGLES ± -		WEIGHT		
MATERIAL		A1 00779C=532430		
FINISH		CUSTOMER DRAWING		
SCALE 4:1		SHEET 1 OF 2		
REV R				

REVISIONS				
P	LTR	DESCRIPTION	DATE	APPV
-		SEE SHEET 1	-	-

- ① HOUSING MATERIAL: THERMOPLASTIC, COLOR-NATURAL.
- ② CONTACT MATERIAL: PHOSPHOR BRONZE.
- ③ FINISH:
MATING AREA: MEETS THE PERFORMANCE REQUIREMENTS OF PRODUCT SPECIFICATION 108-9063; BASED ON TELCORDIA DR-1217-CORE APPLICATIONS IN UNCONTROLLED ENVIRONMENTS.
TIN-LEAD PLATED POSTS.
- ④ SOLDER PIN POST RECOMMENDED P.C. BOARD HOLE SIZES ARE 0.94-1.09 [.037-.043]; RECOMMENDED PAD DIA IS 1.52 [.060].
- 5. DIMENSIONS IN BRACKETS ARE IN INCHES.
- ⑥ PART NUMBER IS OBSOLETE.
- ⑦ OBSOLETE PARTS: OBSOLETE CIS STREAMLINING PER D.RENAUD/D.SINISI
- ⑧ FINISH:
CONTACT FINISH: .00127-.00254 [.000050-.000100] NICKEL UNDERPLATE ALL OVER; .000762 [.000030] GOLD PLATE IN CONTACT AREA, TIN-LEAD PLATED POSTS.

⑧	124.46 [4.900]	49	128.27 [5.050]	138.43 [5.450]	146.05 [5.750]	100	3-532430-9
⑧	73.66 [2.900]	29	77.47 [3.050]	87.63 [3.450]	95.25 [3.750]	60	3-532430-5
⑥	251.46 [9.900]	99	255.27 [10.050]	265.43 [10.450]	273.05 [10.750]	200	1-532430-9
⑥	238.76 [9.400]	94	242.57 [9.550]	252.73 [9.950]	260.35 [10.250]	190	1-532430-8
⑥	226.06 [8.900]	89	229.87 [9.050]	240.03 [9.450]	247.65 [9.750]	180	1-532430-7
⑥	213.36 [8.400]	84	217.17 [8.550]	227.33 [8.950]	234.95 [9.250]	170	1-532430-6
⑥	200.66 [7.900]	79	204.47 [8.050]	214.63 [8.450]	222.25 [8.750]	160	1-532430-5
	187.96 [7.400]	74	191.77 [7.550]	201.93 [7.950]	209.55 [8.250]	150	1-532430-4
⑥	175.26 [6.900]	69	179.07 [7.050]	189.23 [7.450]	196.85 [7.750]	140	1-532430-3
⑥	162.56 [6.400]	64	166.37 [6.550]	176.53 [6.950]	184.15 [7.250]	130	1-532430-2
⑥	149.86 [5.900]	59	153.67 [6.050]	163.83 [6.450]	171.45 [6.750]	120	1-532430-1
	137.16 [5.400]	54	140.97 [5.550]	151.13 [5.950]	158.75 [6.250]	110	1-532430-0
	124.46 [4.900]	49	128.27 [5.050]	138.43 [5.450]	146.05 [5.750]	100	532430-9
⑥	111.76 [4.400]	44	115.57 [4.550]	125.73 [4.950]	133.35 [5.250]	90	532430-8
⑥	99.06 [3.900]	39	102.87 [4.050]	113.03 [4.450]	120.65 [4.750]	80	532430-7
⑥	86.36 [3.400]	34	90.17 [3.550]	100.33 [3.950]	107.95 [4.250]	70	532430-6
	73.66 [2.900]	29	77.47 [3.050]	87.63 [3.450]	95.25 [3.750]	60	532430-5
⑥	60.96 [2.400]	24	64.77 [2.550]	74.93 [2.950]	82.55 [3.250]	50	532430-4
	48.26 [1.900]	19	52.07 [2.050]	62.23 [2.450]	69.85 [2.750]	40	532430-3
	35.56 [1.400]	14	39.37 [1.550]	49.53 [1.950]	57.15 [2.250]	30	532430-2
⑥	22.86 [.900]	9	26.67 [1.050]	36.83 [1.450]	44.45 [1.750]	20	532430-1
	E	D	C	B	A	POSN	PART NUMBER

OBSOLETE

THIS DRAWING IS A CONTROLLED DOCUMENT.		DIN R.K. SEIFRIED 04/09/90		STE TE Connectivity	
DIMENSIONS: mm [INCHES]		TOLERANCES UNLESS OTHERWISE SPECIFIED:		NAME	
0 PLC ± -		1 PLC ± -		HDI, 2 ROW, PIN ASSEMBLY,	
2 PLC ± -		3 PLC ± 0.13 [.005]		4.83 [.190] LONG SOLDER PINS	
4 PLC ± -		ANGLES ± -		RESTRICTED TO	
MATERIAL		FINISH		WEIGHT 0	
				A1 00779 532430	
				CUSTOMER DRAWING	
				SCALE 4:1 SHEET 2 OF 2 REV R	