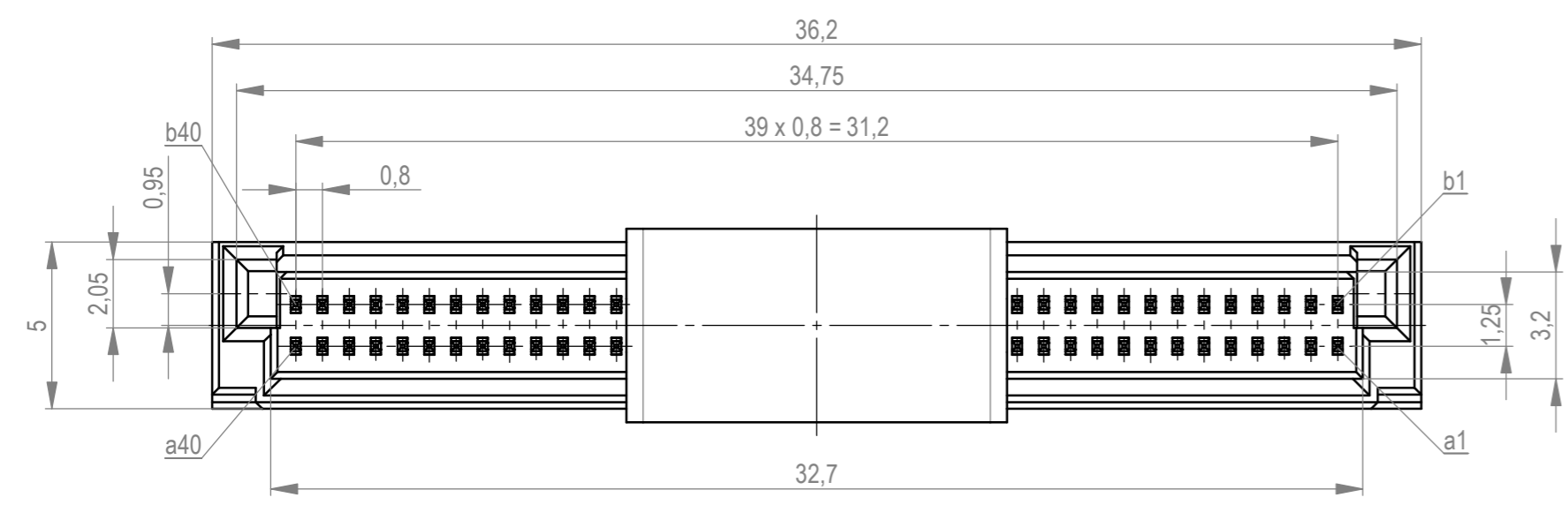
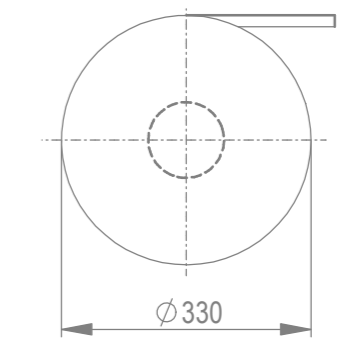
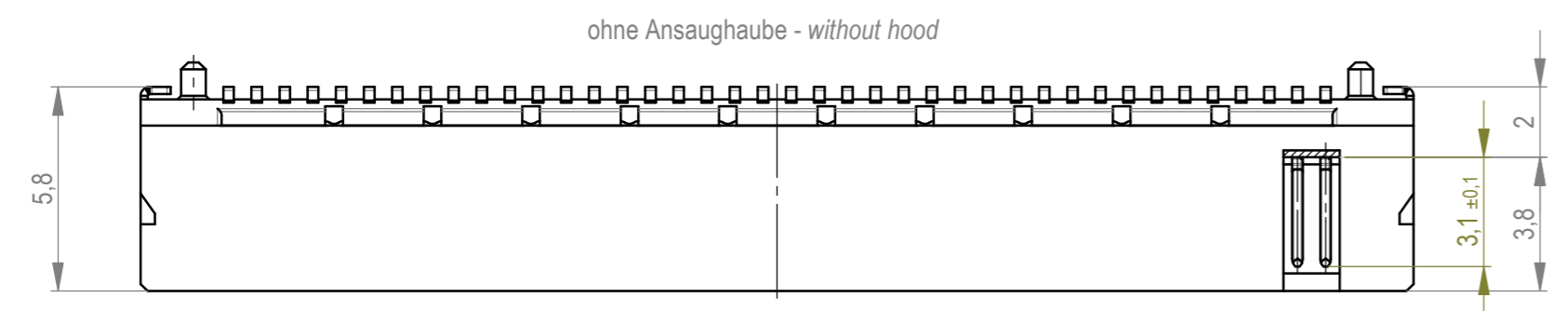
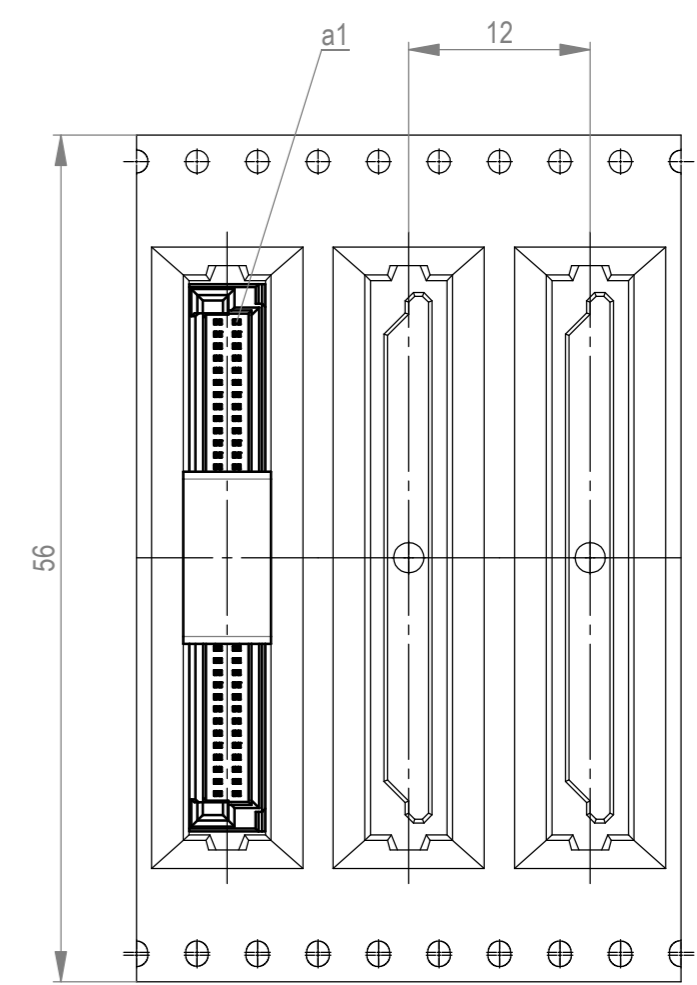


Verpackt im Gurt in Anlehnung an DIN IEC 60286-3
 tape on reel packaging according to DIN IEC 60286-3
 Verpackungseinheit: 720 Stück
 packaging unit: 720 pcs

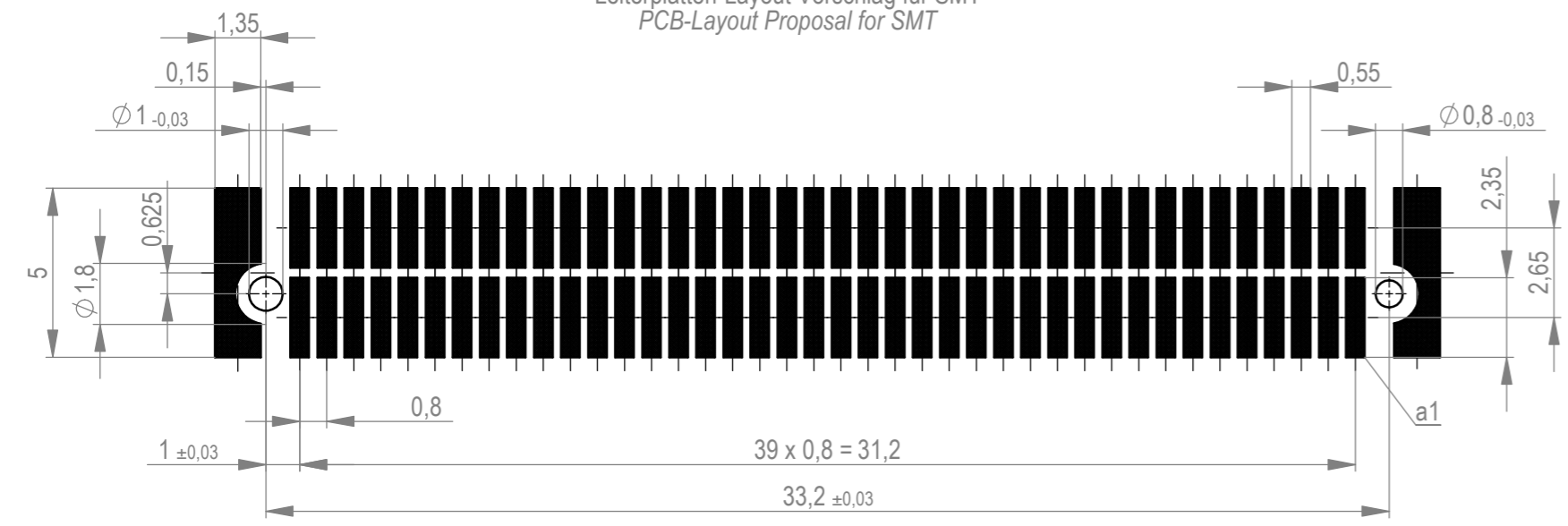


Abspulrichtung - reel off direction



Anforderungsstufe 1
 performance level 1
 Kontaktbereich vergoldet
 mating area gold plating
 Anschlussbereich verzinkt 4-6 µm
 terminal area 4-6 µm tin plating
 Koplanarität der Anschlüsse ≤ 0,1 mm
 coplanarity area of termination ≤ 0,1 mm

Leiterplatten-Layout Vorschlag für SMT
 PCB-Layout Proposal for SMT



Für weitere Layout Details siehe Zeichnung: 494901-E
 For further layout details see drawing: 494901-E

Die deutsche Version dieser Zeichnung dient nur zur Erläuterung der
 Handlung. Bei Abweichungen vom englischen Original gilt das
 englische Original. In case of any deviation from the original
 drawing the English version shall prevail.
 The German version of this drawing has been offered for convenience only
 and may deviate from the original.
 In case of any deviation the English version shall prevail.
 The English version of this drawing has been offered for convenience only
 and may deviate from the original.
 In case of any deviation the English version shall prevail.
 The German version of this drawing has been offered for convenience only
 and may deviate from the original.
 In case of any deviation the English version shall prevail.

Dimension no.	Tolerances	Scale	5:1
	ISO 8015	Material	
Customer drawing:	Subject to modification without prior notice. Drawing will not be updated.		
This Drawing is a controlled Document.	TE Connectivity C-294153-E		
e1	20.05.2023		C
Index	Date		A2
		Class	DRCQ