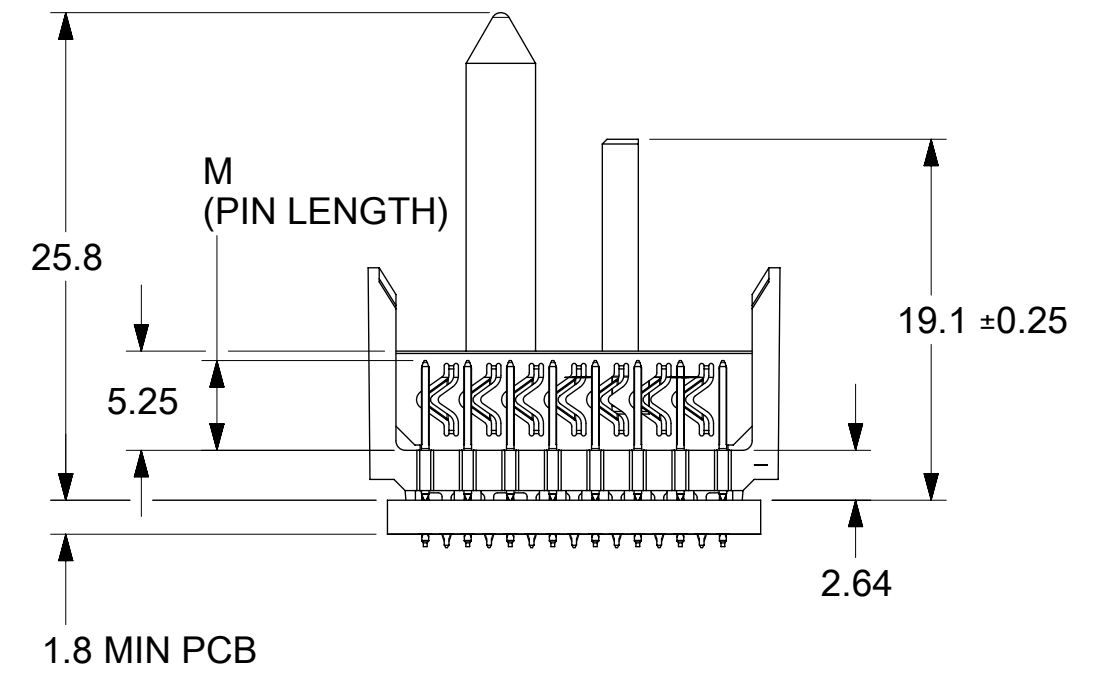
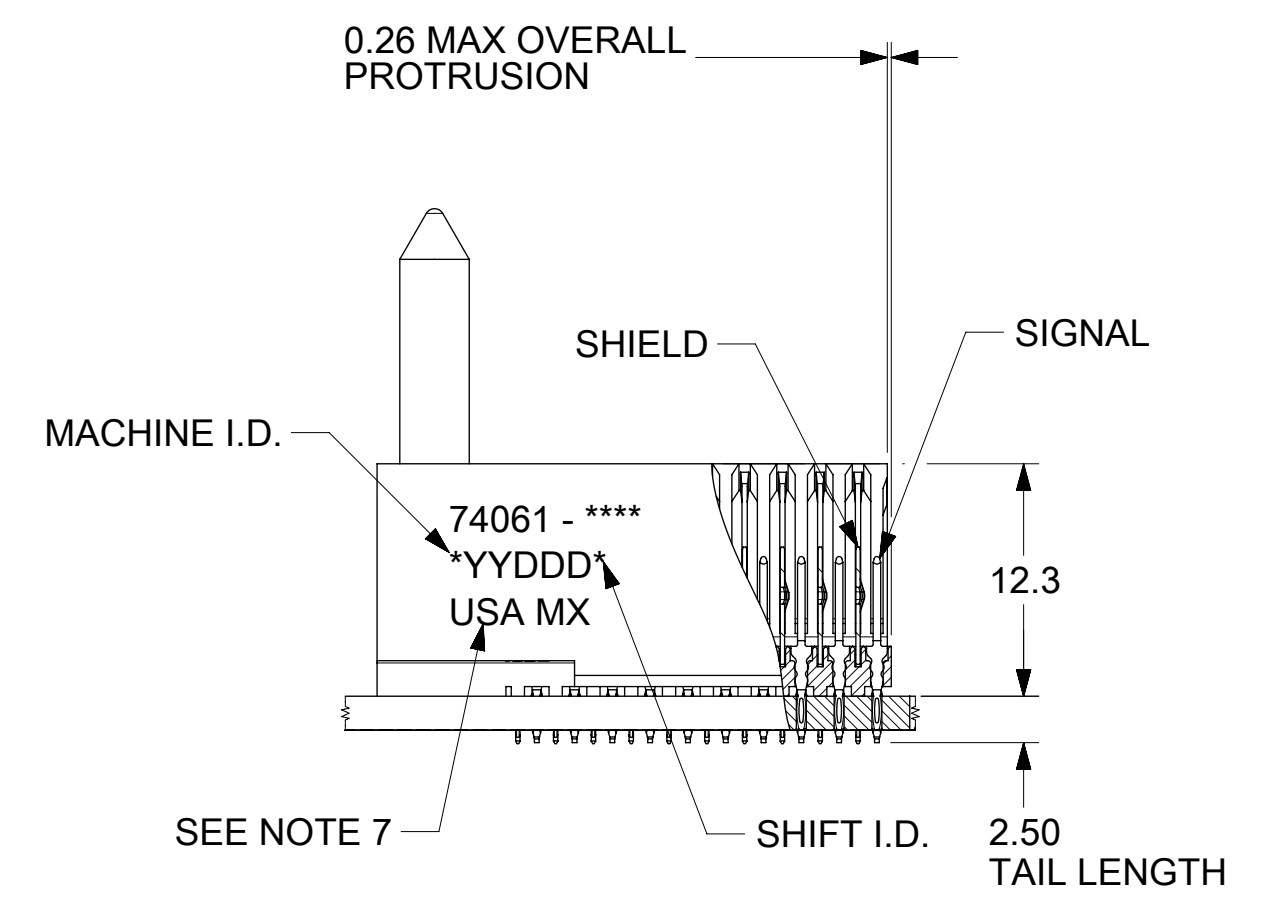


BACKPLANE HOLE PATTERN  
RECOMMENDED DIMENSION



- NOTES:
1. MATERIALS:  
HOUSING - LIQUID CRYSTAL POLYMER (LCP),  
GLASS-FILLED, UL 94V-0, COLOR: BLACK  
SIGNAL PIN & SHIELD - COPPER ALLOY
  2. FINISHES:  
CONTACT AREA: SELECTIVE GOLD (Au)  
PCB TAILS: SELECTIVE MATTE TIN (Sn)  
NICKEL (Ni) OVERALL.
  3. THIS PART CONFORMS TO MOLEX PRODUCT SPECIFICATION PS-74031-999
  4. FOR MIXED CONTACT LENGTHS CONSULT MOLEX FOR AVAILABILITY
  5. FOR SPECIFIC MATERIAL NUMBERS & MATING INFORMATION REFER TO SHEET 2
  6. PACKAGE PER PK-74061-003
  7. MARK PART WITH PART NUMBER & DATE CODE APPROXIMATELY WHERE SHOWN
  8. MAPS (MOLEX ADVANCED PLATING SYSTEM).

THE PRIMARY CARTON WITH A LABEL STATING "ELV AND RoHS COMPLAINT" IS LEAD FREE. CARTONS WITHOUT THIS LABEL MAY CONTAIN LEAD.

FUNCTIONAL SYMBOLS FA = 0 FC = 0 FP = 0	THIS DRAWING CONTAINS INFORMATION THAT IS PROPRIETARY TO MOLEX ELECTRONIC TECHNOLOGIES, LLC AND SHOULD NOT BE USED WITHOUT WRITTEN PERMISSION		CURRENT REV DESC: SEE REVISION TABLE ON SHEET 3	
	DIMENSION UNITS	SCALE		
	mm	2.5:1		
	GENERAL TOLERANCES (UNLESS SPECIFIED)			
DIVISIONAL SYMBOLS		MM	INCH	
	4 PLACES	±	±	
	3 PLACES	±	±	
	2 PLACES	±	±	
	1 PLACE	±	±	
0 PLACES	±	±		
	ANGULAR TOL	± 0.5°		
DRAFT WHERE APPLICABLE MUST REMAIN WITHIN DIMENSIONS		THIRD ANGLE PROJECTION		DRAWING SERIES
				C-SIZE 74061

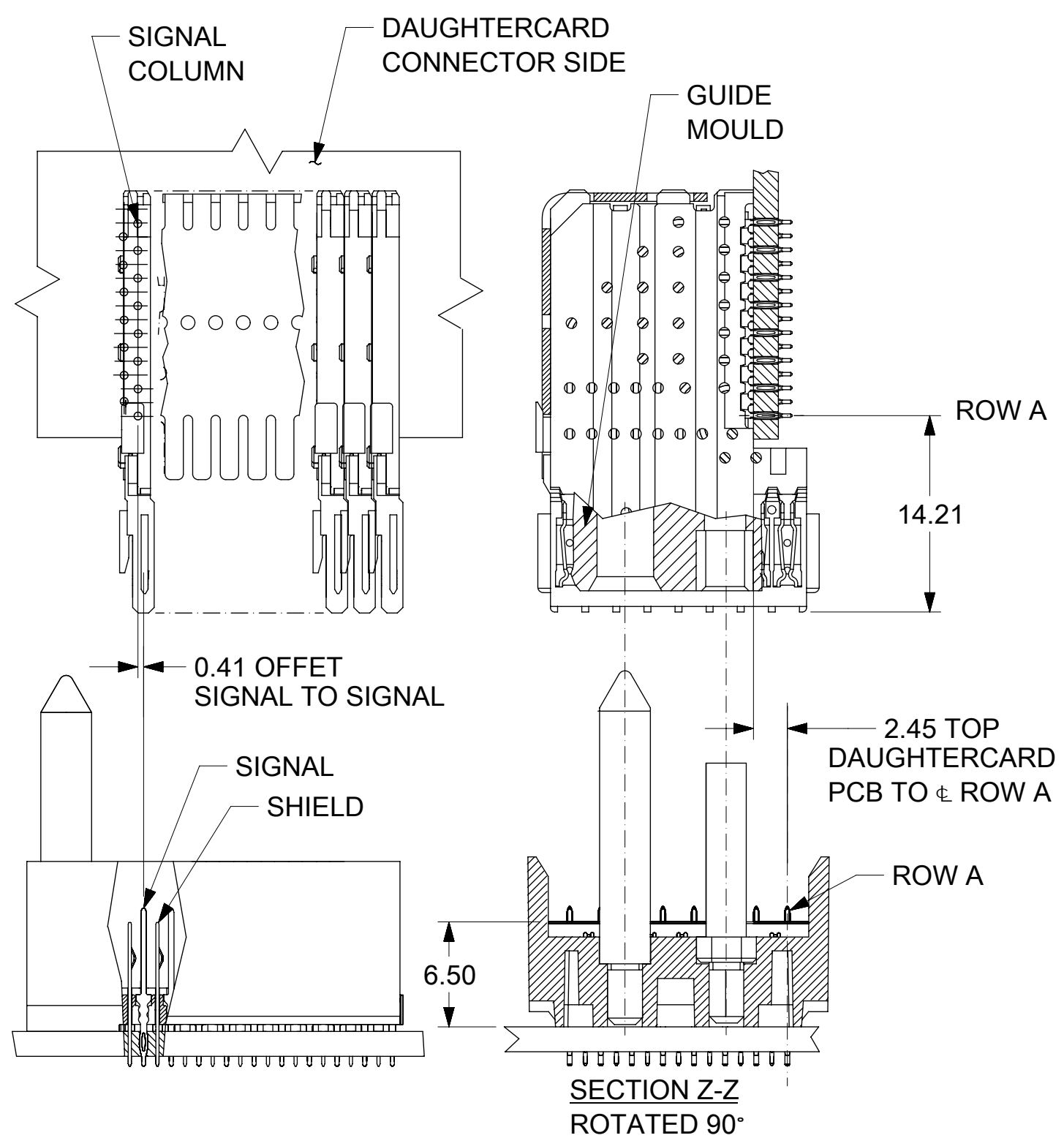
EC NO: 708673		2022/05/26	
DRWN: SANTHN		2022/06/22	
CHK'D: GGA		2022/06/22	
APPR: GGA		2022/06/22	
INITIAL REVISION:			
DRWN: JMELTON		2010/05/19	
APPR: SMILLER		2010/07/14	
DOCUMENT NUMBER	DOC TYPE	DOC PART	REVISION
SD-74061-002	PSD	001	P1
MATERIAL NUMBER	CUSTOMER	SHEET NUMBER	
SEE CHART	GENERAL MARKET	1 OF 3	

TABLE 3									
M/N 74061 - ( )	** 0 *	** 1 *	** 2 *	** 3 *	** 4 *	** 5 *	** 6 *	** 7 *	** 8 *
KEYING PIN ORIENTATION	O	A	B	C	D	E	F	G	H

74061 - \* \* \* \*

NUMBER OF COLUMNS/PLATING  
 10 = 10 COLUMN MATTE TIN (FORMERLY TIN/LEAD)  
 12 = 12 COLUMN MATTE TIN (FORMERLY TIN/LEAD)  
 25 = 25 COLUMN MATTE TIN (FORMERLY TIN/LEAD)  
 60 = 10 COLUMN MATTE TIN (MAPS)  
 62 = 12 COLUMN MATTE TIN (MAPS)  
 75 = 25 COLUMN MATTE TIN (MAPS)  
 90 = 10 COLUMN MATTE TIN  
 92 = 12 COLUMN MATTE TIN  
 85 = 25 COLUMN MATTE TIN

CONTACT LOAD  
 (PIN LENGTH)  
 1 & 6 = 4.75  
 2 & 7 = 6.25  
 3 & 8 = 4.25  
 4 & 9 = 5.15



PART NUMBER	COLUMN	NUMBER OF SIGNAL PIN	NUMBER OF SHIELD	A	B	M	GOLD THICKNESS MICROMETER	TIN THICKNESS MICROMETER
74061-60*1	10	80	10	27.00	18.00	4.75	0.25 MAPS	0.76-1.52
74061-*0*1							0.76	
74061-*0*6							1.27	
74061-75*1	25	200	25	57.00	48.00	6.25	0.25 MAPS	
74061-*5*1							0.76	
74061-*5*6							1.27	
74061-60*2	10	80	10	27.00	18.00	4.25	0.25 MAPS	
74061-*0*2							0.76	
74061-*0*7							1.27	
74061-75*2	25	200	25	57.00	48.00	5.15	0.25 MAPS	
74061-*5*7							0.76	
74061-*5*8							1.27	
74061-60*3	10	80	10	27.00	18.00	4.75	0.25 MAPS	
74061-*0*8							0.76	
74061-75*3							1.27	
74061-75*3	25	200	25	57.00	48.00	6.25	0.25 MAPS	
74061-*5*8							0.76	
74061-*5*8							1.27	
74061-60*4	10	80	10	27.00	18.00	5.15	0.25 MAPS	
74061-*0*4							0.76	
74061-*0*9							1.27	
74061-75*4	25	200	25	57.00	48.00	4.25	0.25 MAPS	
74061-*5*4							0.76	
74061-*5*9							1.27	

PART NUMBER	COLUMN	NUMBER OF SIGNAL PIN	NUMBER OF SHIELD	A	B	M	GOLD THICKNESS MICROMETER	TIN THICKNESS MICROMETER
74061-62*1	12	96	12	31.00	22.00	4.75	0.25 MAPS	0.76-1.52
74061-*2*1							0.76	
74061-*2*6							1.27	
74061-62*2	12	96	12	31.00	22.00	6.25	0.25 MAPS	
74061-*2*7							0.76	
74061-*2*7							1.27	
74061-62*3	12	96	12	31.00	22.00	4.25	0.25 MAPS	
74061-*2*8							0.76	
74061-*2*8							1.27	
74061-62*4	12	96	12	31.00	22.00	5.15	0.25 MAPS	
74061-*2*9							0.76	
74061-*2*9							1.27	

FUNCTIONAL SYMBOLS:  $F_A = 0$ ,  $F_C = 0$ ,  $F_P = 0$

THIS DRAWING CONTAINS INFORMATION THAT IS PROPRIETARY TO MOLEX ELECTRONIC TECHNOLOGIES, LLC AND SHOULD NOT BE USED WITHOUT WRITTEN PERMISSION

SCALE: 2.5:1

GENERAL TOLERANCES (UNLESS SPECIFIED):

	MM	INCH
4 PLACES	±	±
3 PLACES	±	±
2 PLACES	±	±
1 PLACE	±	±
0 PLACES	±	±

ANGULAR TOL ± 0.5°

EC NO: 708673  
 DRWN: SANTHN  
 CHK'D: GGA  
 APPR: GGA

INITIAL REVISION:  
 DRWN: JMELTON  
 APPR: SMILLER

DATE: 2022/05/26  
 DATE: 2022/06/22  
 DATE: 2022/06/22

DATE: 2010/05/19  
 DATE: 2010/07/14

THIRD ANGLE PROJECTION

DRAFT WHERE APPLICABLE MUST REMAIN WITHIN DIMENSIONS

DRAWING: C-SIZE

SERIES: 74061

MOLEX

VHDM 8 ROW  
 SIGNAL END BACKPLANE SALES ASSEMBLY

PRODUCT CUSTOMER DRAWING

DOCUMENT NUMBER: SD-74061-002

DOC TYPE: PSD

DOC PART: 001

REVISION: P1


MATERIAL NUMBER: SEE CHART

CUSTOMER: GENERAL MARKET

SHEET NUMBER: 2 OF 3

H  
G  
F  
E  
D  
C  
B  
A

DATE	REV	DESCRIPTION
2022/06/09	P1	1. DRAWING MIGRATION 2. SHEET 1: D07: DIM 5.25 CORRECTED TO 5.76 AS PER COMPONENTS 3. SHEET 1: D05: DIM 19.0 IS CHANGED TO 19.1 AND TOLERANCE ADDED ± 0.25 TO MAINTAIN HIGHER TOLERANCE THAN E- DRAWING 4. REMOVED OBSOLETE PART NUMBER AS PER PCN#509989.

FUNCTIONAL SYMBOLS	THIS DRAWING CONTAINS INFORMATION THAT IS PROPRIETARY TO MOLEX ELECTRONIC TECHNOLOGIES, LLC AND SHOULD NOT BE USED WITHOUT WRITTEN PERMISSION													
	DIMENSION UNITS	SCALE		CURRENT REV DESC: SEE REVISION TABLE ON SHEET 3										
$\frac{F}{A} = 0$	mm	1:1		EC NO: 708673 DRWN: SANTHN 2022/05/26 CHK'D: GGA 2022/06/22 APPR: GGA 2022/06/22								VHDM 8 ROW SIGNAL END BACKPLANE SALES ASSEMBLY		
$\frac{F}{C} = 0$	GENERAL TOLERANCES (UNLESS SPECIFIED)									MM				INCH
$\frac{F}{P} = 0$	4 PLACES	±	±	INITIAL REVISION: DRWN: DRAWN BY 0099/99/99 APPR: APPR BY 0099/99/99						DOCUMENT NUMBER		DOC TYPE	DOC PART	REVISION
DIVISIONAL SYMBOLS	3 PLACES	±	±							SD-74061-002		PSD	001	P1
	2 PLACES	±	±							MATERIAL NUMBER		CUSTOMER		SHEET NUMBER
	1 PLACE	±	±							C-SIZE		GENERAL MARKET		3 OF 3
0 PLACES	±	±	DRAFT WHERE APPLICABLE MUST REMAIN WITHIN DIMENSIONS		THIRD ANGLE PROJECTION		SERIES		74061					