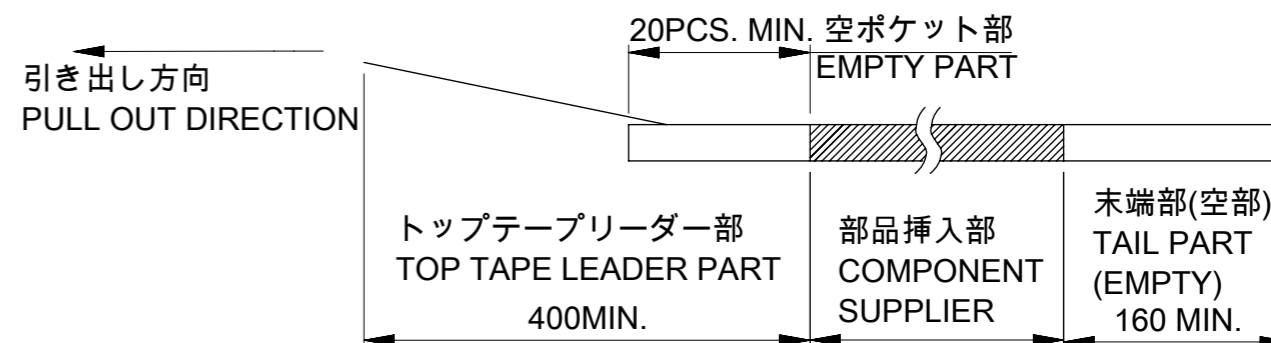


注記 NOTES

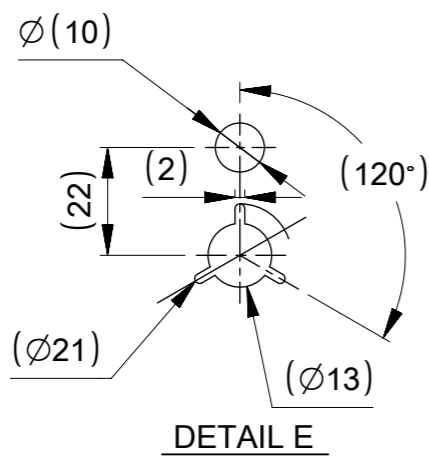
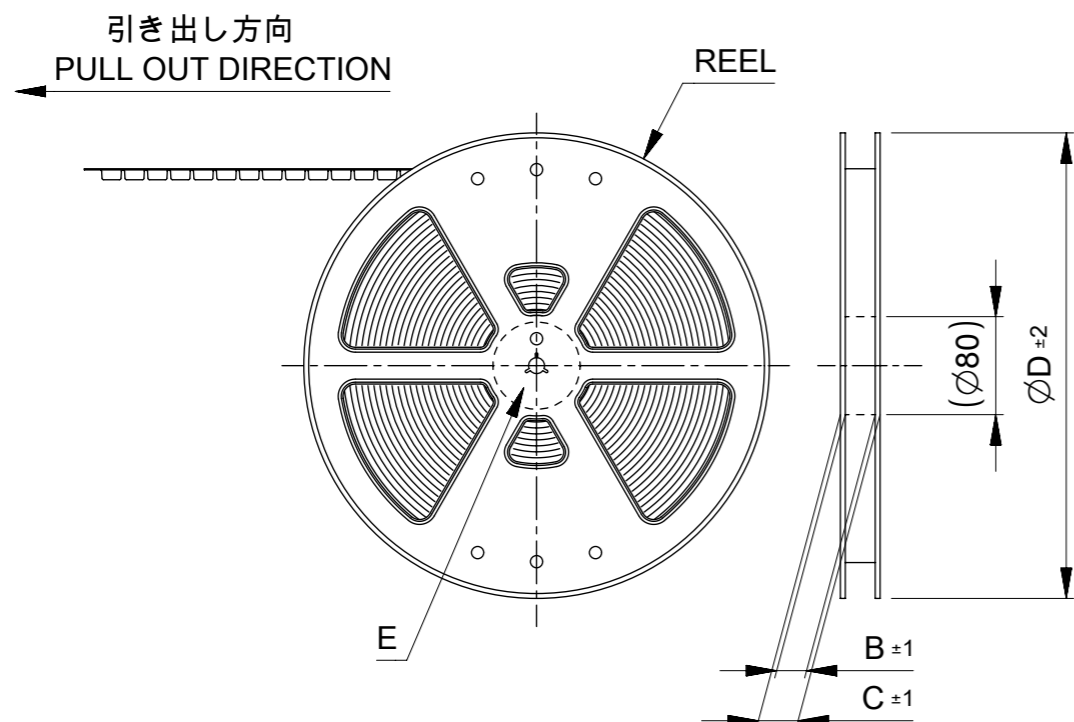
- 製品詳細寸法については製品単体図面を参照下さい。  
FOR DETAILED DIMENSION, SEE PRODUCT DRAWING.
- 梱包数量 : 1000個/リール(14CKT), 1500個/リール(20,30,32CKT)  
THE NUMBER OF PACKAGED CONNECTORS : 1000 PCS/REEL(14CKT)  
: 1500 PCS/REEL(20,30,32CKT)

- リードテープ長さ  
LEAD TAPE LENGTH

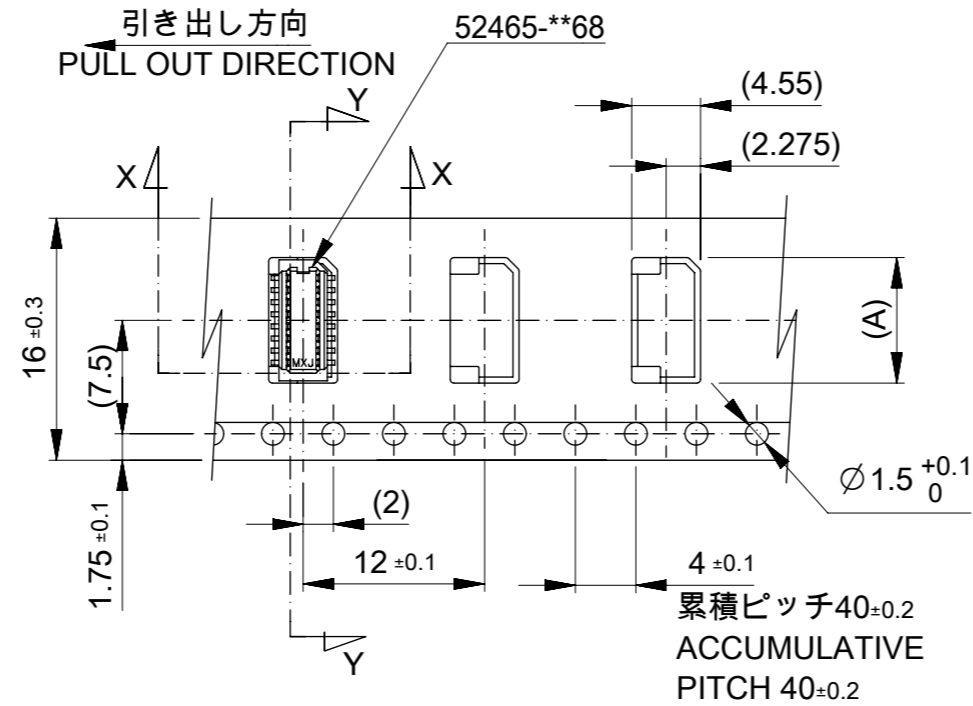
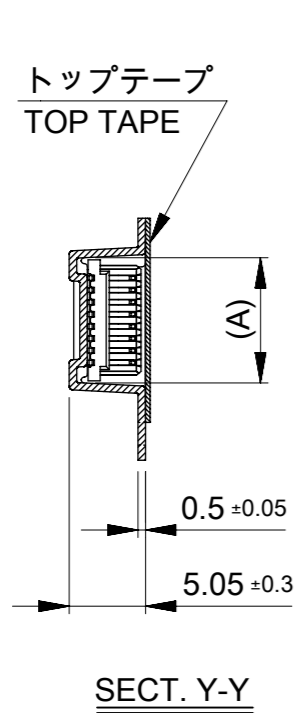


- 材料  
MATERIAL  
キャリアテープ : ポリプロピレン(PP)  
CARRIER TAPE : POLYPROPYLENE (PP)  
トップテープ : PET, PE, PEF  
TOP TAPE : PET, PE, PEF  
リール : ポリスチレン(PS) <リサイクル材含む>  
REEL : POLYSTYRENE (PS) <RECYCLE MATERIAL CONTAINED >

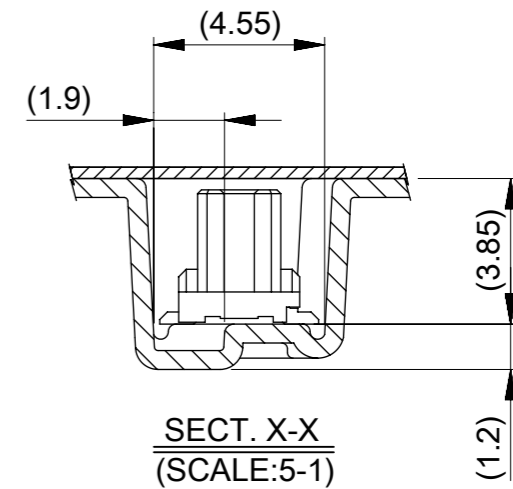
- ELV及びRoHS適合品  
ELV AND RoHS COMPLIANT.
- トップテープの剥離強度については IEC60286-3 に準拠。  
TOP TAPE PEEL FORCE IS DEFINED BY IEC60286-3.



THIS DRAWING CONTAINS INFORMATION THAT IS PROPRIETARY TO MOLEX ELECTRONIC TECHNOLOGIES, LLC AND SHOULD NOT BE USED WITHOUT WRITTEN PERMISSION		CURRENT REV DESC:		<b>molex</b>	
DIMENSION UNITS mm	SCALE NTS				
GENERAL TOLERANCES (UNLESS SPECIFIED)		EC NO: 656567		PRODUCT CUSTOMER DRAWING	
ANGULAR TOL ±		DRWN: AHMADI2 2021/01/28		DOCUMENT NUMBER	
4 PLACES ±		CHK'D: HSHIMYOYAMA 2021/02/26		524650000	
3 PLACES ±		APPR: SHOSHIKAWA 2021/02/26		DOC TYPE	
2 PLACES ±		INITIAL REVISION:		PSD	
1 PLACE ±		DRWN: RMIYAMOTO 2018/07/31		DOC PART	
0 PLACES ±		APPR: TKUSUHARA01 2018/08/02		001	
DRAFT WHERE APPLICABLE MUST REMAIN WITHIN DIMENSIONS		THIRD ANGLE PROJECTION	DRAWING	SERIES	MATERIAL NUMBER
			A3-SIZE	52465	CUSTOMER
				GENERAL	
				SHEET NUMBER	
				1 OF 3	

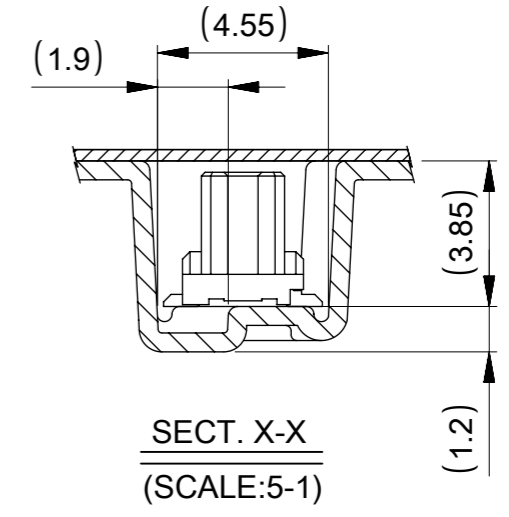
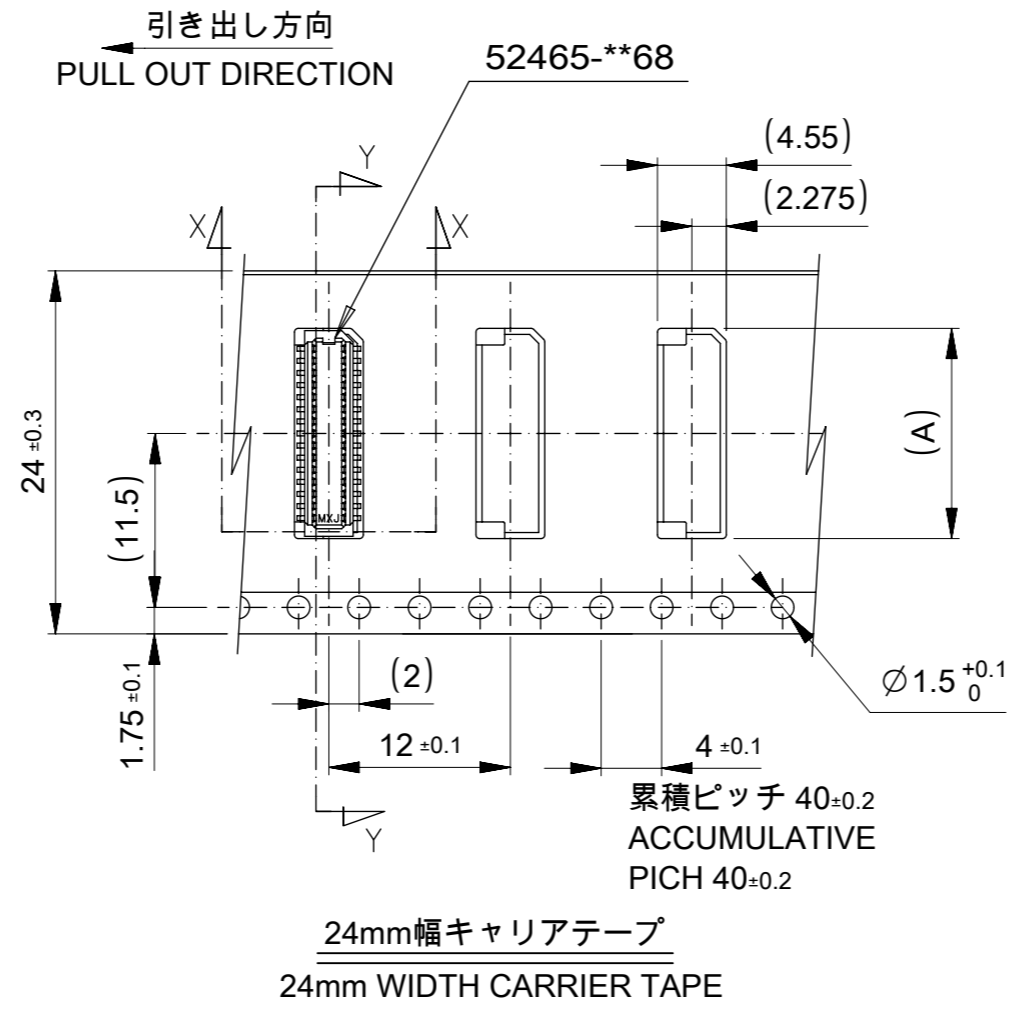
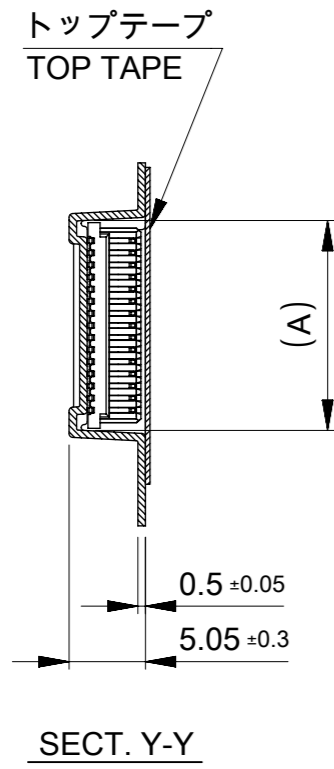


16mm幅キャリアテープ  
16mm WIDTH CARRIER TAPE



16	330	21.4	17.4	7.5	52465-1462	14
キャリアテープ幅 CARRIER TAPE WIDTH	D	C	B	A	EMBOSSED TAPE PACKAGE ORDER NO	極数 CIRCUITS

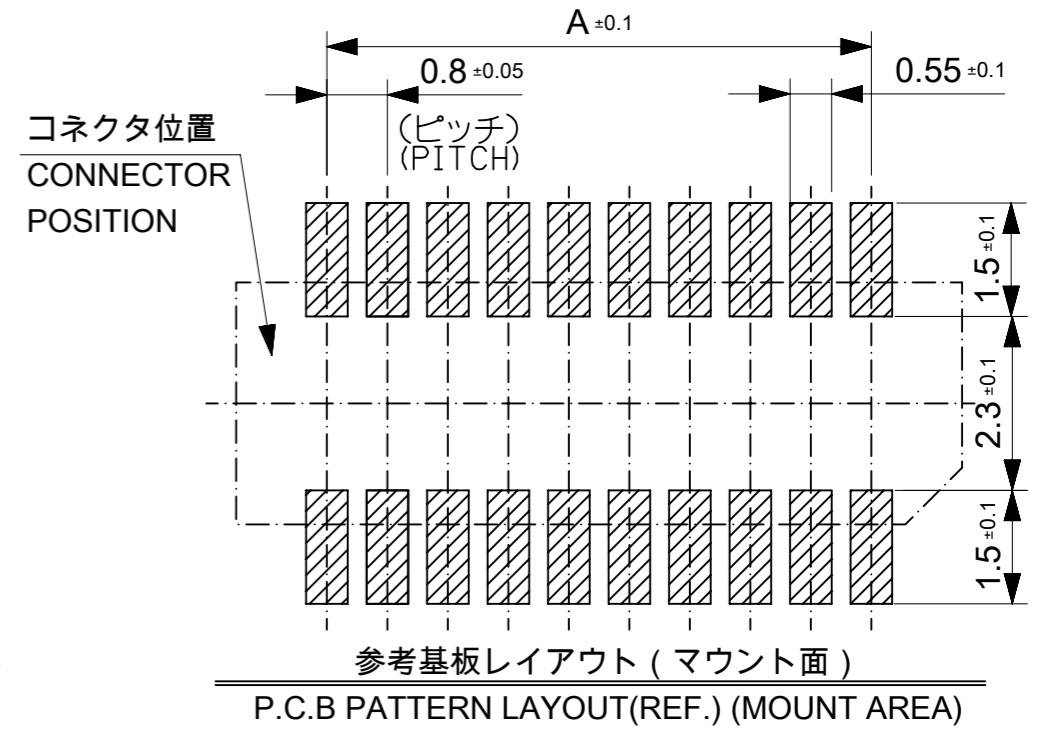
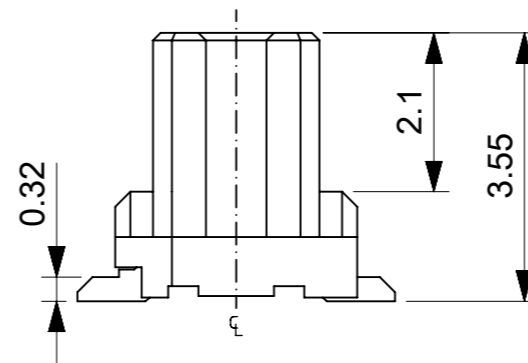
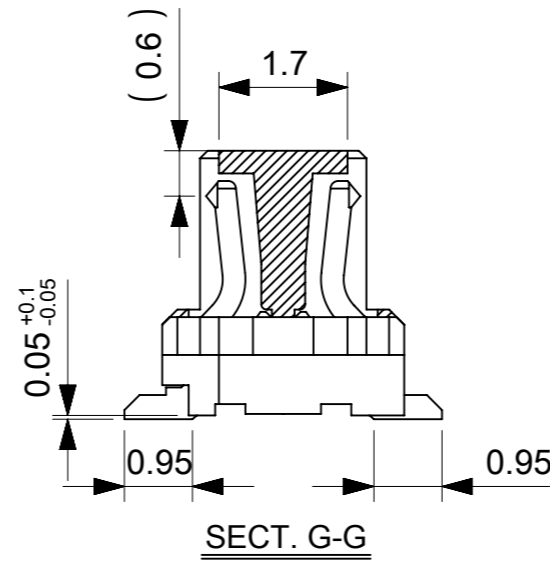
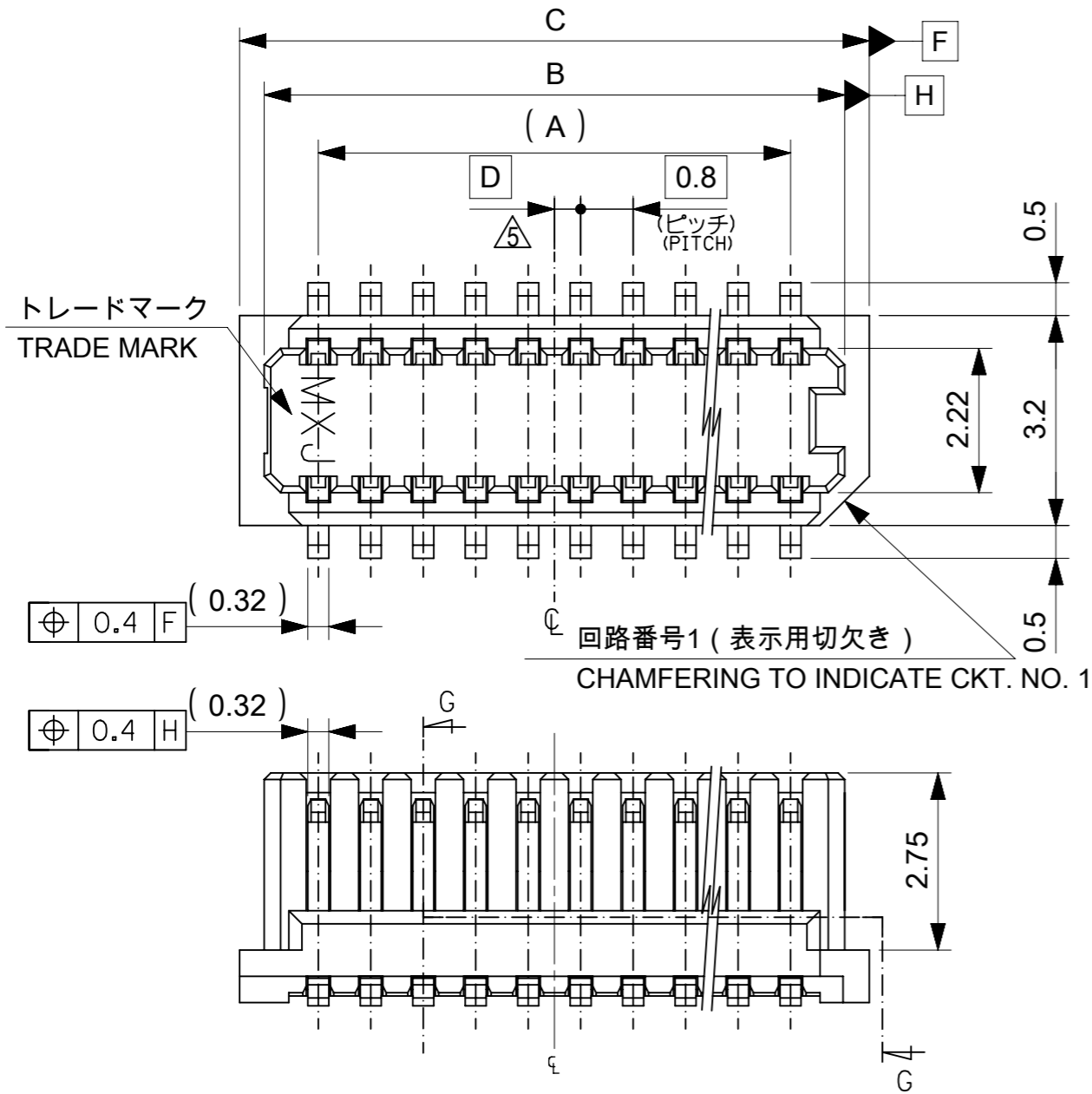
THIS DRAWING CONTAINS INFORMATION THAT IS PROPRIETARY TO MOLEX ELECTRONIC TECHNOLOGIES, LLC AND SHOULD NOT BE USED WITHOUT WRITTEN PERMISSION		CURRENT REV DESC:		<b>molex</b>	
DIMENSION UNITS mm	SCALE NTS	GENERAL TOLERANCES (UNLESS SPECIFIED)			
ANGULAR TOL ± °		EC NO: 656567		PRODUCT CUSTOMER DRAWING	
4 PLACES ±		DRWN: AHMADI2 2021/01/28		DOCUMENT NUMBER	
3 PLACES ±		CHK'D: HSHIMUYAMA 2021/02/26		524650000	
2 PLACES ±		APPR: SHOSHIKAWA 2021/02/26		DOC TYPE DOC PART REVISION	
1 PLACE ±		INITIAL REVISION:		PSD 001 C	
0 PLACES ±		DRWN: RMIYAMOTO 2018/07/31		MATERIAL NUMBER	
DRAFT WHERE APPLICABLE MUST REMAIN WITHIN DIMENSIONS		APPR: TKUSUHARA01 2018/08/02		CUSTOMER	
THIRD ANGLE PROJECTION		DRAWING		SHEET NUMBER	
DRAWING		SERIES		GENERAL	
A3-SIZE		52465		2 OF 3	



24	380	29.4	25.4	14.7	52465-3262	32
				13.9	52465-3062	30
				9.9	52465-2062	20
キャリアテープ幅 CARRIER TAPE WIDTH	D	C	B	A	EMBOSSED TAPE PACKAGE ORDER NO	極数 CIRCUITS

THIS DRAWING CONTAINS INFORMATION THAT IS PROPRIETARY TO MOLEX ELECTRONIC TECHNOLOGIES, LLC AND SHOULD NOT BE USED WITHOUT WRITTEN PERMISSION

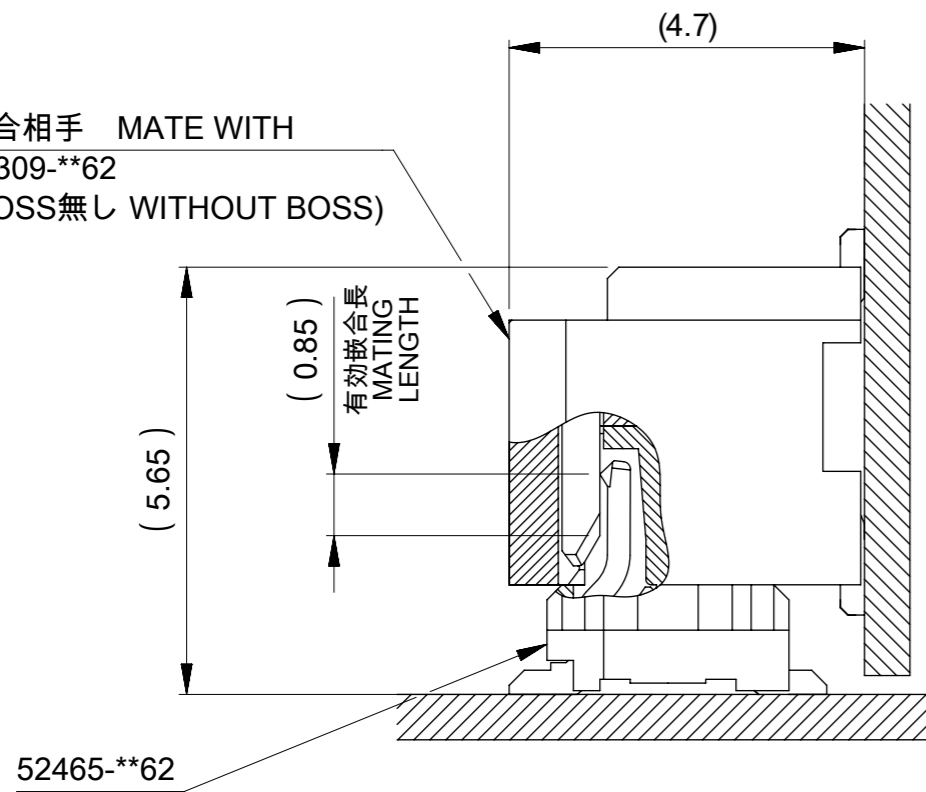
DIMENSION UNITS mm	SCALE NTS	CURRENT REV DESC:	
GENERAL TOLERANCES (UNLESS SPECIFIED)		molex	
ANGULAR TOL	±	0.8 MM PITCH B-TO-B CONN. RECEPTACLE (WITHOUT BOSS) EMBOSS TAPE PACKAGE	
4 PLACES	±	PRODUCT CUSTOMER DRAWING	
3 PLACES	±	EC NO: 656567	2021/01/28
2 PLACES	±	DRWN: AHMADI2	2021/02/26
1 PLACE	±	CHK'D: HSHIMOYAMA	2021/02/26
0 PLACES	±	APPR: SHOSHIKAWA	2021/02/26
DRAFT WHERE APPLICABLE MUST REMAIN WITHIN DIMENSIONS		INITIAL REVISION:	DOCUMENT NUMBER
THIRD ANGLE PROJECTION		DRWN: RMIYAMOTO	524650000
DRAWING		APPR: TKUSUHARA01	PSD 001 C
SERIES		2018/07/31	DOC TYPE
MATERIAL NUMBER		2018/08/02	DOC PART
CUSTOMER		A3-SIZE	REVISION
SHEET NUMBER		52465	3 OF 3



0.4	14.4	13.65	12.0	52465-3262	32
0.8	13.6	12.85	11.2	52465-3062	30
0.4	9.6	8.85	7.2	52465-2062	20
0.8	7.2	6.45	4.8	52465-1462	14
D	C	B	A	EMBOSSSED TAPE	CKT
				ORDER NO. オーダー番号	極数

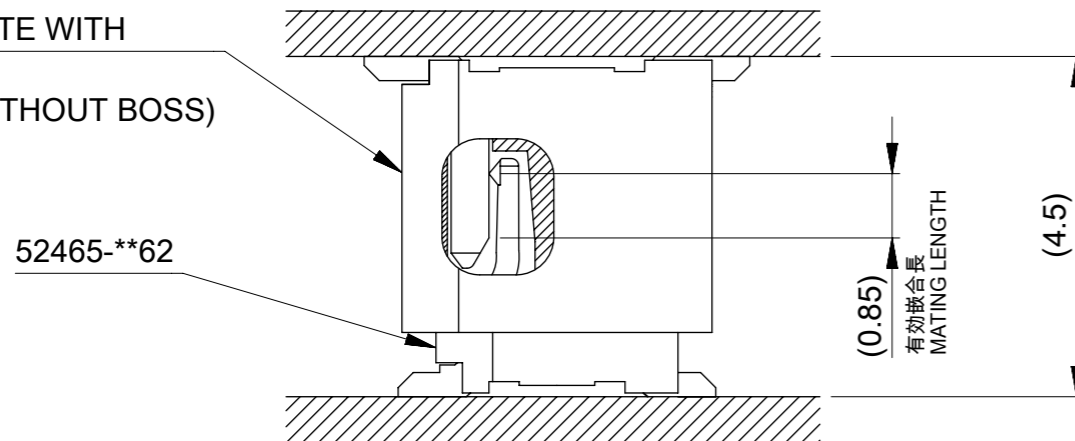
THIS DRAWING CONTAINS INFORMATION THAT IS PROPRIETARY TO MOLEX ELECTRONIC TECHNOLOGIES, LLC AND SHOULD NOT BE USED WITHOUT WRITTEN PERMISSION		CURRENT REV DESC:		<b>molex</b>		
DIMENSION UNITS	SCALE					
mm	NTS			PRODUCT CUSTOMER DRAWING		
GENERAL TOLERANCES (UNLESS SPECIFIED)		EC NO: 656567		DOCUMENT NUMBER		
ANGULAR TOL ± 3.0°		DRWN: AHMADI2 2021/01/28		524651000		
4 PLACES ± 0.2		CHK'D: HSHIMUYAMA 2021/02/26		DOC TYPE DOC PART REVISION		
3 PLACES ± 0.2		APPR: SHOSHIKAWA 2021/02/26		PSD 001 B		
2 PLACES ± 0.2		INITIAL REVISION:		MATERIAL NUMBER		
1 PLACE ± 0.2		DRWN: RMIYAMOTO 2018/07/31		CUSTOMER		
0 PLACES ± 0.2		APPR: TKUSUHARA01 2018/08/02		GENERAL		
DRAFT WHERE APPLICABLE MUST REMAIN WITHIN DIMENSIONS		THIRD ANGLE PROJECTION	DRAWING	SERIES	SHEET NUMBER	
			A3-SIZE	52465	1 OF 2	

嵌合相手 MATE WITH  
53309-\*\*62  
(BOSS無し WITHOUT BOSS)



嵌合状態図 (参考)  
MATED DRAWING(REF.)

嵌合相手 MATE WITH  
53307-\*\*62  
(BOSS無し WITHOUT BOSS)



嵌合状態図 (参考)  
MATED DRAWING(REF.)

NOTES

- 1 材質  
MATERIAL  
ハウジング : ポリアミド ( PA )、ガラス充填、UL94 V-0、ナチュラル ( クリーム )  
HOUSING : POLYAMIDE, GLASS FILLED, UL94 V-0, NATURAL ( CREAM )  
ターミナル : リン青銅 ( t=0.32 )  
TERMINAL : PHOSPHER BRONZE ( t=0.32 )
- 2 メッキ仕様  
PLATING  
コンタクト部 : 部分金メッキ ( 0.1マイクロメートル以上 )  
CONTACT AREA : SEPARATED GOLD PLATING ( 0.1 MICRO METER MINIMUM )  
テール部 : 部分金メッキ  
TAIL AREA : SEPARATED GOLD PLATING  
下地メッキ : ニッケルメッキ ( 1.0マイクロメートル以上 )  
UNDER-PLATING : NICKEL ( 1.0 MICRO METER MINIMUM )
- 3 嵌合相手 : 53307シリーズ ( 14CKT ), 53309シリーズ ( 20,30,32CKT )  
MATES WITH 53307 SERIES ( 14CKT ), 53309 SERIES ( 20,30,32CKT )
- 4 テール平坦度は0.1以下  
TAIL COPLANALITY TO BE 0.1 MAXIMUM.
- △5 ハウジングのCLから隣接するターミナルのCLまでの位置とする。  
SHOW POSITION FROM CL OF HOUSING TO CL OF ADJUSTMENT TERMINALS.
- 6 一对の基板の嵌合において、本製品を2個以上使用することはできません。  
MXJ DOES NOT RECOMMEND THE USAGE OF TWO OR MORE OF THESE CONNECTORS BETWEEN A SINGLE PAIR OF P.C.BOARD.
- 7 ELV及びRoHS適合品  
ELV AND RoHS COMPLIANT.

THIS DRAWING CONTAINS INFORMATION THAT IS PROPRIETARY TO MOLEX ELECTRONIC TECHNOLOGIES, LLC AND SHOULD NOT BE USED WITHOUT WRITTEN PERMISSION		CURRENT REV DESC:		<b>molex</b>	
DIMENSION UNITS	SCALE				
mm	NTS			0.8 MM PITCH B-TO-B CONN. RECEPTACLE (WITHOUT BOSS)	
GENERAL TOLERANCES (UNLESS SPECIFIED)				PRODUCT CUSTOMER DRAWING	
ANGULAR TOL	± 3.0 °			DOCUMENT NUMBER	
4 PLACES	± 0.2	EC NO: 656567		524651000	
3 PLACES	± 0.2	DRWN: AHMADI2 2021/01/28		DOC TYPE	
2 PLACES	± 0.2	CHK'D: HSHIMUYAMA 2021/02/26		PSD	
1 PLACE	± 0.2	APPR: SHOSHIKAWA 2021/02/26		DOC PART	
0 PLACES	± 0.2	INITIAL REVISION:		001	
DRAFT WHERE APPLICABLE MUST REMAIN WITHIN DIMENSIONS		DRWN: RMIYAMOTO 2018/07/31		REVISION	
THIRD ANGLE PROJECTION		APPR: TKUSUHARA01 2018/08/02		B	
DRAWING		SERIES		SHEET NUMBER	
A3-SIZE		52465		2 OF 2	
MATERIAL NUMBER		CUSTOMER			
		GENERAL			