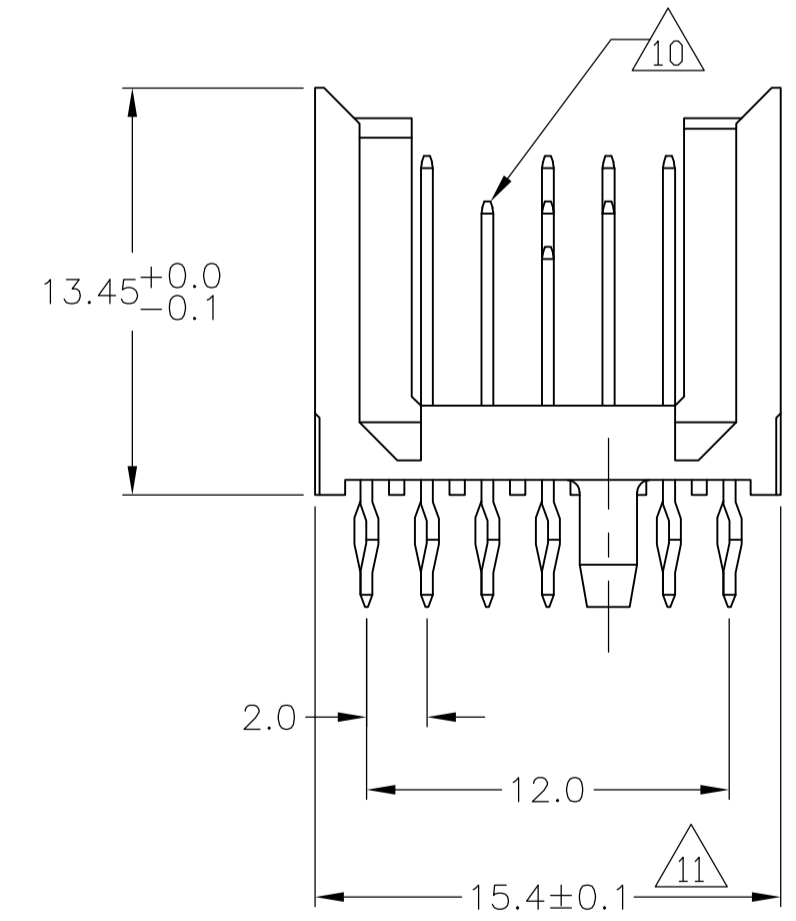
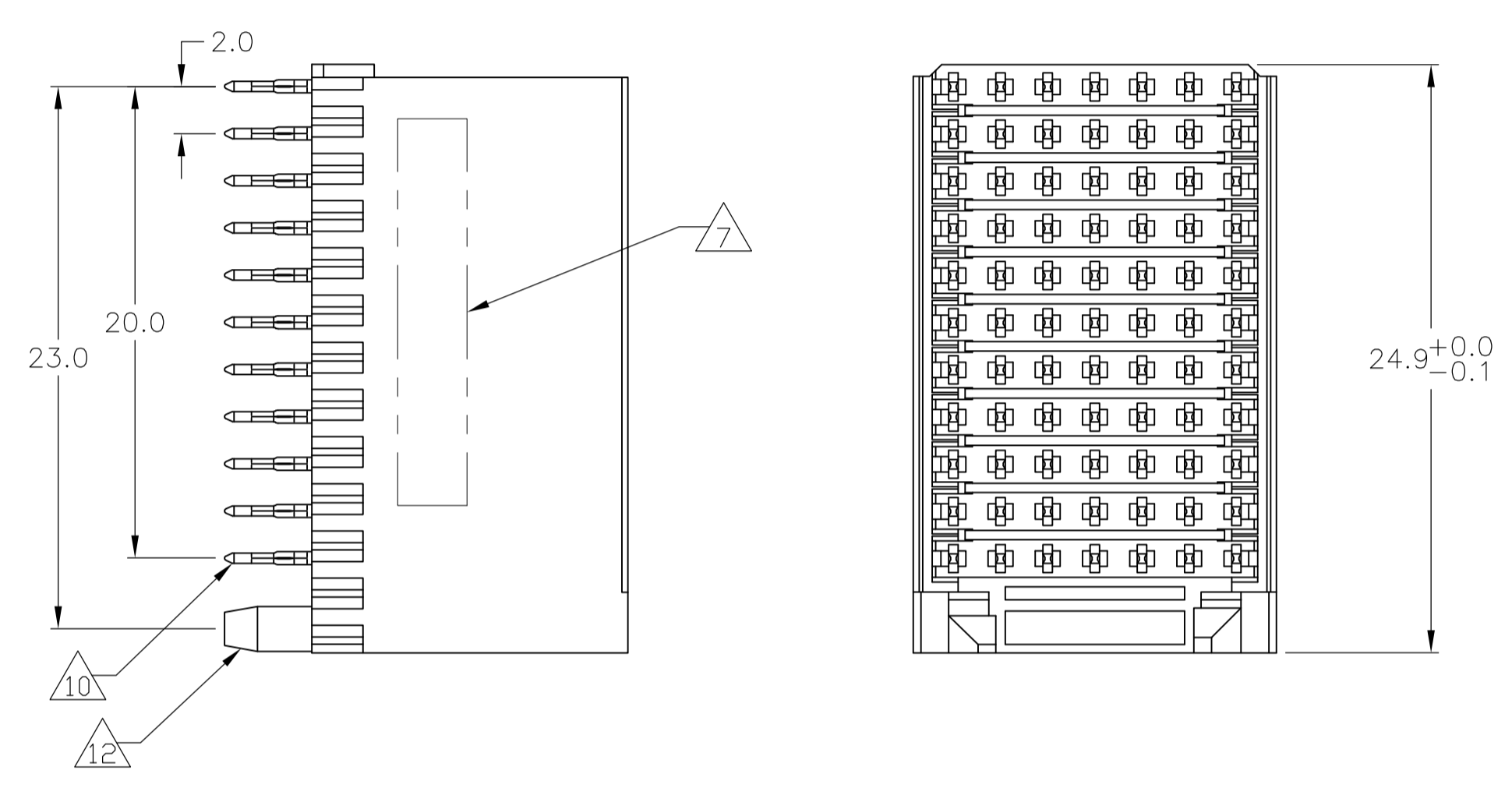
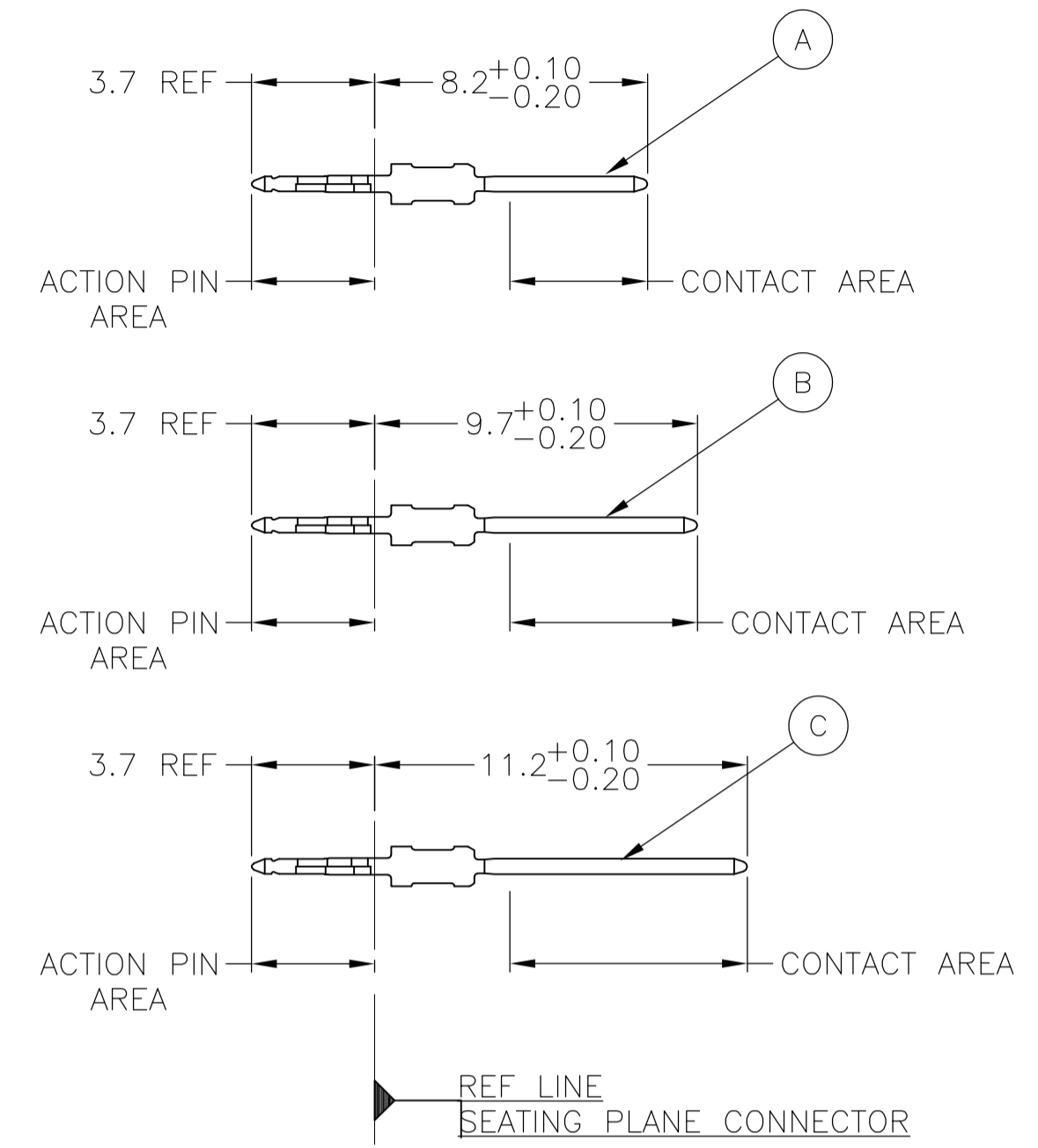


LOC		DIST		REVISIONS			
AD	00	REV	DATE	BY	CHKD	APPD	
		0	RELEASED	10NOV05	BC	GS	
		A	ECR-10-019054	15SEP10	DP	MQW	

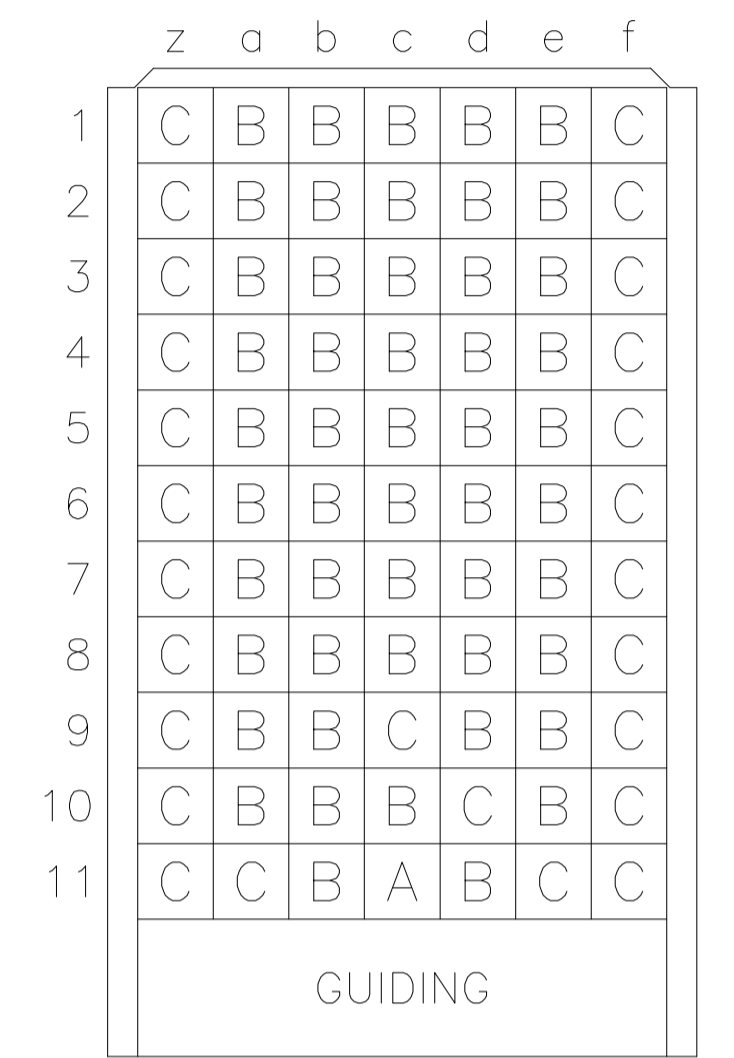
### CONNECTOR ASSEMBLY EXAMPLARY LOADED



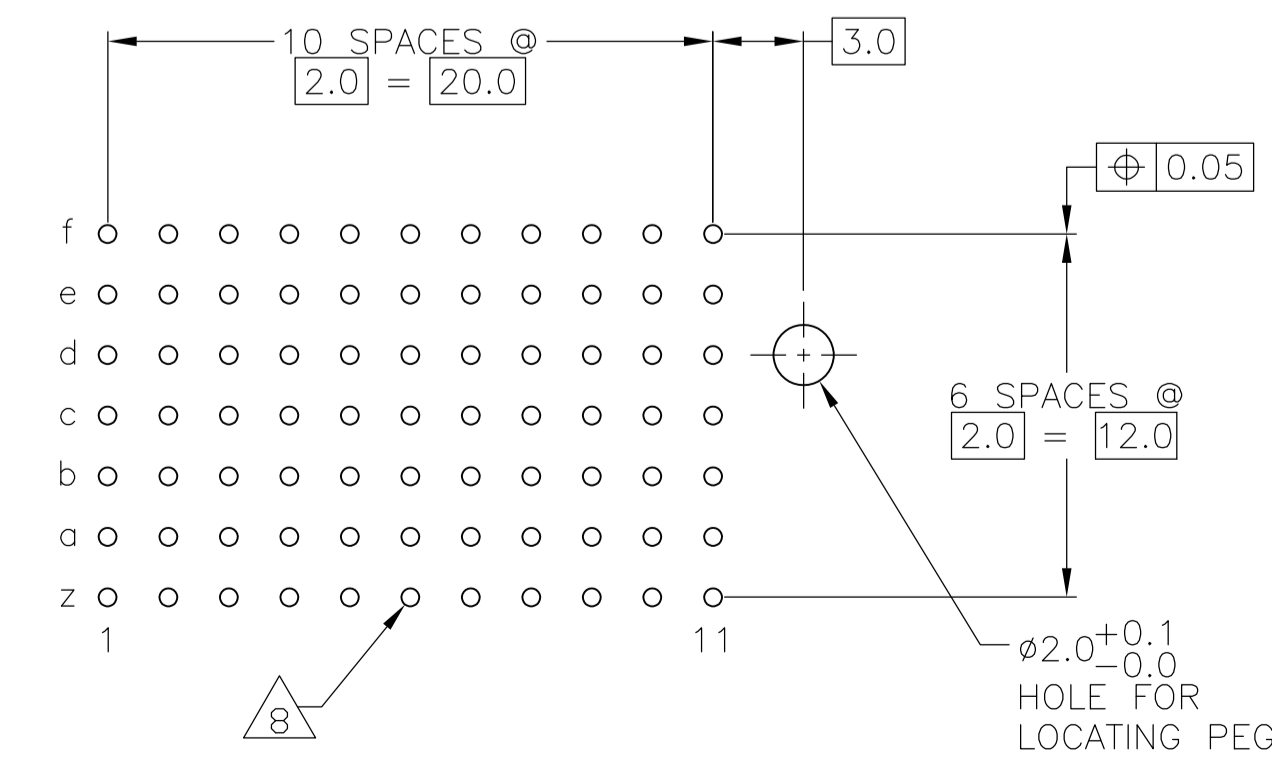
### CONTACT DIMENSIONS SCALE 5:1



### CONTACT LAYOUT



### RECOMMENDED PCB-HOLE LAYOUT COMPONENT SIDE SHOWN



### PLATED THRU HOLES PARAMETERS REFERENCE APPLICATION SPECIFICATION

2	3	6392174-1
FINISH		PART NUMBER

THIS DRAWING IS A CONTROLLED DOCUMENT.		DIN B CARBO 10NOV05	Tyco Electronics Corporation Harrisburg, Pa 17105-3608	
DIMENSIONS: mm	TOLERANCES UNLESS OTHERWISE SPECIFIED:	CHK G SKIPPER 10NOV05	NAME	MALE ASSEMBLY, Z-PACK 2mm HM, TYPE C
0-PLC ±	1-PLC ± 0.2	APPD G SKIPPER 10NOV05	PRODUCT SPEC	108-19082
2-PLC ± 0.02	3-PLC ± 0.005	APPLICATION SPEC	114-19029	SIZE CASE CODE DRAWING NO
4-PLC ± 0.010	ANGLES ± 0.30°	WEIGHT	A1 00779	RESTRICTED TO
MATERIAL	FINISH SEE TABLE	CUSTOMER DRAWING	SCALE 4:1	SHEET 1 OF 2
		REV A		

LOC		DIST		REVISIONS			
IF	LTR	DESCRIPTION	DATE	DRN	APVD		
AD	00	SEE SHEET 1	-	-	-	-	-

- 1 MATERIAL:  
CONTACT: PHOSPHOR BRONZE.  
HOUSING: GLASS-FILLED POLYESTER.
- 2 GENERAL PLATING SPECIFICATION: UNDERPLATING  
(ENTIRE CONTACT): 1.27µm MIN NICKEL AND ACTION  
PIN: 0.5µm MIN TIN.  
FOR PLATING OF MATING SURFACES SEE APPLICABLE  
SPECIFICATION REFERENCE FOR EACH DASH NUMBER.
- 3 CONFORMS TO ALL TESTING ACCORDING TO IEC 61076-4-101  
PERFORMANCE LEVEL 2.
- 4 CONFORMS TO ALL TESTING ACCORDING TO IEC 61076-4-101  
PERFORMANCE LEVEL 1.
- 5 CONNECTOR TESTED AND QUALIFIED AGAINST TELCORDIA GR-1217-CORE QUALITY LEVEL 3,  
CENTRAL OFFICE APPLICATIONS.
- 6 CONNECTOR TESTED AND QUALIFIED AGAINST TELCORDIA GR-1217-CORE QUALITY LEVEL 3,  
UNCONTROLLED ENVIROMENT APPLICATIONS.
- 7 CONNECTOR MARKED WITH PART NUMBER AND DATE CODE.  
ADDITIONAL CHARACTERS OR MARKINGS, AS WELL AS THE LOCATION OF THE MARKINGS,  
MAY BE ADDED FOR TRACEABILITY BASED UPON MANUFACTURERS DISCRETION.
- 8 PLATED-THROUGH HOLES AT 2x2mm SQUARE GRID  
PATTERN DEFINED BY CONTACT LAYOUT.
- 9 FOR ACTUAL PIN LOADING SEE "CONTACT LAYOUT".
- 10 FOR ACTUAL PIN DIMENSIONS SEE "CONTACT DIMENSIONS".
- 11 TO BE MEASURED AT BOTTOM OF SHROUD.
- 12 LOCATION PEG.

THIS DRAWING IS A CONTROLLED DOCUMENT.		DRN B. CARBO	10NOV05	Tyco Electronics Corporation Harrisburg, Pa 17105-3608	
DIMENSIONS: mm		CHK G. SKIPPER	10NOV05	NAME MALE ASSEMBLY, Z-PACK 2mm HM, TYPE C	
TOLERANCES UNLESS OTHERWISE SPECIFIED: 0-PLC ± 1-PLC ±0.2 2-PLC ±0.02 3-PLC ±0.005 4-PLC ± ANGLES ±0.30°		APVD G. SKIPPER	10NOV05	PRODUCT SPEC 108-19082	
MATERIAL SEE SHEET 1		APPLICATION SPEC 114-19029		SIZE A1	CAGE CODE 00779
FINISH SEE SHEET 1		WEIGHT -		DRAWING NO 6392174	RESTRICTED TO -
CUSTOMER DRAWING			SCALE 4:1	SHEET 2 OF 2	REV A