

78455-**0*

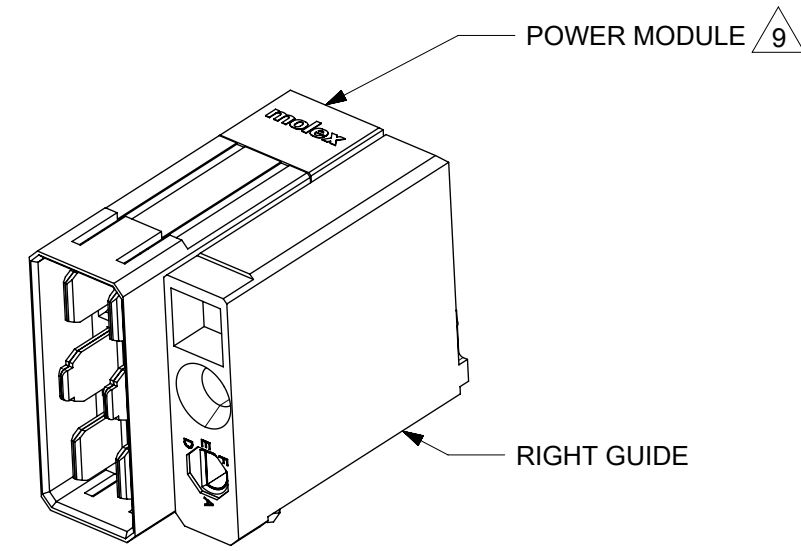
PLATING OPTION	GUIDE LOCATION & ESD OPTION	*
TIN	RIGHT GUIDE WITH ESD	2
	RIGHT GUIDE WITHOUT ESD	4

*	POLARIZATION KEY ORIENTATION
0	NO KEY
1	A
2	B
3	C
4	D
5	E
6	F
7	G
8	H

POWER MODULE 1			
*	BLADE LENGTH		
	P1	P2	P3
1	6.90	6.90	6.90
2	5.70	5.70	6.90
5	5.70	5.70	5.70
7	5.70	6.90	6.90

NOTES:

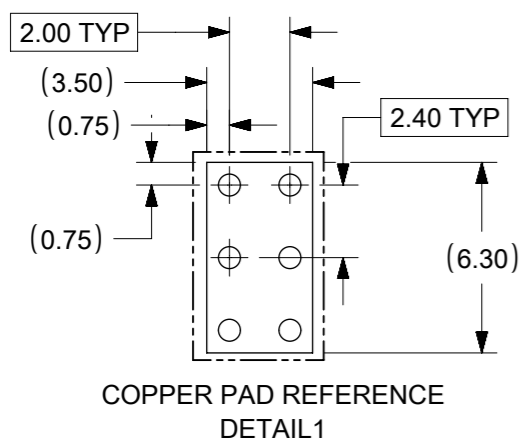
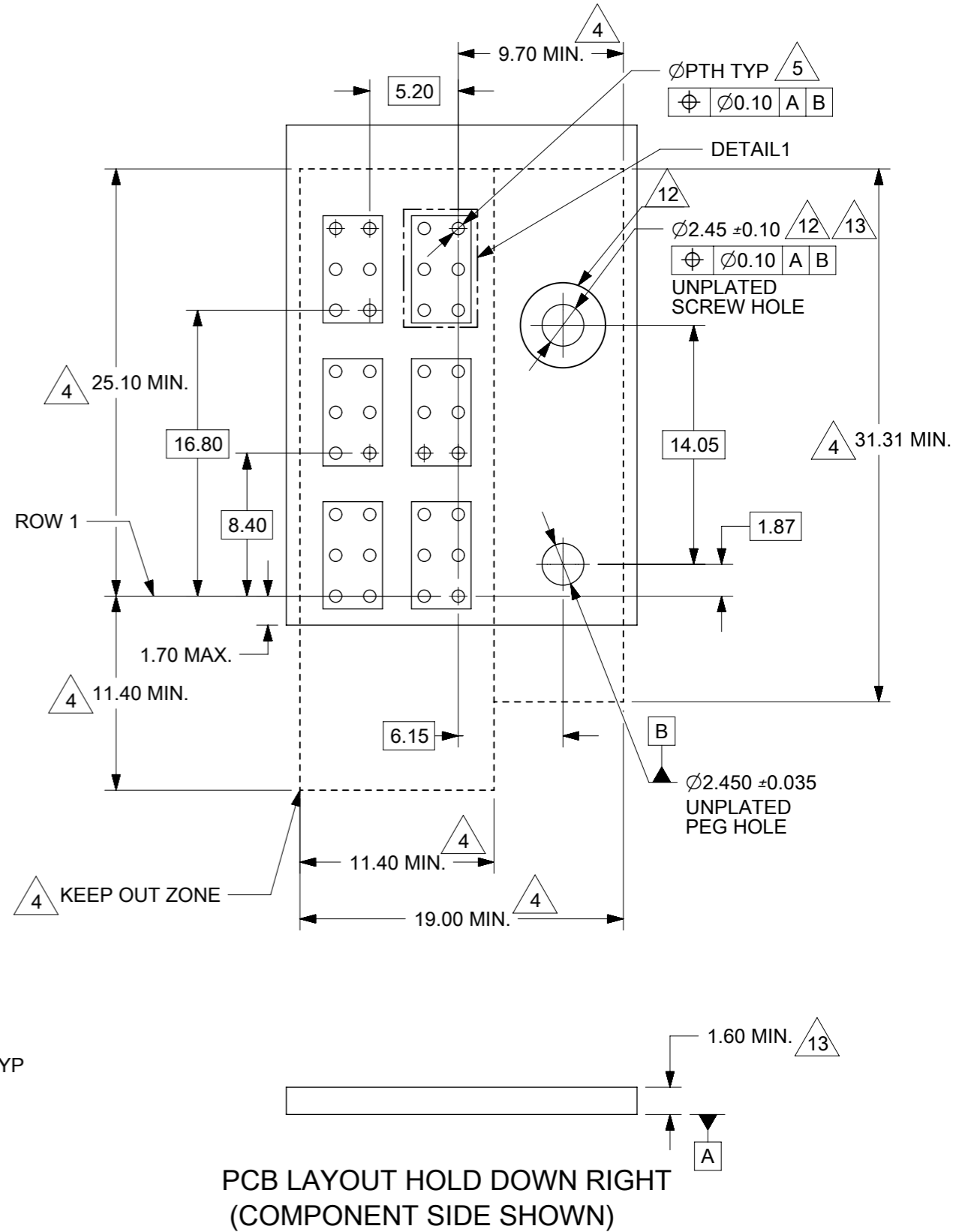
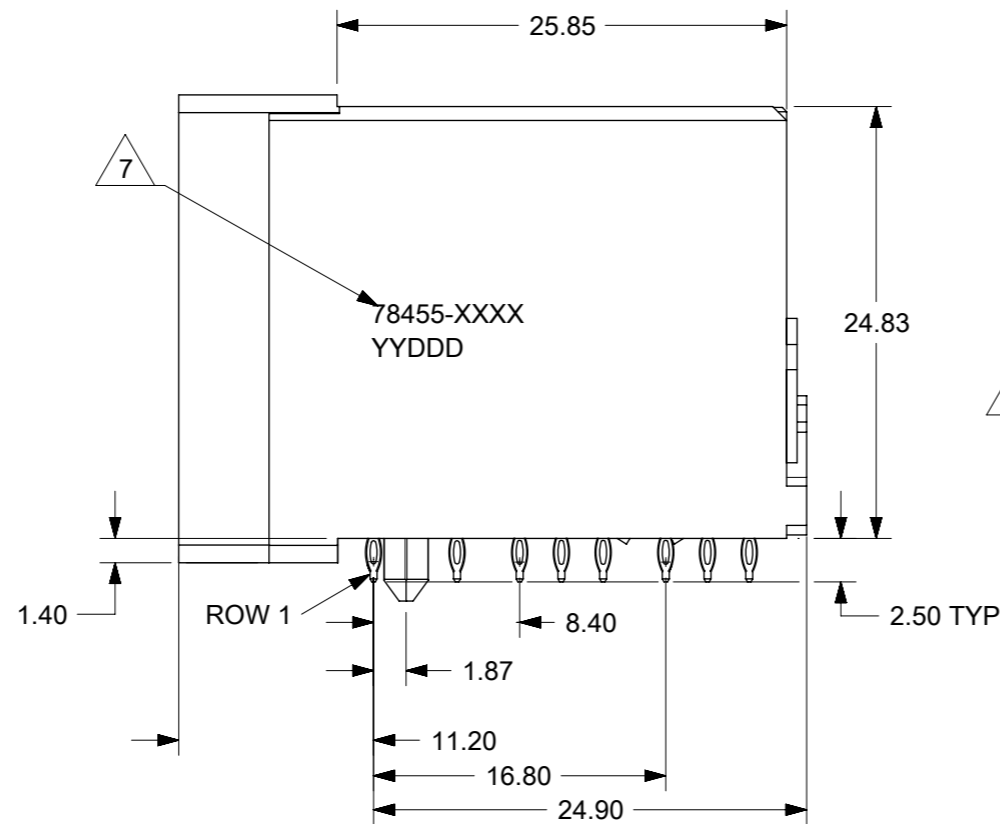
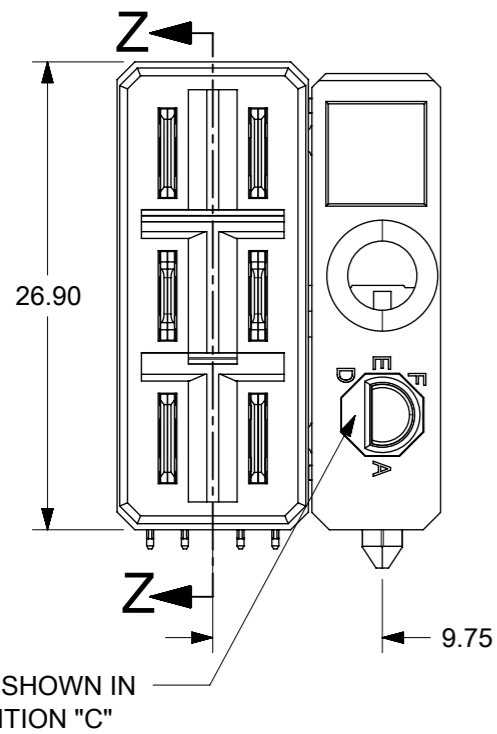
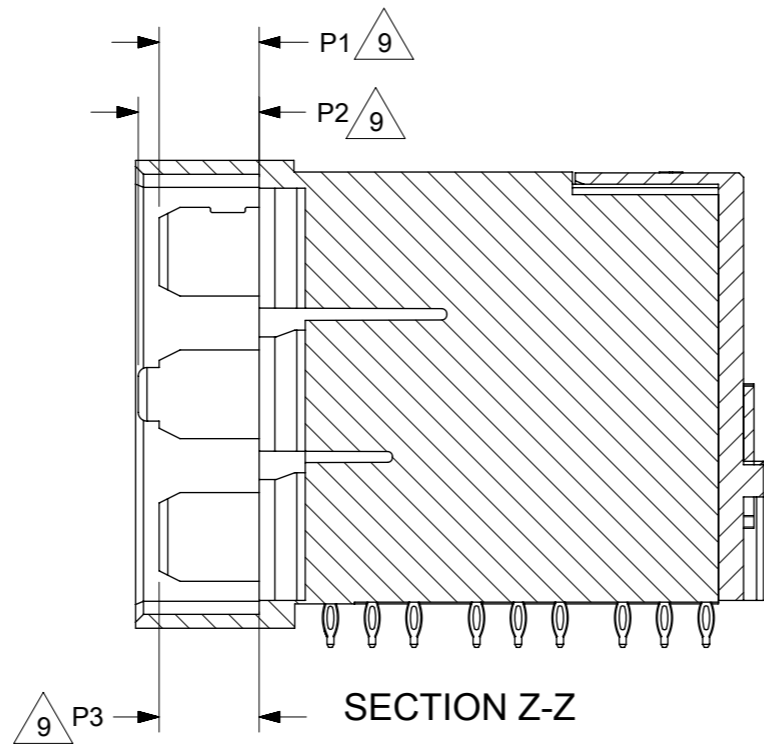
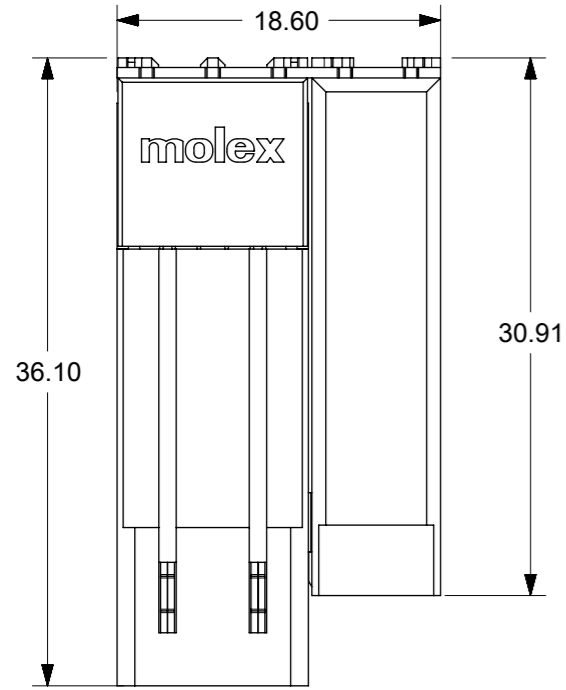
1. MATERIALS:
HOUSING - HIGH TEMP. THERMOPLASTIC, GLASS FILLED, UL94-V0,COLOR:BLACK.
POWER PIN - COPPER ALLOY.
2. FINISH:
POWER CONTACTS
0.76µm MINIMUM GOLD AT CONTACT AREA AND
2.54µm MINIMUM TIN AT SOLDER TAIL AREA
OVER 1.27µm MINIMUM NICKEL UNDERPLATE.
3. PRODUCT SPECIFICATION: PS-78213-001.
4. COMPONENT STAY AWAY ZONE FROM CONNECTOR.
5. REFER TO MOLEX PRODUCT SPECIFICATION PS-78213-001 FOR PLATED THROUGH-HOLE SPECIFICATIONS.
6. MATES WITH 78218-****.
7. PART NUMBER AND YEAR-DAY CODE. CAN BE AT THE OPPOSITE SIDE.
8. CONNECTORS ARE PACKED IN A TRAY.
9. REFER TO SD-78217-002 FOR DETAILS OF THE POWER MODULE .
10. ALL PARTS ARE SHIPPED WITH A 2-32 TYPE AB SELF-TAPPING SCREW PART NUMBER 73726-0000.
11. PACKAGING SPECIFICATION:
PK-78455-001 (1X MODULE WITH GUIDE MODULE)
12. FOR THE ESD GROUNDED GUIDE VERSION, USE DIA 2.45±0.10 (PTH), DIA 2.58 (DRILL), AND DIA 4.50 (PAD).
13. WHEN USING MOLEX SUPPLIED SCREW 73726-0000, THE MAXIMUM BOARD THICKNESS IS 4.4mm.



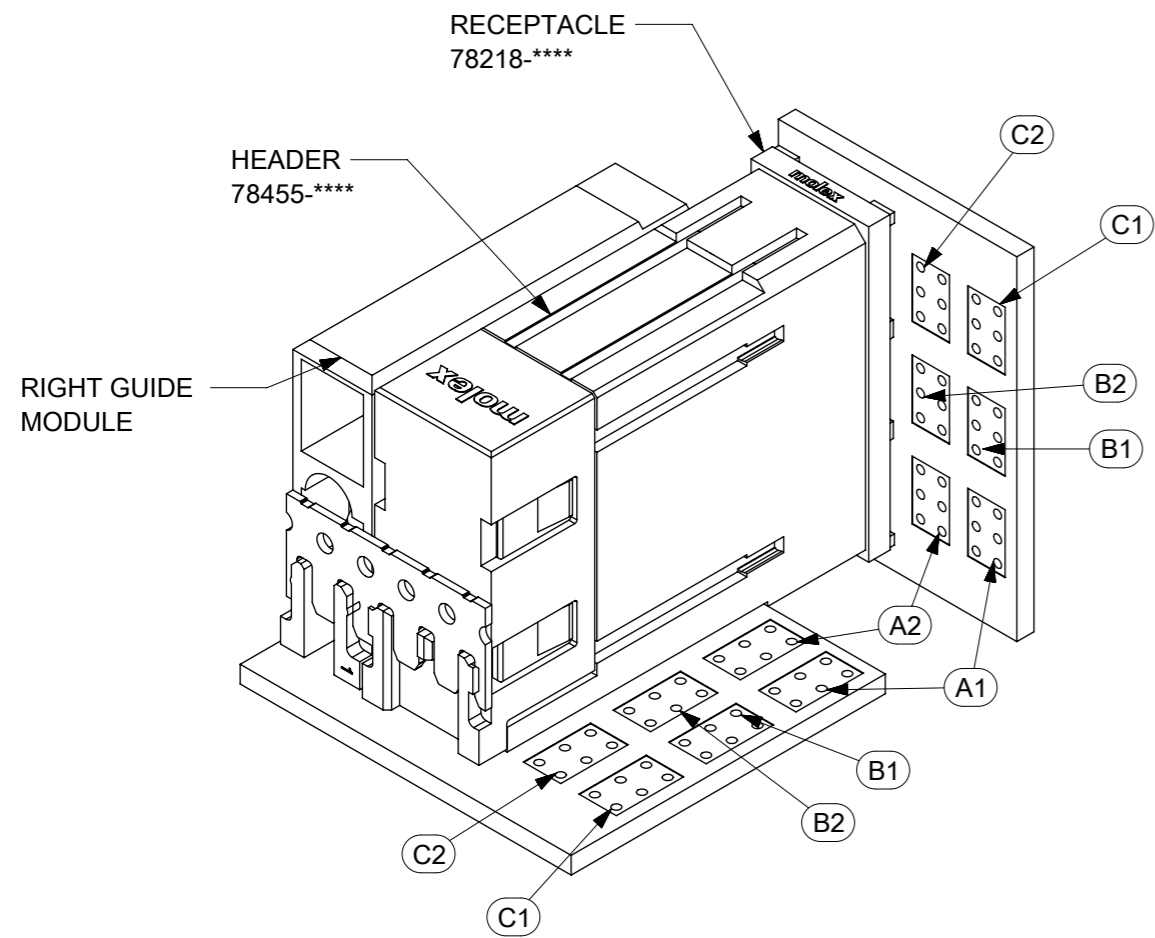
HEADER WITH RIGHT GUIDE (FIG. 1)

THIS DRAWING CONTAINS INFORMATION THAT IS PROPRIETARY TO MOLEX ELECTRONIC TECHNOLOGIES, LLC AND SHOULD NOT BE USED WITHOUT WRITTEN PERMISSION										
DIMENSION UNITS	SCALE	CURRENT REV DESC: MIGRATED TO NX								
mm	NTS									
GENERAL TOLERANCES (UNLESS SPECIFIED)		EC NO: 612508		DRWN: SKRISHNAMU01 2019/02/01		IMPACT POWER 6P HDR W/GUIDE MODULE R P/F ASSEMBLY SALES DRAWING				
ANGULAR TOL ± 3.0°		CHK'D: ABN 2019/03/12		APPR: CWANG25 2019/03/13						
4 PLACES ±		INITIAL REVISION:		DRWN: CTCHO 2012/03/05		DOCUMENT NUMBER		DOC TYPE	DOC PART	REVISION
3 PLACES ±		DRWN: CTCHO 2012/03/05		APPR: SHONG 2012/03/22		SD-78455-001		PSD	001	A3
2 PLACES ± 0.25		THIRD ANGLE PROJECTION		DRAWING	SERIES	MATERIAL NUMBER	CUSTOMER		SHEET NUMBER	
1 PLACE ±				B-SIZE	78455	SEE TABLE	GENERAL MARKET		1 OF 3	
0 PLACES ±		DRAFT WHERE APPLICABLE MUST REMAIN WITHIN DIMENSIONS								

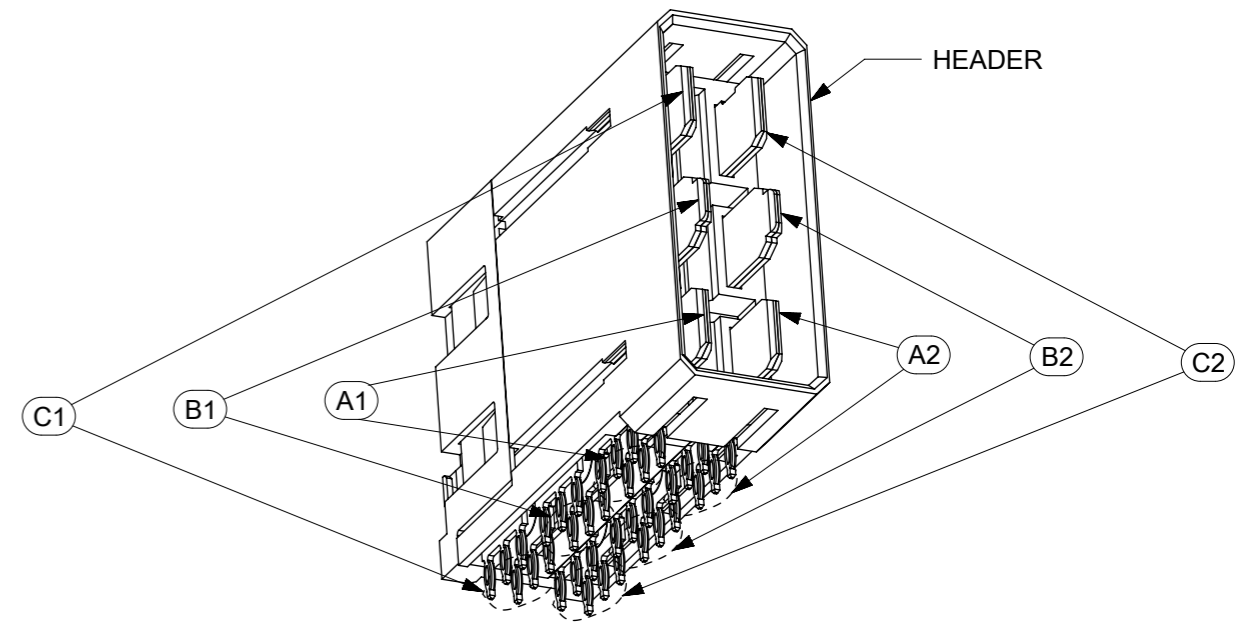
POWER MODULE WITH RIGHT GUIDE MODULE



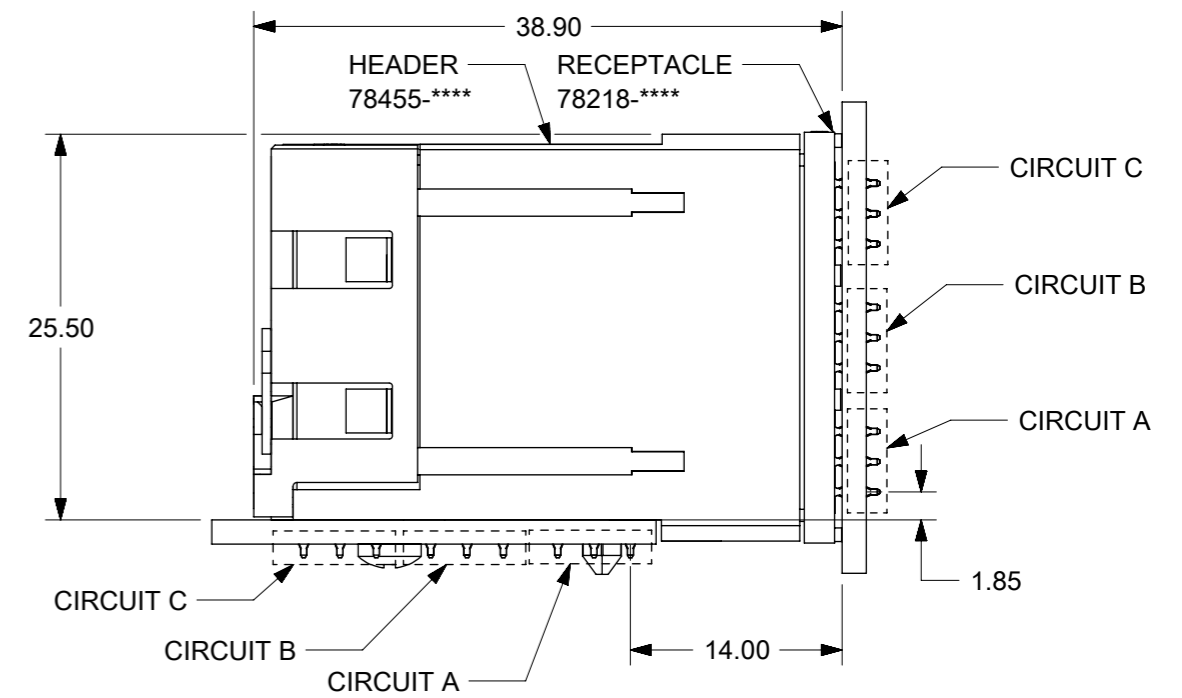
THIS DRAWING CONTAINS INFORMATION THAT IS PROPRIETARY TO MOLEX ELECTRONIC TECHNOLOGIES, LLC AND SHOULD NOT BE USED WITHOUT WRITTEN PERMISSION		CURRENT REV DESC: MIGRATED TO NX		molex	
DIMENSION UNITS	SCALE	EC NO: 612508			
mm	NTS	DRWN: SKRISHNAMU01 2019/02/01		W/GUIDE MODULE R P/F ASSEMBLY SALES	
GENERAL TOLERANCES (UNLESS SPECIFIED)		CHK'D: ABN 2019/03/12		DRAWING	
ANGULAR TOL	± 3.0 °	APPR: CWANG25 2019/03/13		PRODUCT CUSTOMER DRAWING	
4 PLACES	±	INITIAL REVISION:		DOCUMENT NUMBER	
3 PLACES	±	DRWN: CTCHO 2012/03/05		SD-78455-001	
2 PLACES	± 0.25	APPR: SHONG 2012/03/22		DOC TYPE	DOC PART
1 PLACE	±			PSD	001
0 PLACES	±			REVISION	
DRAFT WHERE APPLICABLE MUST REMAIN WITHIN DIMENSIONS		THIRD ANGLE PROJECTION	DRAWING	SERIES	MATERIAL NUMBER
			A3-SIZE	78455	CUSTOMER
					GENERAL MARKET
					SHEET NUMBER
					2 OF 3



RIGHT GUIDE:
1 POWER MODULE REMOVED TO
ILLUSTRATED CIRCUIT PATH OF MATED SYSTEM



PIN NUMBER ASSIGNMENT BASED ON HEADER SIDE:
A1, B1 ON THE LEFT
A2, B2 ON THE RIGHT



MATED SYSTEM OF 78218 & 78455

THIS DRAWING CONTAINS INFORMATION THAT IS PROPRIETARY TO MOLEX ELECTRONIC TECHNOLOGIES, LLC AND SHOULD NOT BE USED WITHOUT WRITTEN PERMISSION									
DIMENSION UNITS		SCALE		CURRENT REV DESC: MIGRATED TO NX					
mm		NTS		<p>IMPACT POWER 6P HDR W/GUIDE MODULE R/P/F ASSEMBLY SALES DRAWING</p> <p>PRODUCT CUSTOMER DRAWING</p>					
GENERAL TOLERANCES (UNLESS SPECIFIED)									
ANGULAR TOL ± 3.0°									
4 PLACES ±									
3 PLACES ±									
2 PLACES ± 0.25				EC NO: 612508		DRWN: SKRISHNAMU01		2019/02/01	
1 PLACE ±				CHK'D: ABN		2019/03/12		APP: CWANG25	
0 PLACES ±				APP: SHONG		2012/03/05		2012/03/22	
DRAFT WHERE APPLICABLE MUST REMAIN WITHIN DIMENSIONS				THIRD ANGLE PROJECTION		DRAWING		SERIES	
						A3-SIZE		78455	
DOCUMENT NUMBER				DOC TYPE		DOC PART		REVISION	
SD-78455-001				PSD		001		A3	
MATERIAL NUMBER				CUSTOMER		SHEET NUMBER			
SEE TABLE				GENERAL MARKET		3 OF 3			