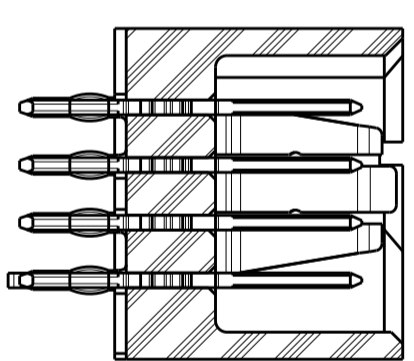
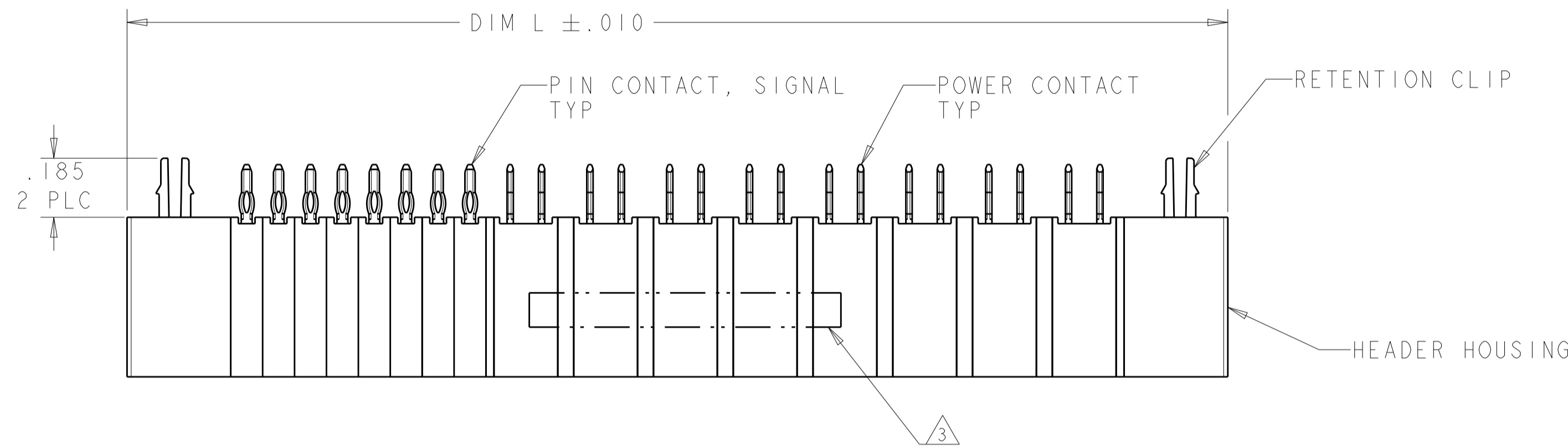
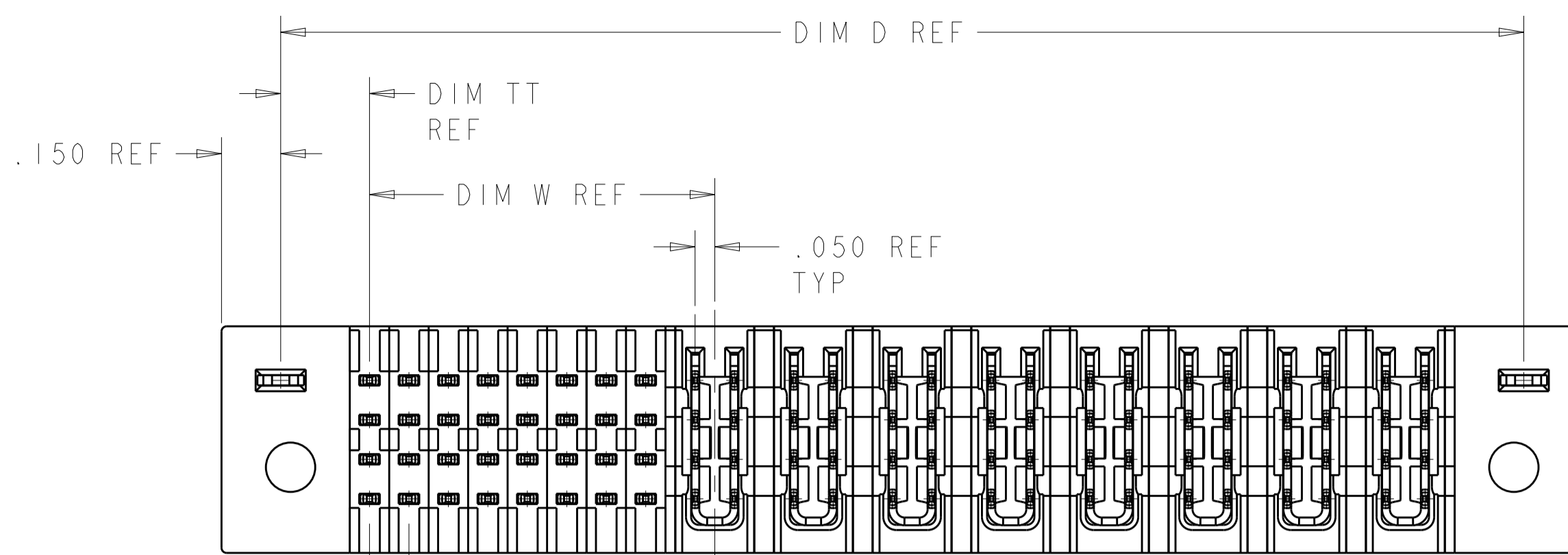
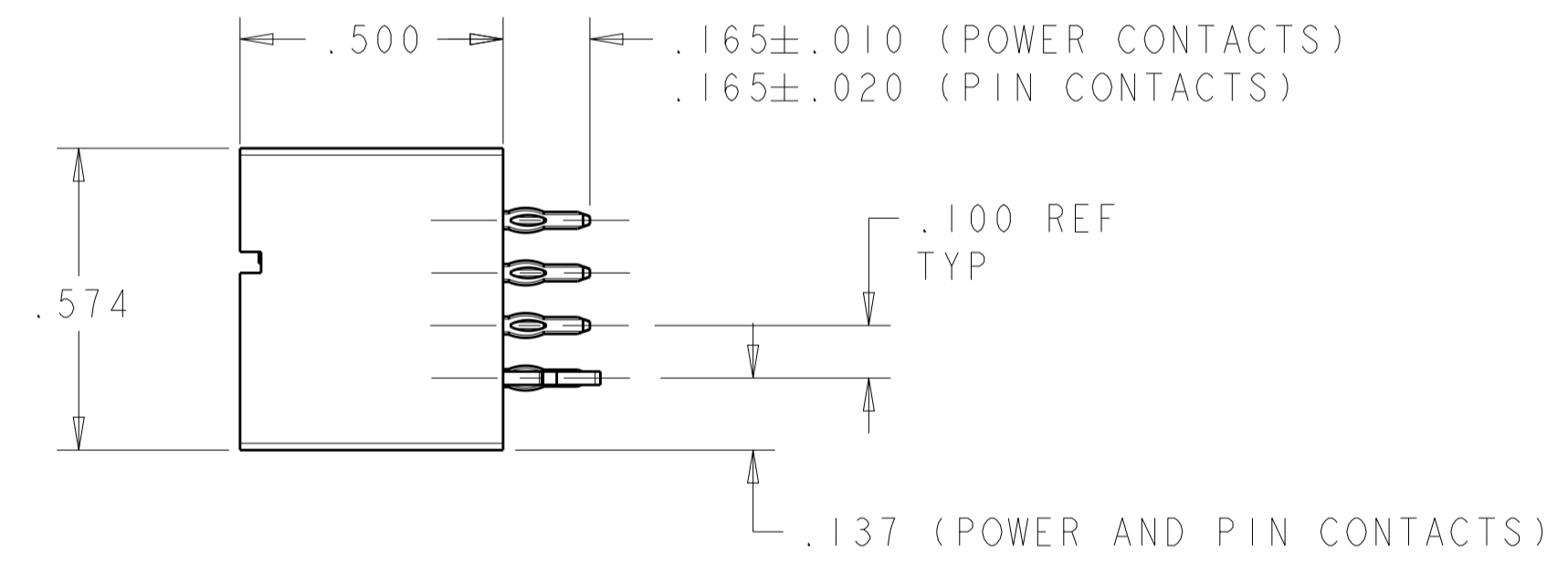
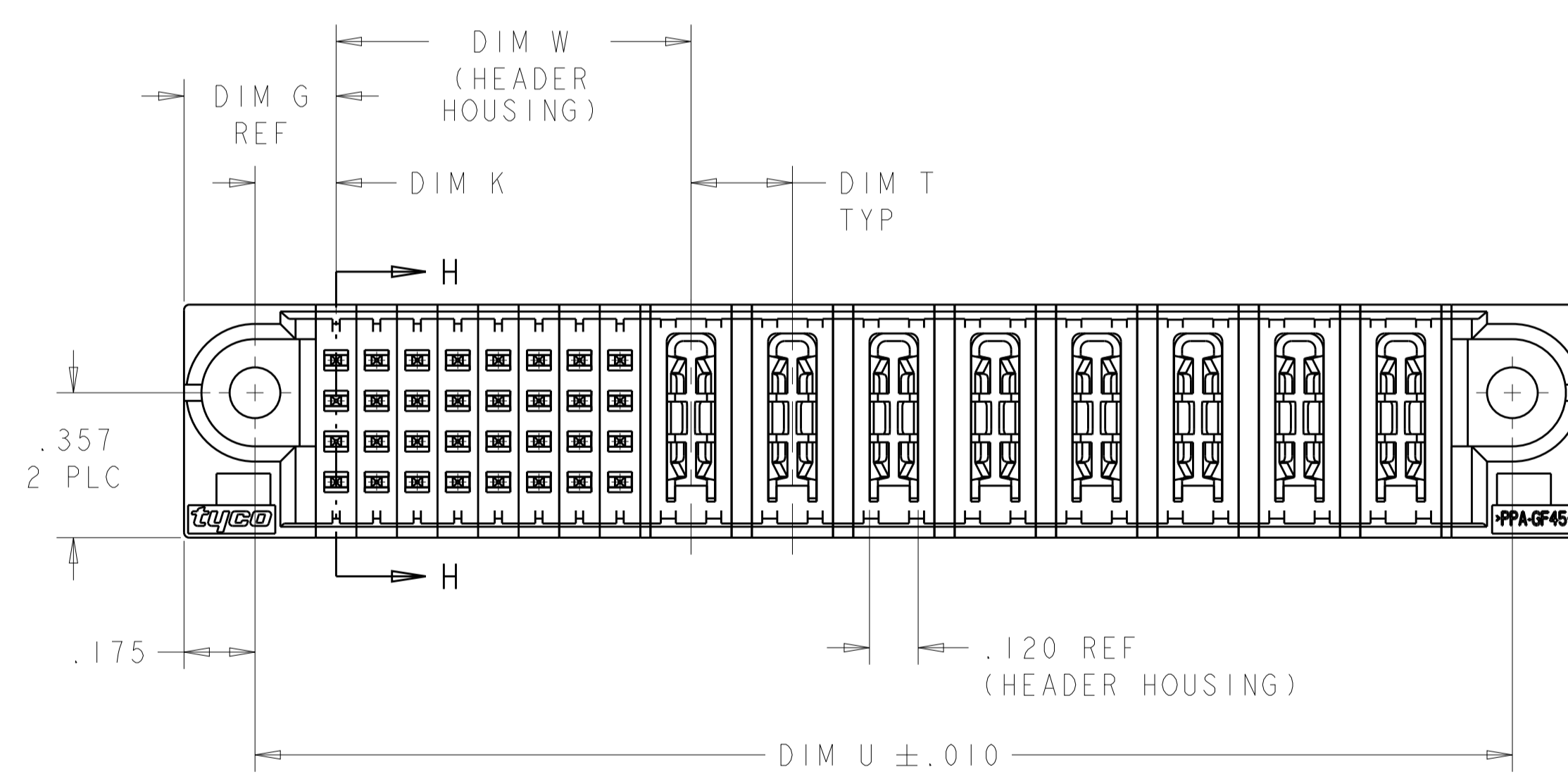


LOC	DIST	REVISIONS					
		P	LTN	DESCRIPTION	DATE	DMN	APVD
ES	00						
		ES	REV	PWE ECR-12-021188	10DEC2012	ML	SZ



SECTION H-H



- △ HEADER HOUSING: THERMO PLASTIC, BLACK, UL94 V-0; CONTACTS: COPPER ALLOY.
- △ CONTACT PLATING: NOBLE METAL PLATING ON CONTACT FUNCTIONAL AREA OF POWER AND SIGNAL CONTACTS.
- △ "AMP", PART NUMBER AND DATE CODE MARKED IN THIS AREA. PARTS UNDER 2.50 LONG MAY BE MARKED ON BOTH SIDES.
- △ DATUM AND BASIC DIMENSIONS ESTABLISHED BY CUSTOMER.
- △ PCB - ALL HOLE DIAMETERS ARE FINISHED HOLE SIZES.
- 6. A SEATING TOOL IS REQUIRED TO SEAT THE HEADER ON THE P.C. BOARD. PLEASE REFER TO THE 114-13038 APPLICATION SPEC.
- △ MECHANICAL CONNECTOR KEEP OUT ZONE.
- △ NOT RELEASED FOR PRODUCTION.

.225	6.000	1.275	.250	6.350	.200	.375	6.050	NO	48S + 18P	6600323-9
.225	4.650	1.675	.250	5.000	.200	.375	4.700	NO	64S + 11P	6600323-8
.225	3.800	3.075	.250	4.150	.200	.375	3.850	YES	120S + 2P	6600323-7
.225	2.800	.200	.300	3.150	.200	.375	2.850	NO	4S + 8ACP	6600323-6
.225	3.800	1.075	.250	4.150	.200	.375	3.850	NO	40S + 10P	6600323-5
.225	1.500	-	-	1.850	.200	.375	1.550	NO	48S	6600323-4
.225	2.400	.675	.250	2.750	.200	.375	2.450	NO	24S + 6P	6600323-3
.225	2.900	.675	.250	3.250	.200	.375	2.950	NO	24S + 8P	6600323-2
.225	3.100	.875	.250	3.450	.200	.375	3.150	NO	32S + 8P	6600323-1
DIM TT	DIM U	DIM W	DIM T	DIM L	DIM K	DIM G	DIM D	RETENTION CLIP	DESCRIPTION	PART NUMBER

THIS DRAWING IS A CONTROLLED DOCUMENT.

DMN: J. McCLINTON 15AUG05
 CHK: D. TROUT 15AUG05
 APVD: B. MLYNE 15AUG05

TE TE Connectivity

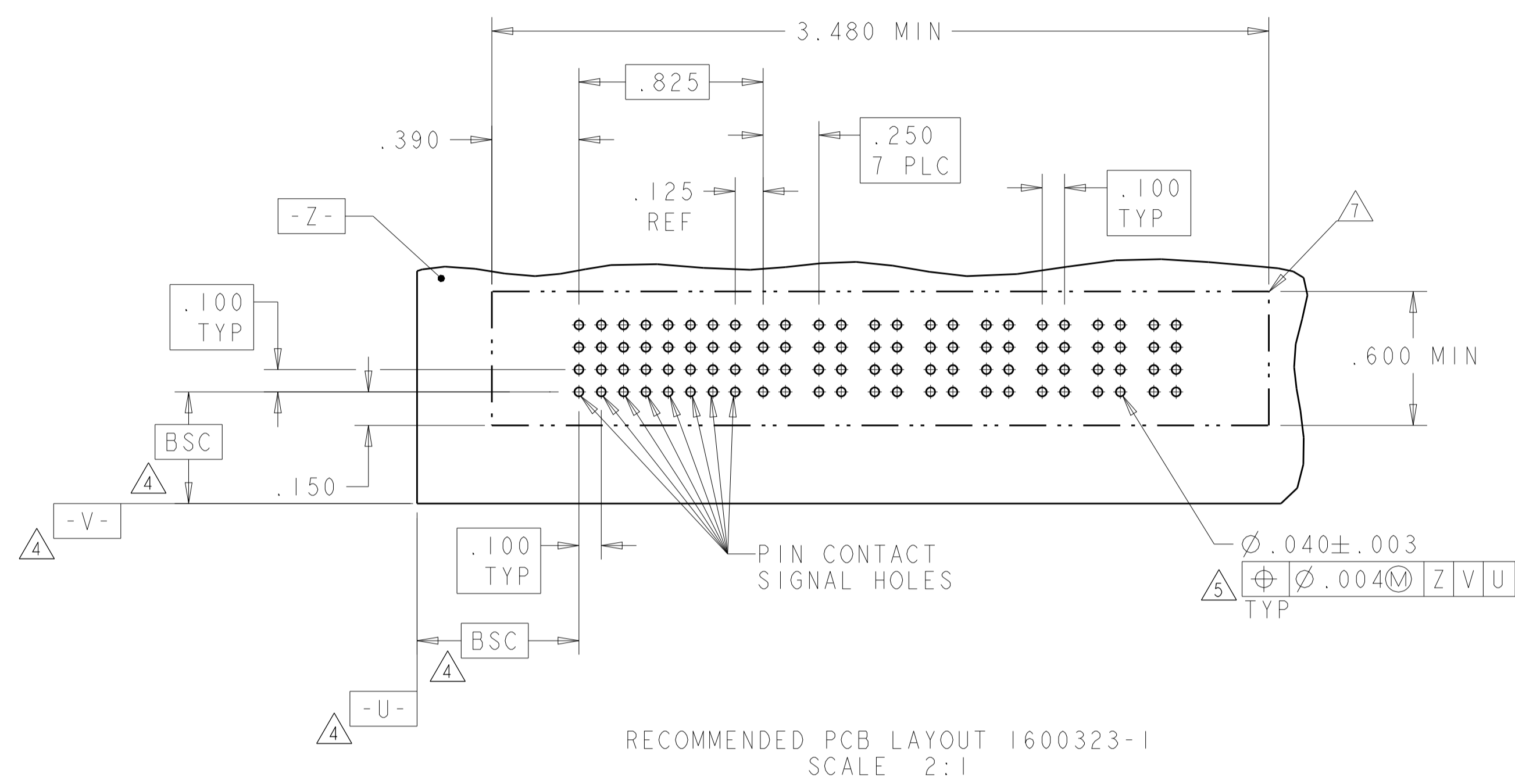
NAME: VERTICAL HEADER ASSEMBLY, W/GUIDES, PRESS FIT, TYPE SP, MULTI-BEAM XL

SIZE: A1 00779 C=6600323

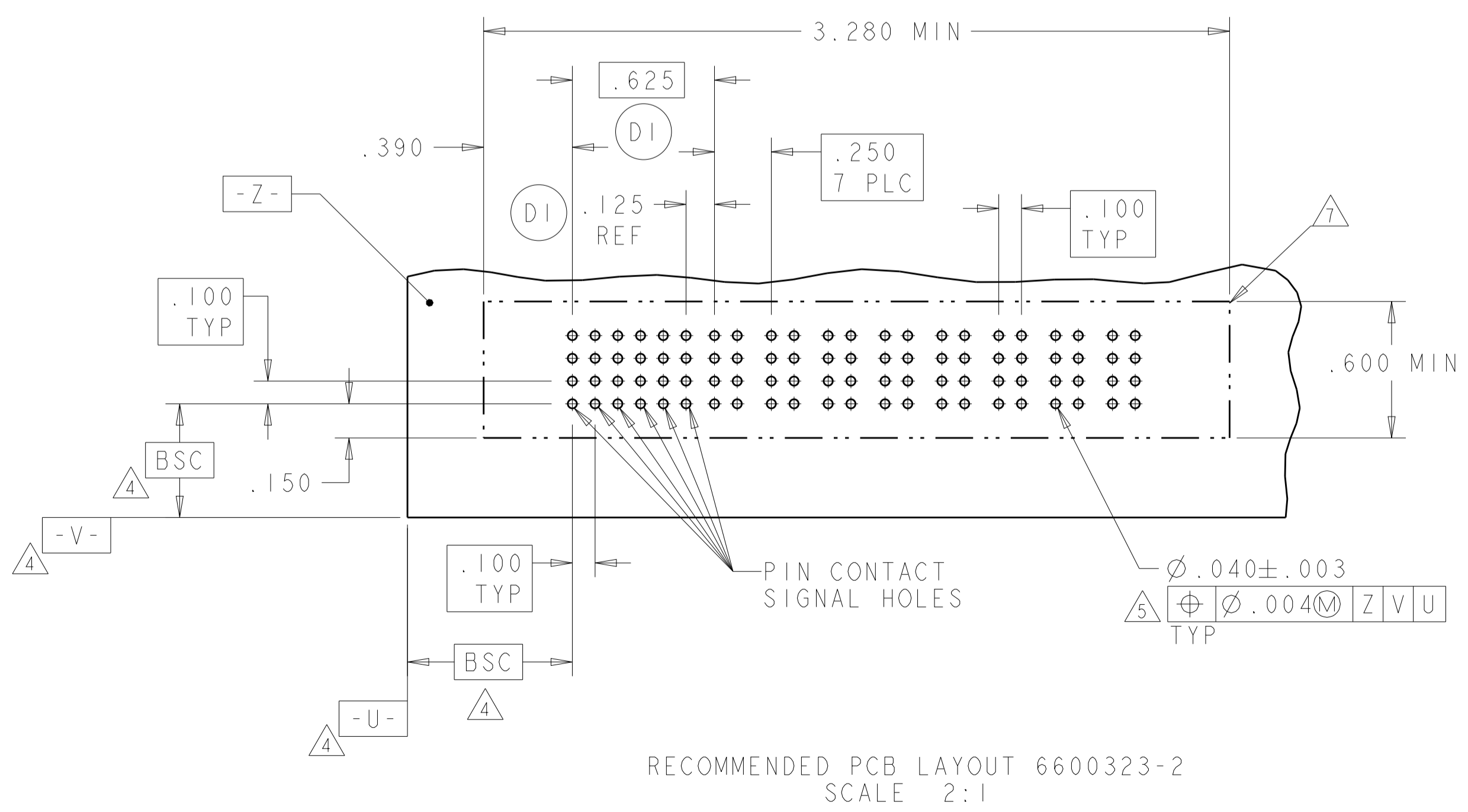
SCALE: 3:1 SHEET 1 OF 7 REV: E5

LOC	DIST	REVISIONS			
REV	DATE	DESCRIPTION	DATE	BY	APPV
ES	00	SEE SHEET 1	-	-	-

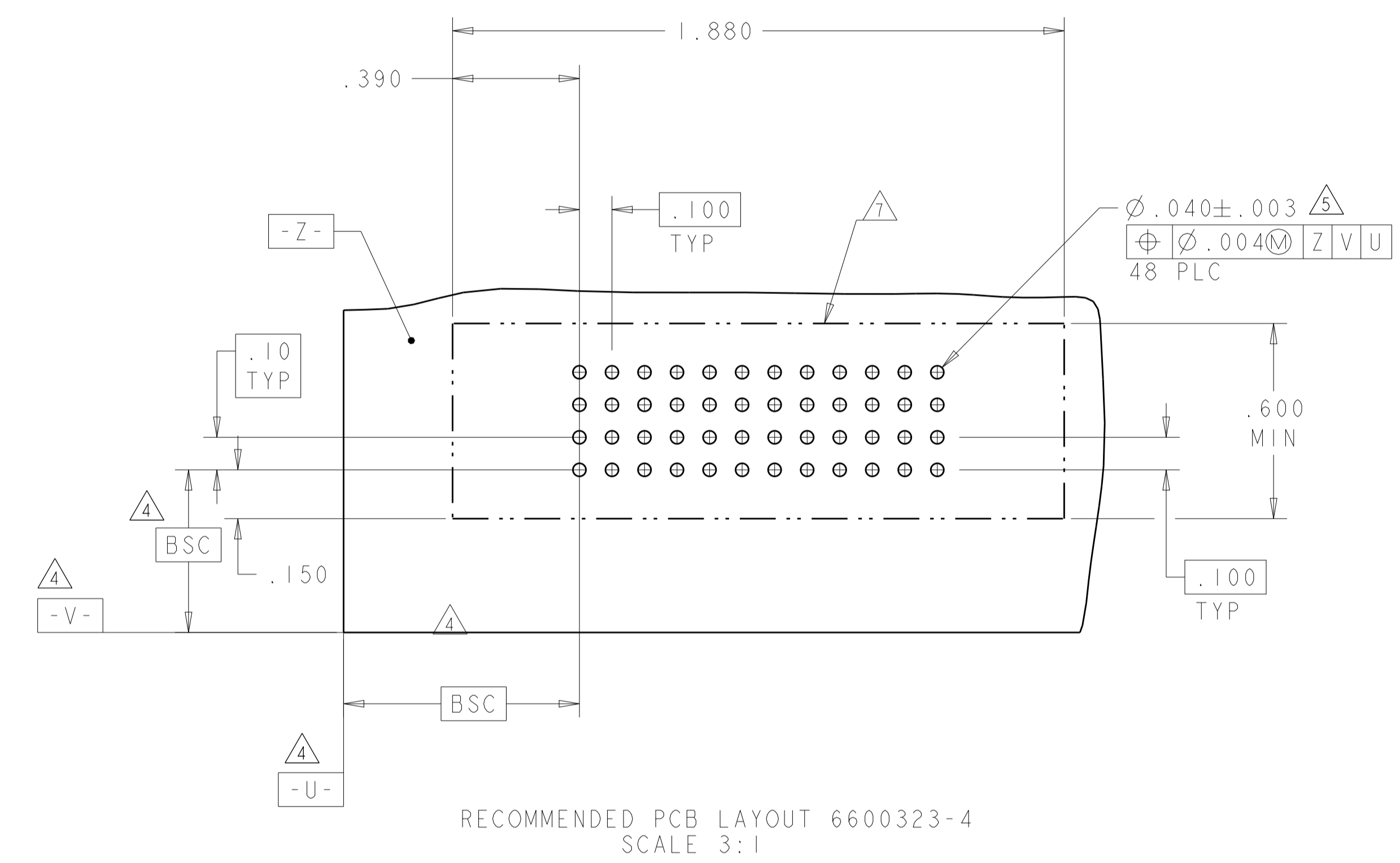
PART NUMBER	ROWS	SIGNAL								POWER							
		1	2	3	4	5	6	7	8	P1	P2	P3	P4	P5	P6	P7	P8
6600323-1	D	EV	EV	EV	EV	EV	EV	EV	EV	VM	VM	VM	VM	VM	VM	VM	VM
	C	EV	EV	EV	EV	EV	EV	EV	EV								
	B	EV	EV	EV	EV	EV	EV	EV	EV								
	A	EV	EV	EV	EV	EV	EV	EV	EV								
32S+8P																	



PART NUMBER	ROWS	SIGNAL						POWER									
		1	2	3	4	5	6	P1	P2	P3	P4	P5	P6	P7	P8		
6600323-2	D	EV	EV	EV	EV	EV	EV	VM	VM	VM	VM	VM	VM	VM	VM		
	C	EV	EV	EV	EV	EV	EV										
	B	EV	EV	EV	EV	EV	EV										
	A	EV	EV	EV	EV	EV	EV										
24S+8P																	



PART NUMBER	ROWS	SIGNAL											
		1	2	3	4	5	6	7	8	9	10	11	12
6600323-4	D	EV	EV	EV	EV	EV	EV	EV	EV	EV	EV	EV	EV
	C	EV	EV	EV	EV	EV	EV	EV	EV	EV	EV	EV	EV
	B	EV	EV	EV	EV	EV	EV	EV	EV	EV	EV	EV	EV
	A	EV	EV	EV	EV	EV	EV	EV	EV	EV	EV	EV	EV
48S													



MATING SEQUENCE	DESCRIPTION	IDENTIFIER
-	RETENTION CLIP	HD
MLBF	SIGNAL CONTACT	ES
STANDARD	SIGNAL CONTACT	EV
-	POWER CONTACT	VM

THIS DRAWING IS A CONTROLLED DOCUMENT.

DIMENSIONS: INCH
 TOLERANCES UNLESS OTHERWISE SPECIFIED:
 0 PLC ±.
 1 PLC ±.
 2 PLC ±.
 3 PLC ±0.005
 4 PLC ±0.005
 ANGLES ±.

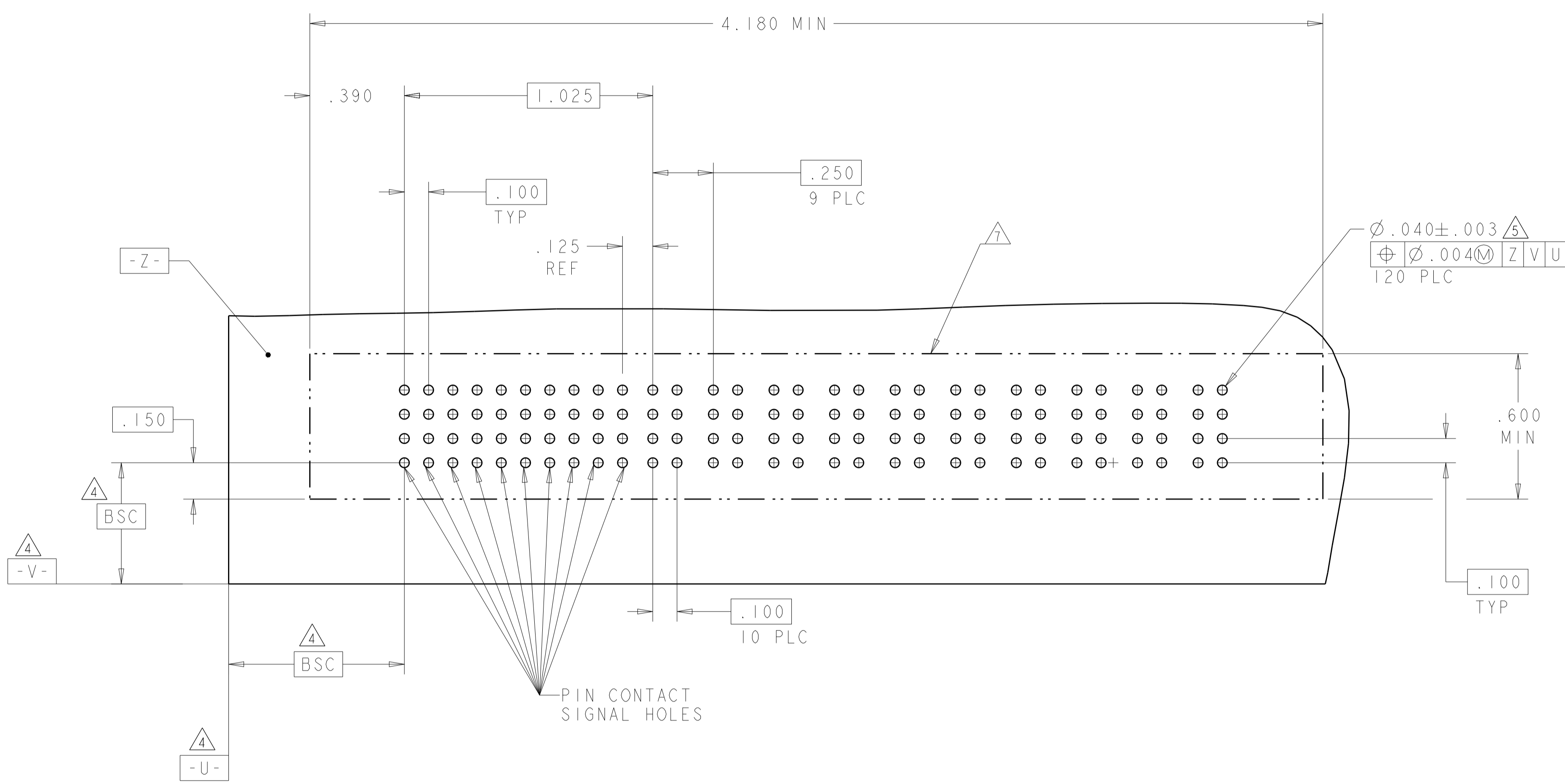
MATERIAL: -
 FINISH: -
 WEIGHT: -
 CUSTOMER DRAWING: -

DWG: J. McCLINTON 15AUG05
 CHK: D. TROUT 15AUG05
 APVD: P. WHYNE 15AUG05
 PRODUCT SPEC: -
 APPLICATION SPEC: -
 SIZE: A1
 CAGE CODE: -
 DRAWING NO: 6600323
 SCALE: 3:1
 SHEET: 2 OF 7
 REV: E5

STE TE Connectivity
 NAME: VERTICAL HEADER ASSEMBLY, W/GUIDES, PRESS FIT, TYPE SP, MULTI-BEAM XL
 RESTRICTED TO: -

LOC	DIST	REVISIONS					
		P	LTN	DESCRIPTION	DATE	DWN	APVD
ES	00	-	-	SEE SHEET 1	-	-	-

PART NUMBER	ROWS	SIGNAL										POWER									
		1	2	3	4	5	6	7	8	9	10	P1	P2	P3	P4	P5	P6	P7	P8	P9	P10
6600323-5	D	EV	EV	EV	EV	EV	EV	EV	EV	EV	EV	VM	VM	VM	VM	VM	VM	VM	VM	VM	VM
	C	EV	EV	EV	EV	EV	EV	EV	EV	EV	EV	VM	VM	VM	VM	VM	VM	VM	VM	VM	VM
	B	EV	EV	EV	EV	EV	EV	EV	EV	EV	EV	VM	VM	VM	VM	VM	VM	VM	VM	VM	VM
	A	EV	EV	EV	EV	EV	EV	EV	EV	EV	EV	VM	VM	VM	VM	VM	VM	VM	VM	VM	VM
40S+10P																					



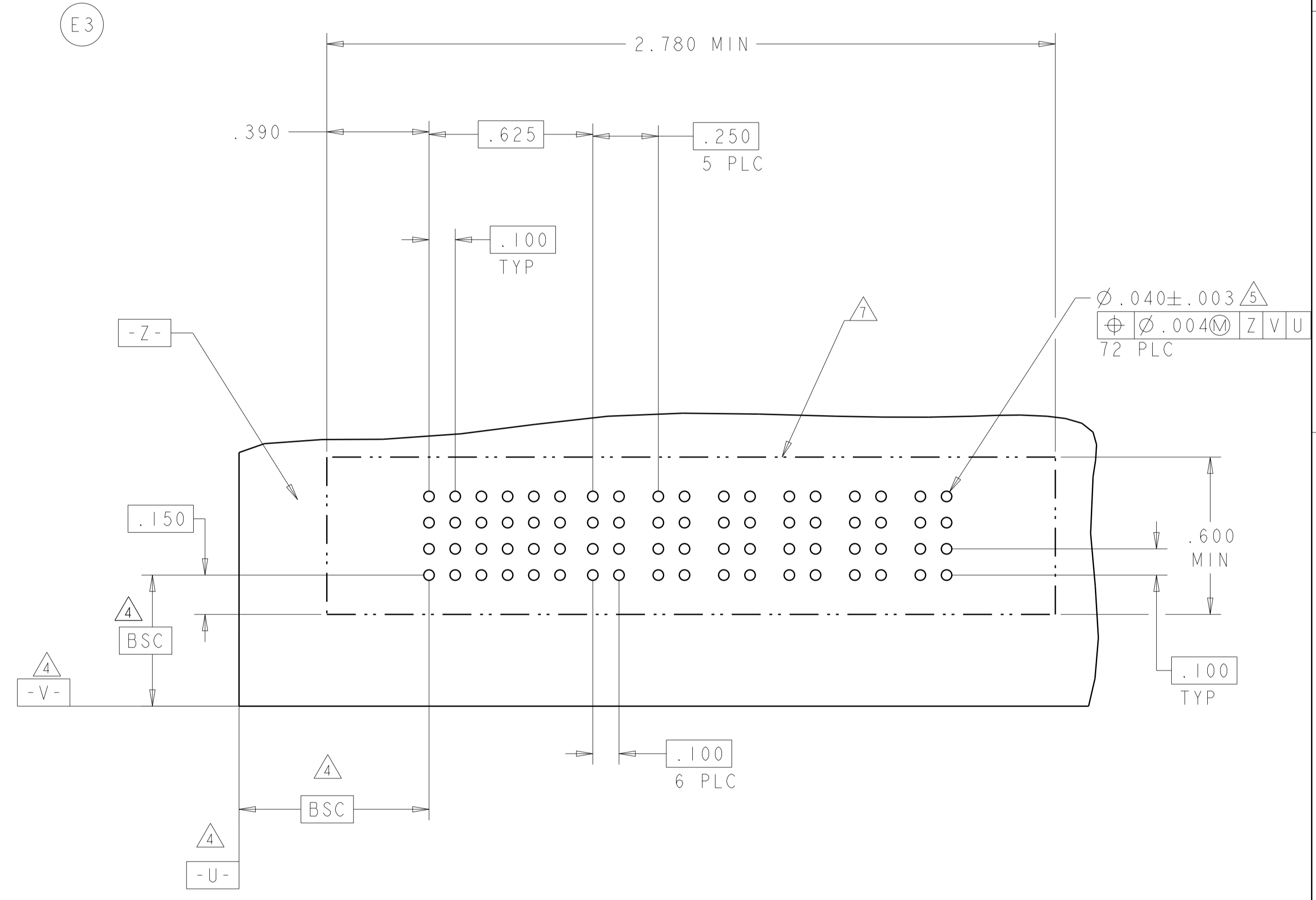
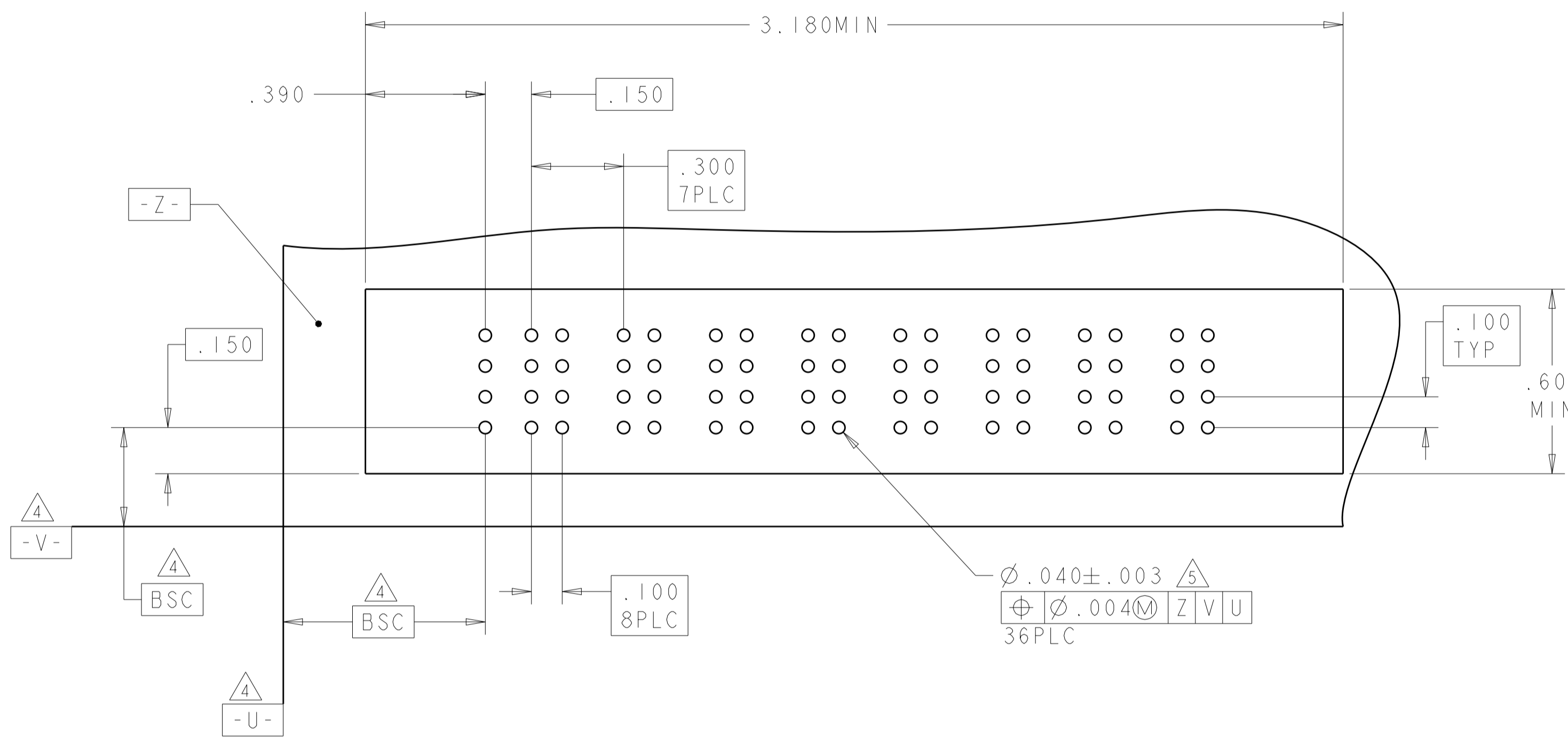
RECOMMENDED PCB LAYOUT 6600323-5
 SCALE 3:1

THIS DRAWING IS A CONTROLLED DOCUMENT.		DWN J. McCLINTON 15AUG05	TE Connectivity														
DIMENSIONS: INCH		CHK D. TROUT 15AUG05															
TOLERANCES UNLESS OTHERWISE SPECIFIED:		APVD P. WHYNE 15AUG05	NAME VERTICAL HEADER ASSEMBLY, W/GUIDES, PRESS FIT, TYPE SP, MULTI-BEAM XL														
<table border="1"> <tr><td>0 PLC</td><td>±</td></tr> <tr><td>1 PLC</td><td>±</td></tr> <tr><td>2 PLC</td><td>±</td></tr> <tr><td>3 PLC</td><td>±</td></tr> <tr><td>4 PLC</td><td>±0.005</td></tr> <tr><td>ANGLES</td><td>±0.0005</td></tr> <tr><td>FINISH</td><td>±</td></tr> </table>		0 PLC	±	1 PLC	±	2 PLC	±	3 PLC	±	4 PLC	±0.005	ANGLES	±0.0005	FINISH	±	PRODUCT SPEC	SIZE A100779
0 PLC	±																
1 PLC	±																
2 PLC	±																
3 PLC	±																
4 PLC	±0.005																
ANGLES	±0.0005																
FINISH	±																
MATERIAL		APPLICATION SPEC	CAGE CODE C=6600323														
		WEIGHT	RESTRICTED TO														
		CUSTOMER DRAWING	SCALE 3:1														
			SHEET 3 OF 7														
			REV E5														

LOC	DIST	REVISIONS			
P	LTN	DESCRIPTION	DATE	DMN	APVD
-	-	SEE SHEET 1	-	-	-

PART NUMBER	ROWS	SIGNAL		POWER							
		I	P1	P2	P3	P4	P5	P6	P7	P8	
6600323-6	D	EV									
	C	EV	VM	VM	VM	VM	VM	VM	VM	VM	
	B	EV									
	A	EV									
4S + 8ACP											

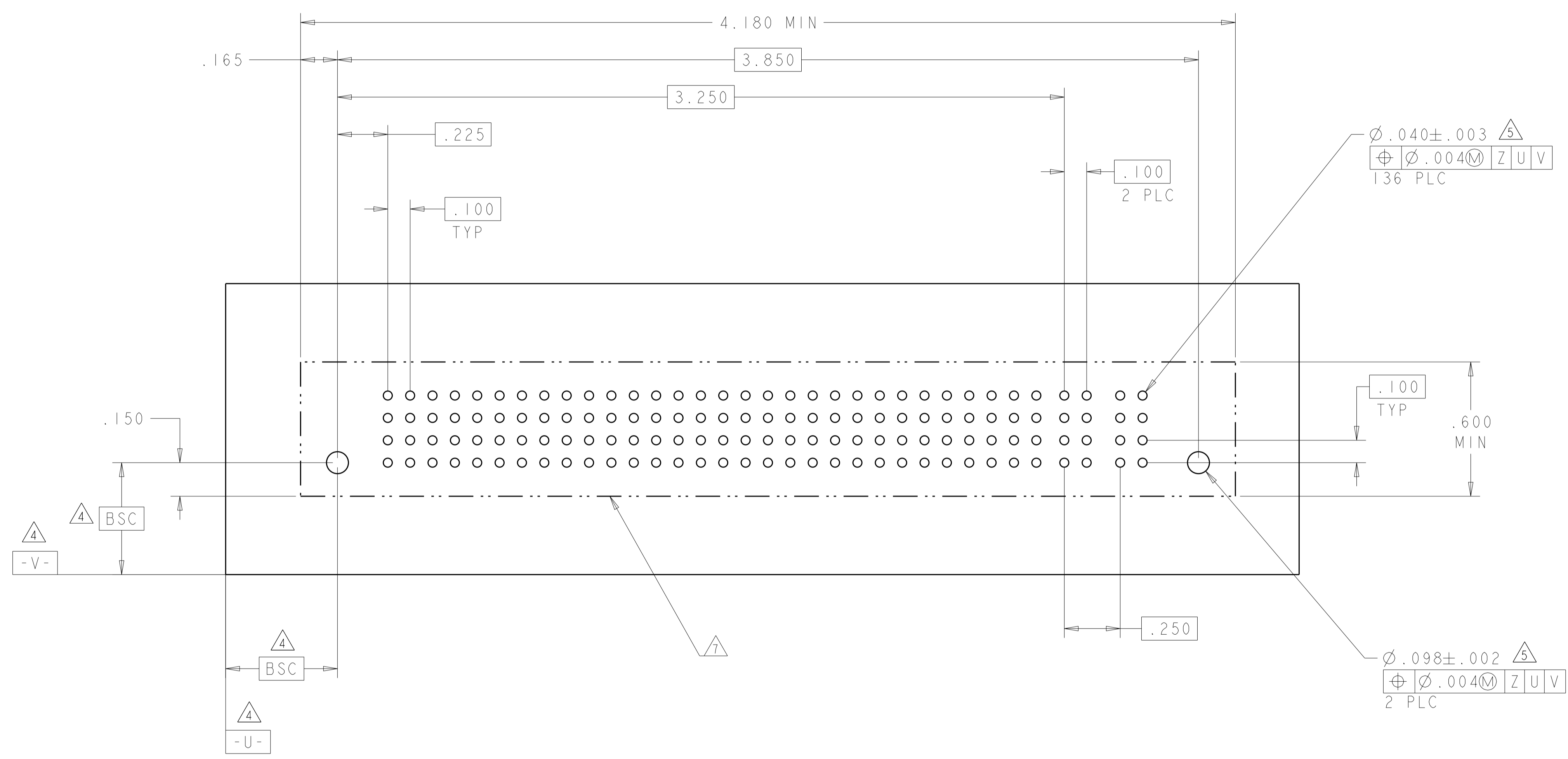
PART NUMBER	ROWS	SIGNAL						POWER					
		1	2	3	4	5	6	P1	P2	P3	P4	P5	P6
6600323-3	D	EV	EV	EV	EV	EV	EV						
	C	EV	EV	EV	EV	EV	EV	VM	VM	VM	VM	VM	VM
	B	EV	EV	EV	EV	EV	EV						
	A	EV	EV	EV	EV	EV	EV						
24S+6P													



THIS DRAWING IS A CONTROLLED DOCUMENT.		DMN J. McCLINTON 15AUG05	TE Connectivity
DIMENSIONS: INCH		CHK D. TROUT 15AUG05	
TOLERANCES UNLESS OTHERWISE SPECIFIED:		APVD P. WHYNE 15AUG05	NAME VERTICAL HEADER ASSEMBLY, W/GUIDES, PRESS FIT, TYPE SP, MULTI-BEAM XL
0 PLC ±	1 PLC ±	PRODUCT SPEC	SIZE CAGE CODE DRAWING NO RESTRICTED TO
2 PLC ±	3 PLC ±	APPLICATION SPEC	A100779C=6600323
4 PLC ±0.005	5 PLC ±0.005	WEIGHT	SCALE 3:1 SHEET 4 OF 7 REV E5
ANGLES ±0.0005	FINISH	CUSTOMER DRAWING	

LOC	DIST	REV	DATE	BY	APP'D
ES	00				

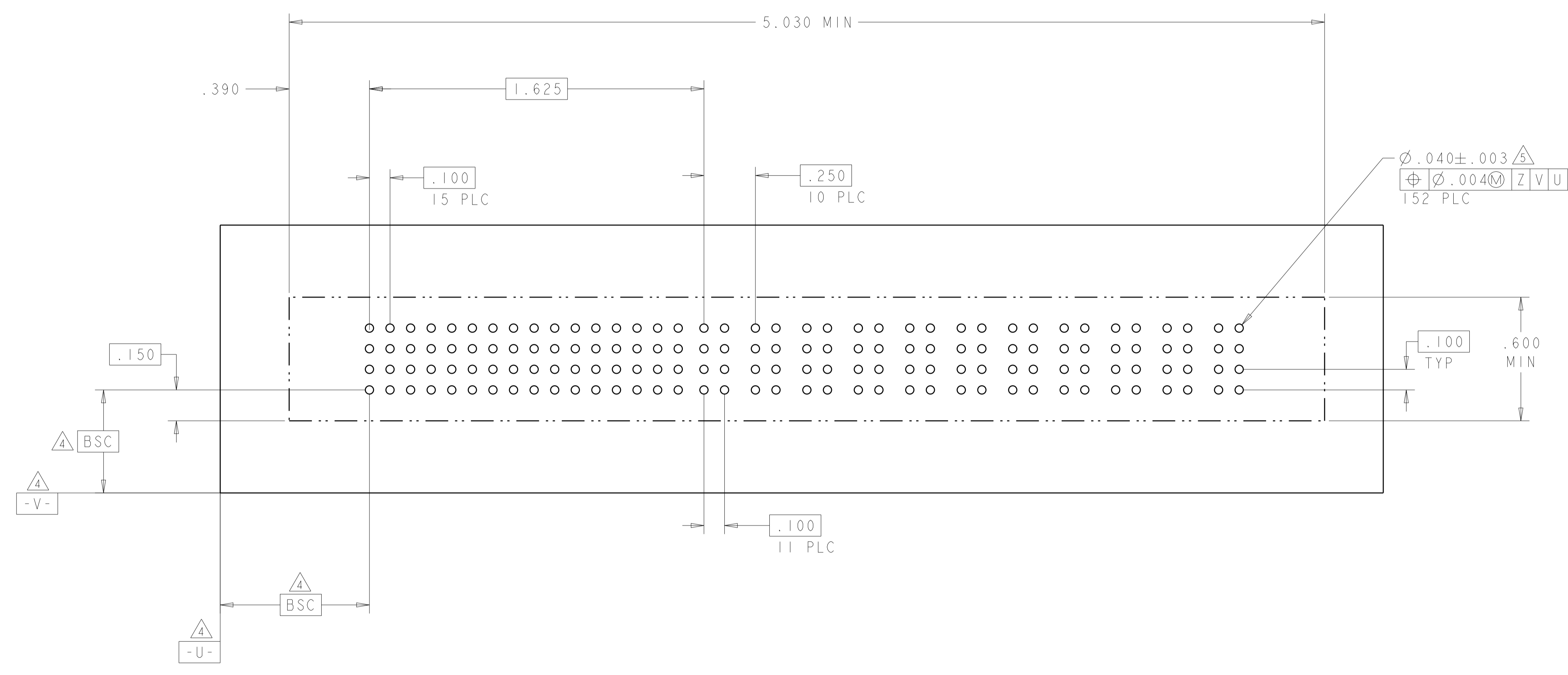
PART NUMBER	ROWS	SIGNAL																														POWER			
		1	2	3	4	5	6	7	8	9	10	11	12	13	14	15	16	17	18	19	20	21	22	23	24	25	26	27	28	29	30	P1	P2		
6600323-7	D	EV	EV	EV	EV	EV	EV	EV	EV	EV	EV	EV	EV	EV	EV	EV	EV	EV	EV	EV	EV	EV	EV	EV	EV	EV	EV	EV	EV	EV	EV	EV	VM	VM	
	C	EV	EV	EV	EV	EV	EV	EV	EV	EV	EV	EV	EV	EV	EV	EV	EV	EV	EV	EV	EV	EV	EV	EV	EV	EV	EV	EV	EV	EV	EV	EV	EV	EV	
	B	EV	EV	EV	EV	EV	EV	EV	EV	EV	EV	EV	EV	EV	EV	EV	EV	EV	EV	EV	EV	EV	EV	EV	EV	EV	EV	EV	EV	EV	EV	EV	EV	EV	
	A	EV	EV	EV	EV	EV	EV	EV	EV	EV	EV	EV	EV	EV	EV	EV	EV	EV	EV	EV	EV	EV	EV	EV	EV	EV	EV	EV	EV	EV	EV	EV	EV	EV	
120S + 2P																																			



THIS DRAWING IS A CONTROLLED DOCUMENT.		OWN J. McCLINTON 15AUG05	 TE Connectivity
DIMENSIONS: INCH		CHK D. TROUT 15AUG05	
TOLERANCES UNLESS OTHERWISE SPECIFIED: 0 PLC ± 1 PLC ± 2 PLC ± 3 PLC ±0.005 4 PLC ±0.0005 ANGLES ±		APP'D P. WHYNE 15AUG05	
MATERIAL		PRODUCT SPEC	NAME VERTICAL HEADER ASSEMBLY, W/GUIDES, PRESS FIT, TYPE SP, MULTI-BEAM XL
FINISH		APPLICATION SPEC	SIZE A100779
CUSTOMER DRAWING		WEIGHT	DRAWING NO C=6600323
		SCALE 3:1	SHEET 5 OF 7
		REV E5	

LOC	DIST	REVISIONS					
		P	LTN	DESCRIPTION	DATE	DMN	APVD
ES	00	-	-	SEE SHEET 1	-	-	-

PART NUMBER	ROWS	SIGNAL																POWER											
		1	2	3	4	5	6	7	8	9	10	11	12	13	14	15	16	P1	P2	P3	P4	P5	P6	P7	P8	P9	P10	P11	
6600323-8	D	EV	EV	EV	EV	EV	EV	EV	EV	EV	EV	EV	EV	EV	EV	EV	VM	VM	VM	VM	VM	VM	VM	VM	VM	VM	VM	VM	
	C	EV	EV	EV	EV	EV	EV	EV	EV	EV	EV	EV	EV	EV	EV	EV													
	B	EV	EV	EV	EV	EV	EV	EV	EV	EV	EV	EV	EV	EV	EV	EV													
	A	EV	EV	EV	EV	EV	EV	EV	EV	EV	EV	EV	EV	EV	EV	EV													
64S + IIP																													

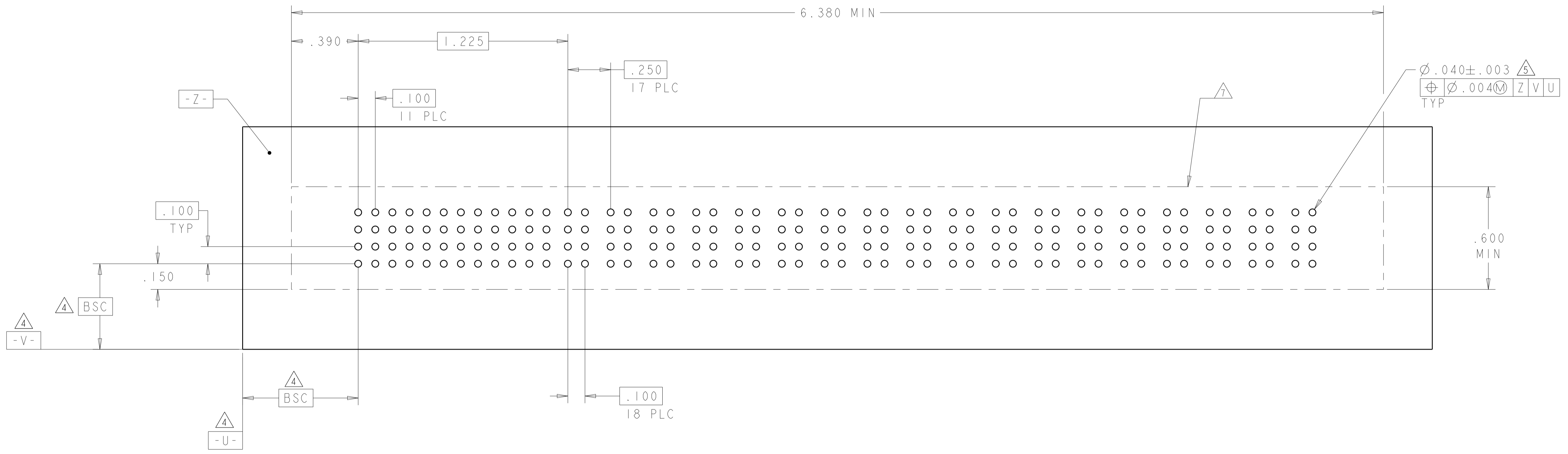


THIS DRAWING IS A CONTROLLED DOCUMENT.		DMN J. McCLINTON 15AUG05	TE Connectivity
DIMENSIONS: INCH		CHK D. TROUT 15AUG05	
		APVD P. WHYNE 15AUG05	NAME VERTICAL HEADER ASSEMBLY, W/GUIDES, PRESS FIT, TYPE SP, MULTI-BEAM XL
TOLERANCES UNLESS OTHERWISE SPECIFIED: 0 PLC ± 1 PLC ± 2 PLC ± 3 PLC ±0.005 4 PLC ±0.0005 ANGLES ±		PRODUCT SPEC APPLICATION SPEC	SIZE A100779C=6600323
MATERIAL FINISH		WEIGHT	RESTRICTED TO
CUSTOMER DRAWING		SCALE 3:1	SHEET 6 OF 7
		REV E5	

LOC	DIST	REVISIONS			
P	LTN	DESCRIPTION	DATE	DMN	APVD
ES	00	- SEE SHEET 1	-	-	-

PART NUMBER	ROWS	SIGNAL												POWER																	
		1	2	3	4	5	6	7	8	9	10	11	12	P1	P2	P3	P4	P5	P6	P7	P8	P9	P10	P11	P12	P13	P14	P15	P16	P17	P18
6600323-9	D	EV	EV	EV	EV	EV	EV	EV	EV	EV	EV	EV	EV	VM	VM	VM	VM	VM	VM	VM	VM	VM	VM	VM	VM	VM	VM	VM	VM	VM	VM
	C	EV	EV	EV	EV	EV	EV	EV	EV	EV	EV	EV	EV	VM	VM	VM	VM	VM	VM	VM	VM	VM	VM	VM	VM	VM	VM	VM	VM	VM	VM
	B	EV	EV	EV	EV	EV	EV	EV	EV	EV	EV	EV	EV	VM	VM	VM	VM	VM	VM	VM	VM	VM	VM	VM	VM	VM	VM	VM	VM	VM	VM
	A	EV	EV	EV	EV	EV	EV	EV	EV	EV	EV	EV	EV	VM	VM	VM	VM	VM	VM	VM	VM	VM	VM	VM	VM	VM	VM	VM	VM	VM	VM
48S + 18P																															

(E1)



THIS DRAWING IS A CONTROLLED DOCUMENT.		DMN J. McCLINTON 15AUG05	TE Connectivity														
DIMENSIONS: INCH		CHK D. TROUT 15AUG05															
TOLERANCES UNLESS OTHERWISE SPECIFIED:		APVD P. WHYNE 15AUG05	NAME VERTICAL HEADER ASSEMBLY, W/GUIDES, PRESS FIT, TYPE SP, MULTI-BEAM XL														
<table border="1"> <tr><td>0 PLC</td><td>±</td></tr> <tr><td>1 PLC</td><td>±</td></tr> <tr><td>2 PLC</td><td>±</td></tr> <tr><td>3 PLC</td><td>±0.005</td></tr> <tr><td>4 PLC</td><td>±0.0005</td></tr> <tr><td>ANGLES</td><td>±</td></tr> <tr><td>FINISH</td><td></td></tr> </table>		0 PLC	±	1 PLC	±	2 PLC	±	3 PLC	±0.005	4 PLC	±0.0005	ANGLES	±	FINISH		PRODUCT SPEC	SIZE A100779
0 PLC	±																
1 PLC	±																
2 PLC	±																
3 PLC	±0.005																
4 PLC	±0.0005																
ANGLES	±																
FINISH																	
MATERIAL		APPLICATION SPEC	DRAWING NO C=6600323														
		WEIGHT	RESTRICTED TO														
		CUSTOMER DRAWING	SCALE 3:1														
			SHEET 7 OF 7														
			REV E5														