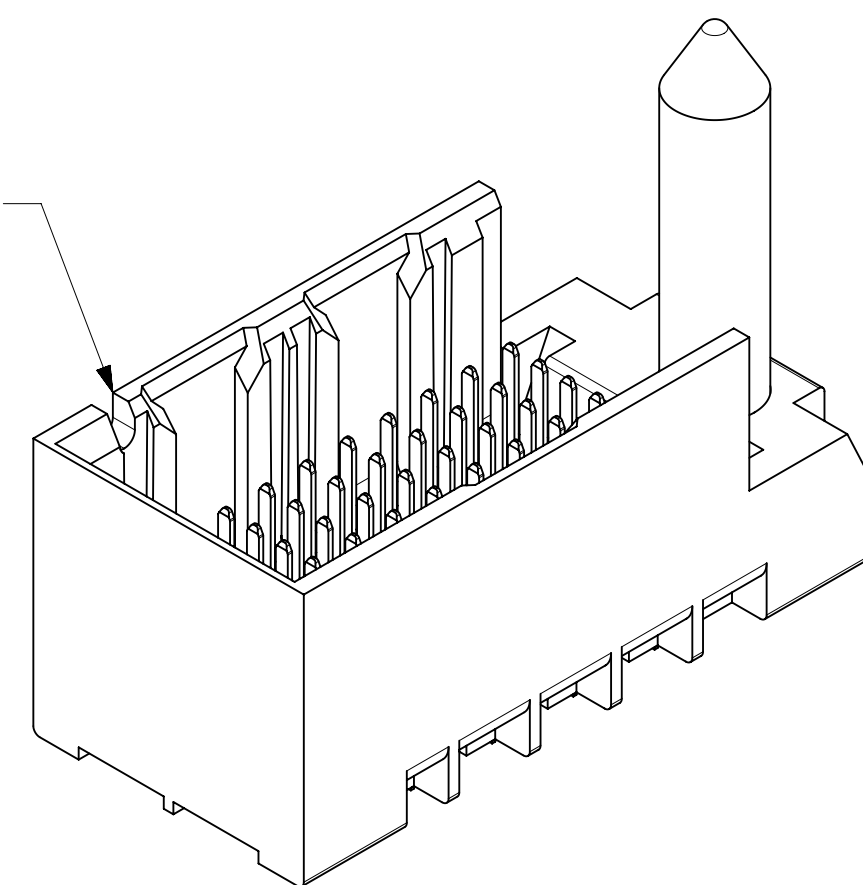


SEE PART NUMBER CHART AND PART NUMBER LOGIC (6 HOLES PER COLUMN)  
 RIGHT GUIDED BACKPLANE HOLE PATTERN (CONNECTOR SIDE)  
 SEE NOTE 11

NOTCH DESIGNATES ROW A

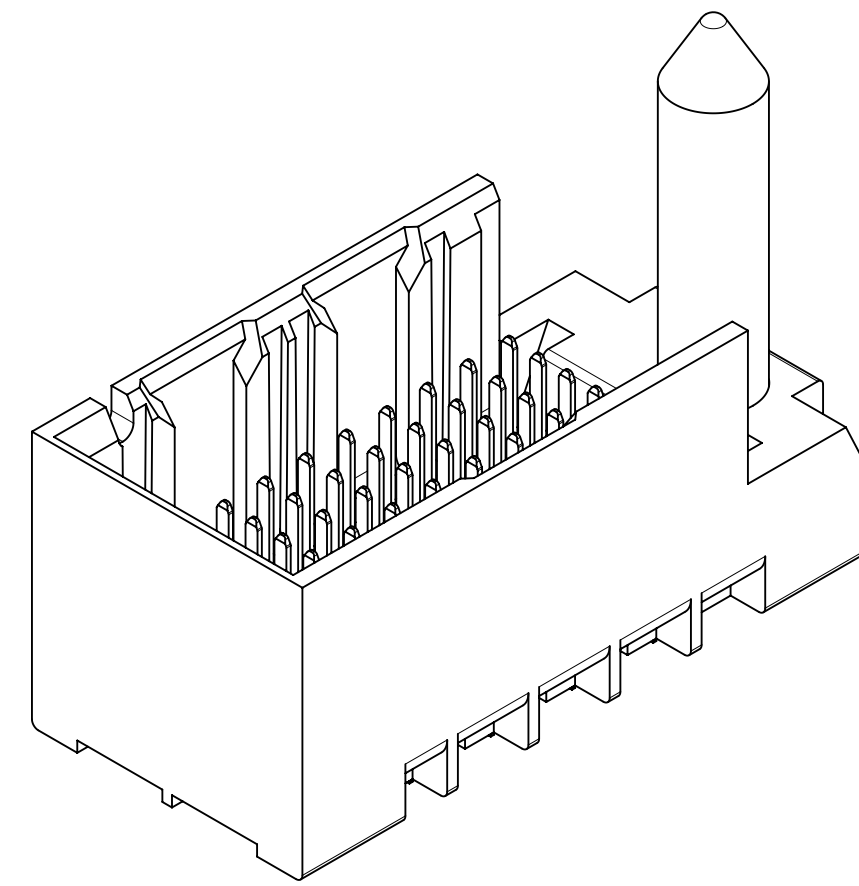


- NOTES:
- MATERIALS: HOUSING - LIQUID CRYSTAL POLYMER (LCP) GLASS-FILLED, UL94V-0  
 TERMINALS - HIGH PERFORMANCE COPPER ALLOY
  - FINISH: 30μ MIN GOLD IN CONTACT AREA.  
 SELECTIVE TIN ON PCB TAILS.  
 NICKEL OVERALL.
  - REFER TO MOLEX PRODUCT SPECIFICATION PS-76060-999. FOR PERFORMANCE SPECIFICATIONS AND ADDITIONAL PCB INFORMATION.
  - THIS PART CONFORMS TO CLASS B REQUIREMENTS OF MOLEX COSMETIC SPEC PS-45499-002.
  - PACKAGE PER: PK-70873-761
  - SEE SHEETS 2 & 3 FOR PART NUMBERS AND BOARD RELATIONSHIPS.
  - MATES WITH IMPACT DC SERIES NO. 76460.
  - KEEP OUT ZONE FOR BP HOUSING LENGTH INCLUDES AN ADDITIONAL 1.0MM TO ACCOMMODATE FOR SPACE REQUIRED BY DC FRONT HOUSING.
  - REFER TO MOLEX PCB ROUTING GUIDE AS-76060-990 FOR ANTIPAD AND ROUTING RECOMMENDATIONS.
  - CONNECTORS SUPPLIED WITH A 2-56 UNC-2A SCREW.
  - "THESE DIMENSIONS REPRESENT THE AREA NEEDED TO ACCOMMODATE CONNECTOR INSERTION AND REPAIR ON THE PC BOARD. THIS IS REFERRED TO AS THE "CONNECTOR KEEP OUT ZONE" AND DOES NOT REPRESENT THE ACTUAL PERIMETER OF THE CONNECTOR. WHEN LAYING OUT A PC BOARD FOR CONNECTORS STACKED TOGETHER, USE A 1.9mm PROGRESSION."

THIS DRAWING CONTAINS INFORMATION THAT IS PROPRIETARY TO MOLEX ELECTRONIC TECHNOLOGIES, LLC AND SHOULD NOT BE USED WITHOUT WRITTEN PERMISSION											
DRAWING CORRECTION	2018/04/19	2018/04/23	2018/05/09	GENERAL TOLERANCES (UNLESS SPECIFIED)	DIMENSION UNITS	SCALE					
	EC NO: 175272	DRWN: HILGOH	CHKD: JLTAN06		MM	4:1					
	4 PLACES	±	MSANDBERG		DATE	2008/03/12	IMPACT 2 PAIR HEADER RIGHT GUIDED ASSEMBLY SALES DRAWING				
	3 PLACES	±	CHKD BY		DATE	2008/03/12					
2 PLACES	± 0.13	JLAURX	DATE	2010/10/15	PRODUCT CUSTOMER DRAWING						
1 PLACE	± 0.25	JLAURX	DATE	2010/10/15	SERIES	MATERIAL NUMBER	CUSTOMER	GENERAL MARKET			
0 PLACES	±	DRAFT WHERE APPLICABLE MUST REMAIN WITHIN DIMENSIONS			DRAWING SIZE	THIRD ANGLE PROJECTION	76455	SEE TABLE			
G3	REV	APPR: DWLE01	C				DOCUMENT NUMBER	PSD	DOC PART	SHEET NUMBER	1 OF 3
							SD-76455-003		001		

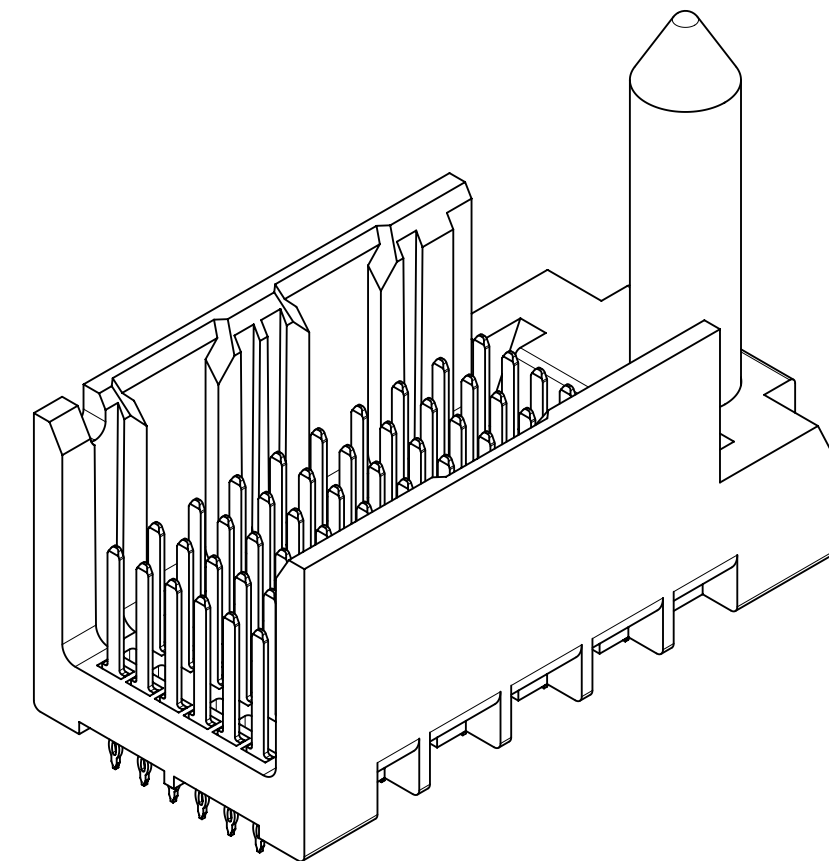
## PART NUMBER TABLE

MATERIAL NUMBER	# OF COLUMNS	# OF DIFF PAIR	DIM 'A'	DIM 'B'	GUIDE RIGHT END WALL OPTION
76455-*10*	10	20	26.9	17.10	
76455-*60*	16	32	38.3	28.50	



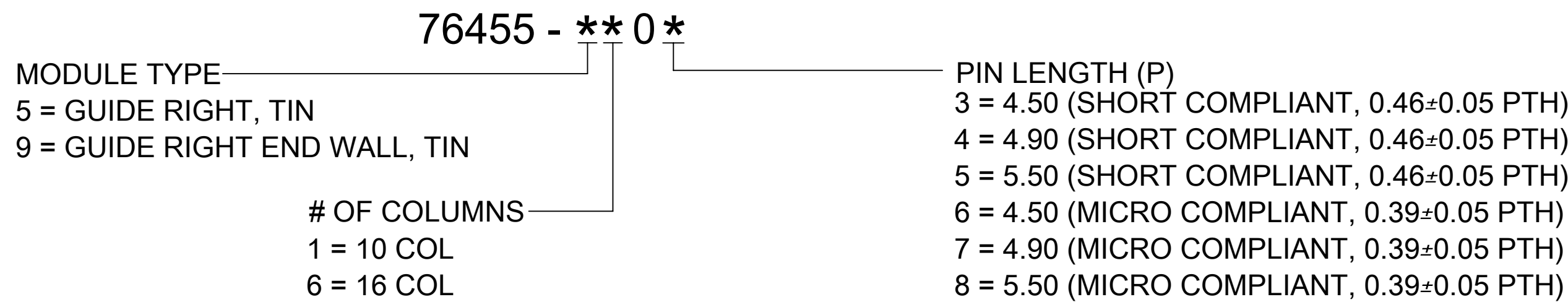
GUIDE RIGHT  
END WALL  
OPTION

MATERIAL NUMBER	# OF COLUMNS	# OF DIFF PAIR	DIM 'A'	DIM 'B'	GUIDE RIGHT OPEN WALL OPTION
76455-*10*	10	20	25.5	17.10	
76455-*60*	16	32	36.9	28.50	



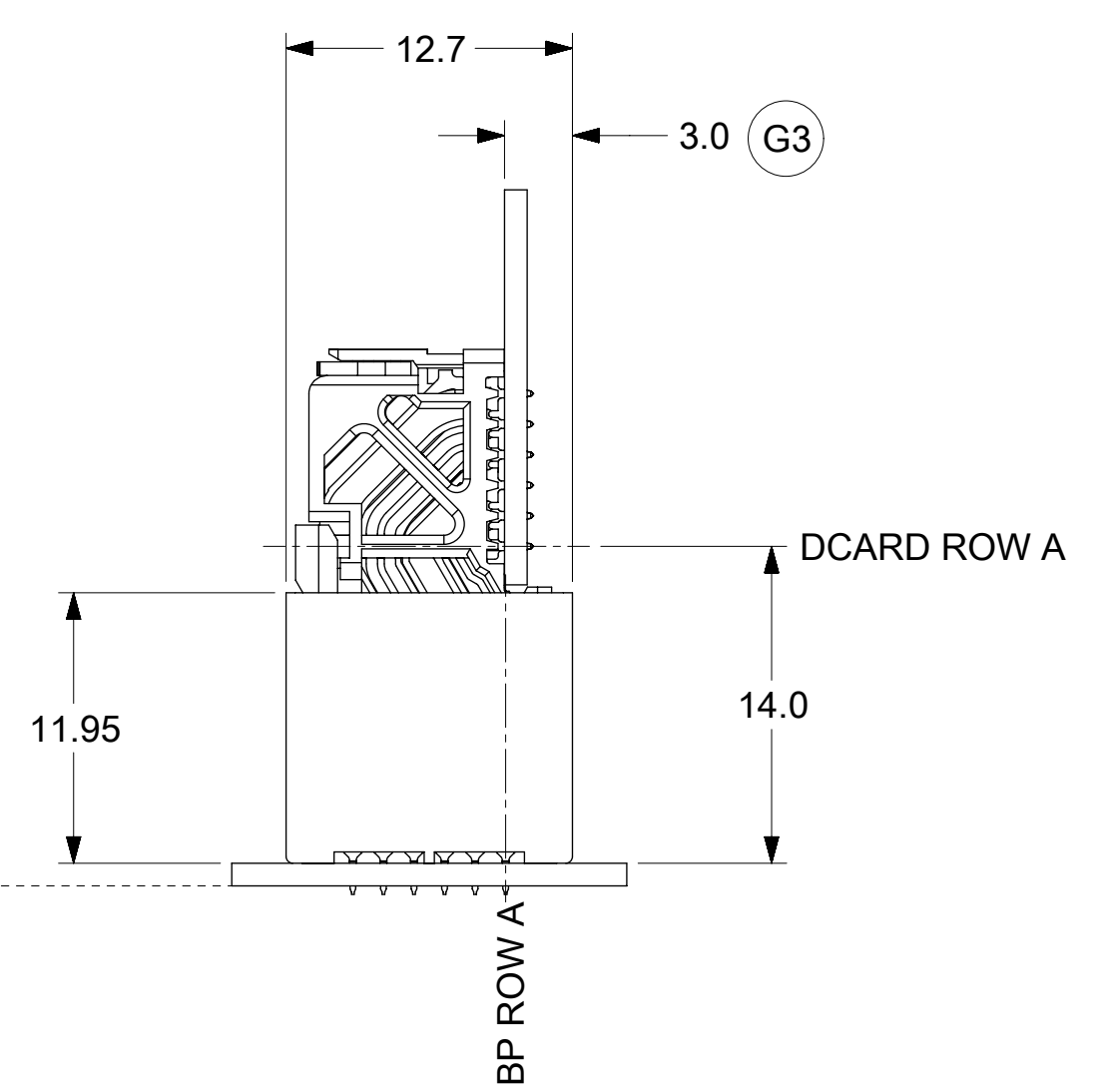
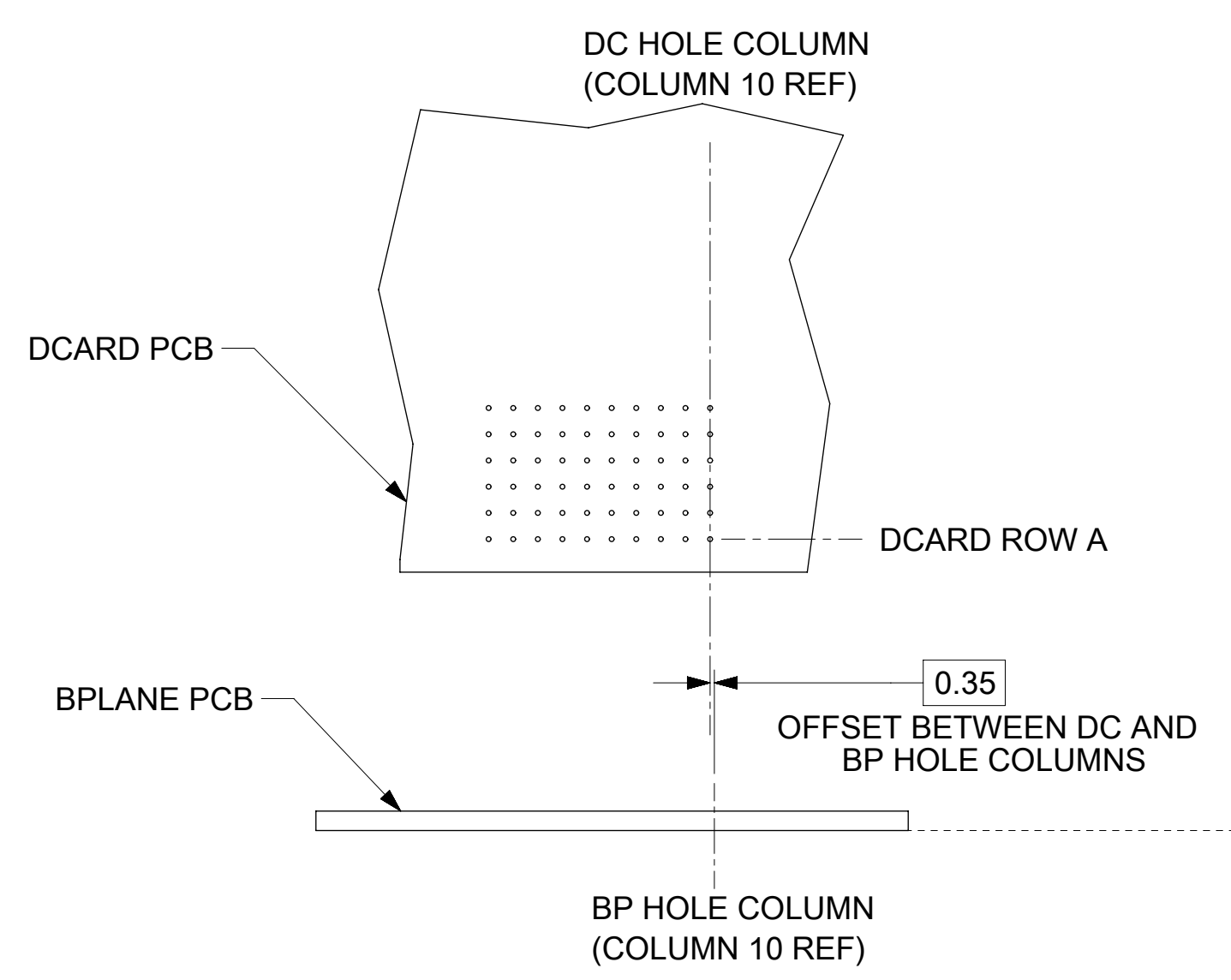
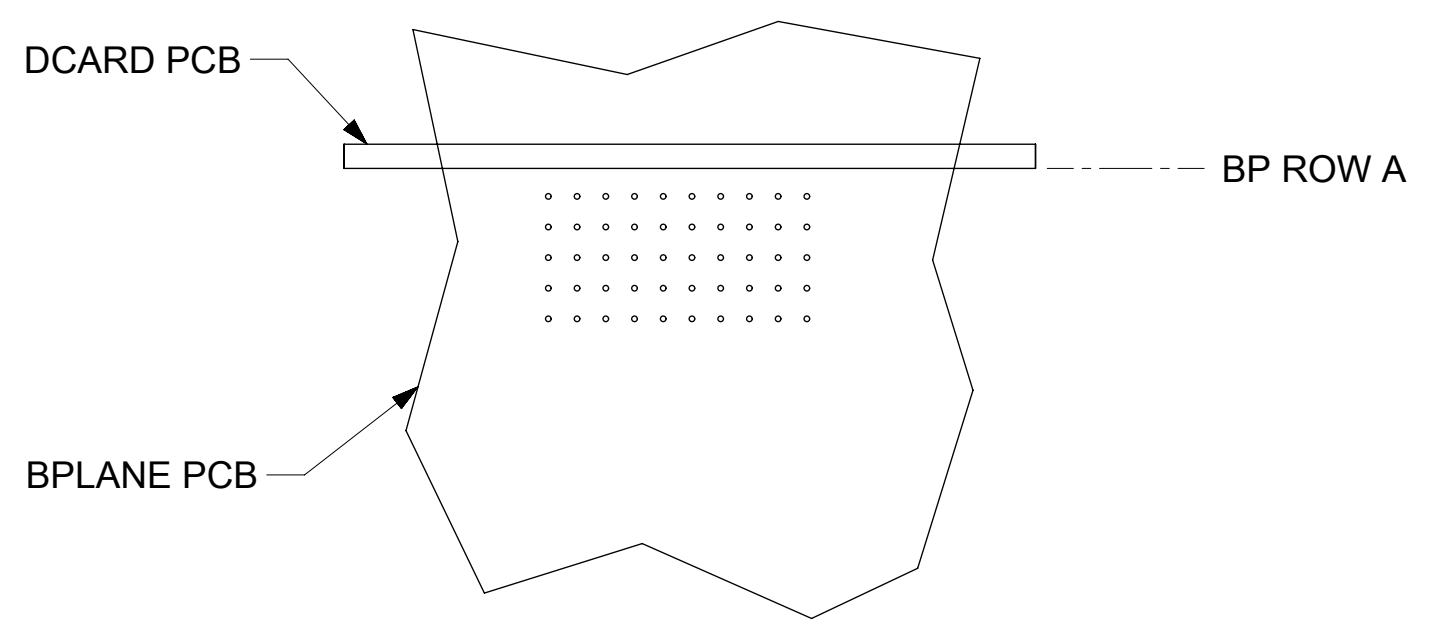
GUIDE RIGHT  
OPEN WALL  
OPTION

## PART NUMBER LOGIC



THIS DRAWING CONTAINS INFORMATION THAT IS PROPRIETARY TO MOLEX ELECTRONIC TECHNOLOGIES, LLC AND SHOULD NOT BE USED WITHOUT WRITTEN PERMISSION											
DRAWING CORRECTION EC NO: 175272 DRWN: HILGOH CHKD: JLTAN06 REV / APPR: DWLEED01	2018/04/19	2018/04/23	2018/05/09	GENERAL TOLERANCES (UNLESS SPECIFIED)		DIMENSION UNITS	SCALE	<b>molex</b>  IMPACT 2 PAIR HEADER RIGHT GUIDED ASSEMBLY SALES DRAWING			
	ANGULAR TOL ± 0.5 °		MM	4:1							
	4 PLACES ±	MSANDBERG		DATE	2008/03/12		PRODUCT CUSTOMER DRAWING				
	3 PLACES ±	CHKD BY		DATE	2008/03/12		SERIES	MATERIAL NUMBER	CUSTOMER		
	2 PLACES ± 0.13	JLAURX		DATE	2010/10/15		76455	SEE TABLE	GENERAL MARKET		
	1 PLACE ± 0.25	APPR BY		DATE	2010/10/15		DOCUMENT NUMBER		DOC TYPE	DOC PART	SHEET NUMBER
0 PLACES ±	JLAURX		DATE	2010/10/15		SD-76455-003		PSD	001	2 OF 3	
DRAFT WHERE APPLICABLE MUST REMAIN WITHIN DIMENSIONS				DRAWING SIZE		THIRD ANGLE PROJECTION					
G3				C							

# IMPACT 2 PAIR BOARD RELATIONSHIPS



THIS DRAWING CONTAINS INFORMATION THAT IS PROPRIETARY TO MOLEX ELECTRONIC TECHNOLOGIES, LLC AND SHOULD NOT BE USED WITHOUT WRITTEN PERMISSION											
DRAWING CORRECTION	EC NO: 175272	2018/04/19	GENERAL TOLERANCES (UNLESS SPECIFIED)		DIMENSION UNITS	SCALE					
	DRWN: HILGOH	2018/04/23	ANGULAR TOL ± 0.5 °		MM	2:1					
	CHKD: JLTAN06	2018/05/09	4 PLACES ±	DRWN BY	DATE	MSANDBERG 2008/03/12					
	REV / APPR: DWLE01		3 PLACES ±	CHKD BY	DATE	JLAURX 2008/03/12					
			2 PLACES ± 0.13	APPR BY	DATE	JLAURX 2010/10/15					
		1 PLACE ± 0.25	DRAFT WHERE APPLICABLE MUST REMAIN WITHIN DIMENSIONS		DRAWING SIZE	THIRD ANGLE PROJECTION	SERIES: 76455    MATERIAL NUMBER: SEE TABLE    CUSTOMER: GENERAL MARKET				
		0 PLACES ±			C		DOCUMENT NUMBER: SD-76455-003    DOC TYPE: PSD    DOC PART: 001    SHEET NUMBER: 3 OF 3				