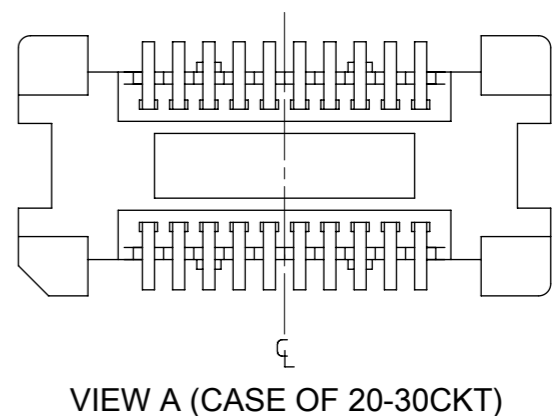


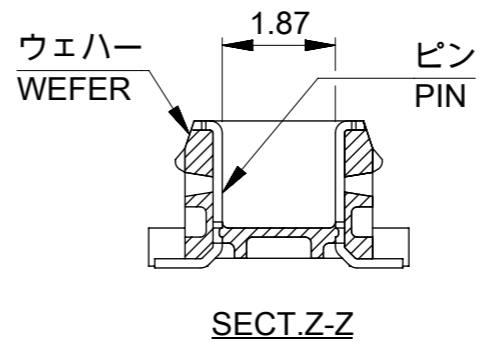
参考基板レイアウト (マウント面)
P.C. BOARD PATTERN
DIMENSION. (REF.)
(MOUNTING AREA)



23.8	20.24	19.5	53748-0808	80
21.3	17.74	17	53748-0708	70
18.8	15.24	14.5	53748-0608	60
16.3	12.74	12	53748-0508	50
13.8	10.24	9.5	53748-0408	40
11.3	7.74	7	53748-0308	30
8.8	5.24	4.5	53748-0208	20
C	B	A	EMBOSSED TAPE	極数
			ORDER NO.	CIRCUIT
CONNECTOR SERIES NO.			53748-***0	

注記 NOTES:
 1. 使用材料 MATERIAL
 ハウジング : LCPガラス入り (白), UL94V-0
 HOUSING : LCP(G.F.)(COLOR:WHITE), UL94V0
 ターミナル : 黄銅 (t=0.15)
 TERMINAL: BRASS (t=0.15)
 2. メッキ仕様 PLATING
 全体仕上げ : 金メッキ 0.1 MICROMETER MIN.
 ALL OVER : GOLD 0.1 MICROMETER MIN.
 下地メッキ : ニッケルメッキ 1.5 MICROMETER MIN.
 UNDER PLATING : NICKEL 1.5 MICROMETER MIN.
 3. 基準面 X からのソルダーテールの半田付け面のズレ量は、上方向 0 下方向 0.15MAX. とする。
 MISALIGNMENT OF SOLDER TAIL FROM X
 4. (全極数/2) = 偶数の場合に適用。
 APPLY FOR (CIRCUIT/2)=EVEN.
 5. 嵌合相手 : 52991シリーズ (嵌合高さ = 3mm)、54167シリーズ (嵌合高さ = 3mm)
 MATE WITH: 52991 SERIES (HEIGHT = 3mm), AND 54167 SERIES (HEIGHT = 3mm)

6. テール平坦度は、0.1MAX.
 TAIL COPLANARITY TO BE 0.1MAX.
 7. ELV及びRoHS適合品
 ELV AND RoHS COMPLIANT



SECT. Z-Z

THIS DRAWING CONTAINS INFORMATION THAT IS PROPRIETARY TO MOLEX ELECTRONIC TECHNOLOGIES, LLC AND SHOULD NOT BE USED WITHOUT WRITTEN PERMISSION

DIMENSION UNITS: mm SCALE: 8:1

GENERAL TOLERANCES (UNLESS SPECIFIED):
 ANGULAR TOL ± 30°
 4 PLACES ± 0.2
 3 PLACES ± 0.25
 2 PLACES ± 0.3
 1 PLACE ±
 0 PLACES ±

GENERAL TOLERANCES (UNLESS SPECIFIED):
 10^{UNDER} ±0.2
 10^{OVER}30^{UNDER} ±0.25
 30^{OVER} ±0.3

ANGULAR ±3°
 DRAFT WHERE APPLICABLE MUST REMAIN WITHIN DIMENSIONS

THIRD ANGLE PROJECTION

DRAWING: A3-SIZE SERIES: 53748

EC NO: 739518
 DRWN: TNAKAGAWA01 2023/02/21
 CHK'D: SMARUYAMA 2023/06/02
 APPR: YNAITO 2023/06/02

INITIAL REVISION:
 DRWN: NAKAMURAA 2008/12/08
 APPR: NUKITA 2009/01/09

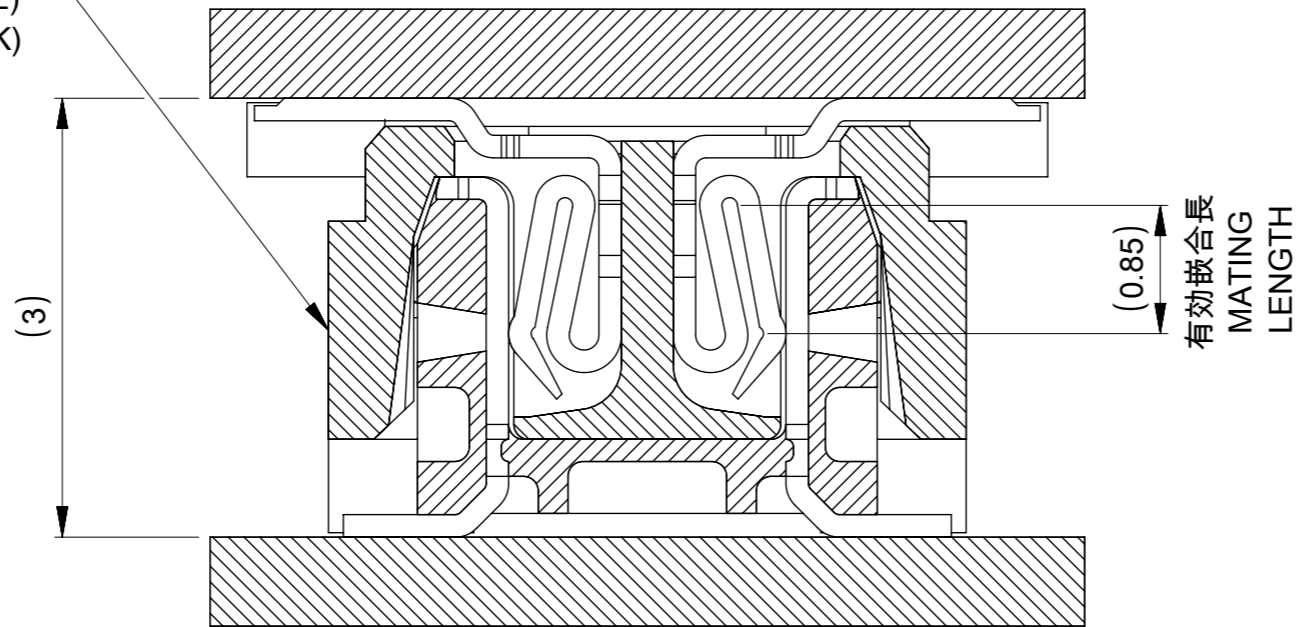
DOCUMENT NUMBER: SD-53748-002
 DOC TYPE: PSD DOC PART: 001 REVISION: F

MATERIAL NUMBER: SEE TABLE CUSTOMER: GENERAL SHEET NUMBER: 1 OF 2

molex
 0.5 MM PITCH B-TO-B CONN.
 HEIGHT = 3 PLUG

PRODUCT CUSTOMER DRAWING

嵌合相手 MATE WITH
 52991-***8 (白 WHITE)
 52991-***2 (白 WHITE)
 54167-***8 (黒 BLACK)



嵌合断面図 (参考)
 MATED DRAWING (REF.)

THIS DRAWING CONTAINS INFORMATION THAT IS PROPRIETARY TO MOLEX ELECTRONIC TECHNOLOGIES, LLC AND SHOULD NOT BE USED WITHOUT WRITTEN PERMISSION

DIMENSION UNITS SCALE
 mm 20:1

GENERAL TOLERANCES (UNLESS SPECIFIED)

ANGULAR TOL	±	30°
4 PLACES	±	0.2
3 PLACES	±	0.25
2 PLACES	±	0.3
1 PLACE	±	
0 PLACES	±	

GENERAL TOLERANCES (UNLESS SPECIFIED)	
10 ^{UNDER}	±0.2
10 ^{OVER} 30 ^{UNDER}	±0.25
30 ^{OVER}	±0.3
ANGULAR ±3°	

DRAFT WHERE APPLICABLE MUST REMAIN WITHIN DIMENSIONS

DRAFT WHERE APPLICABLE MUST REMAIN WITHIN DIMENSIONS

CURRENT REV DESC:
 EC NO: 739518
 DRWN: TNAKAGAWA01 2023/02/21
 CHK'D: SMARUYAMA 2023/06/02
 APPR: YNAITO 2023/06/02
 INITIAL REVISION:
 DRWN: NAKAMURAA 2008/12/08
 APPR: NUKITA 2009/01/09

molex

0.5 MM PITCH B-TO-B CONN.
 HEIGHT = 3 PLUG

PRODUCT CUSTOMER DRAWING

DOCUMENT NUMBER	DOC TYPE	DOC PART	REVISION
SD-53748-002	PSD	001	F

THIRD ANGLE PROJECTION

DRAWING A3-SIZE

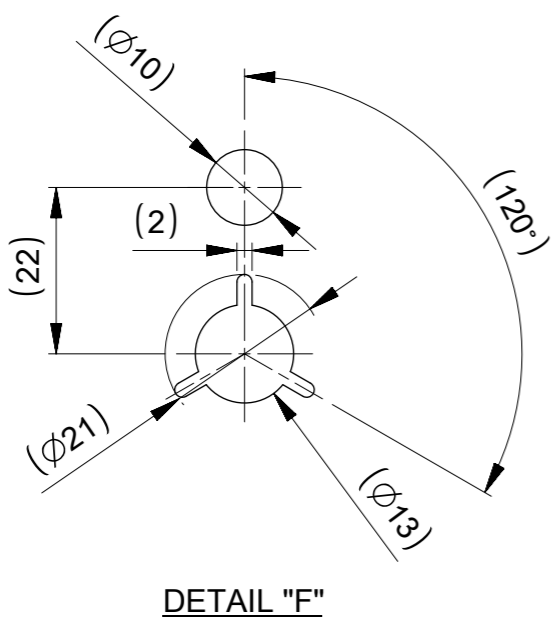
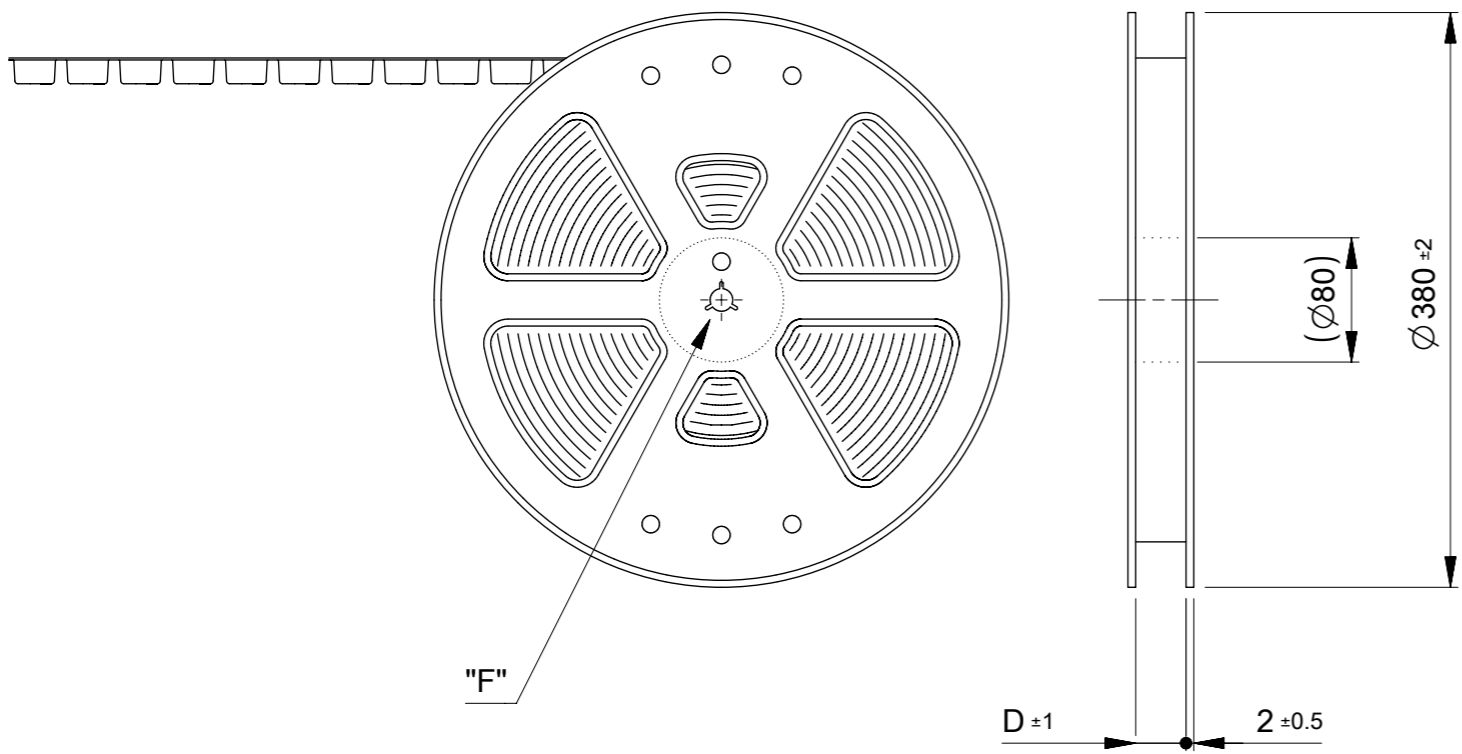
SERIES 53748

MATERIAL NUMBER SEE SHEET 1

CUSTOMER GENERAL

SHEET NUMBER 2 OF 2

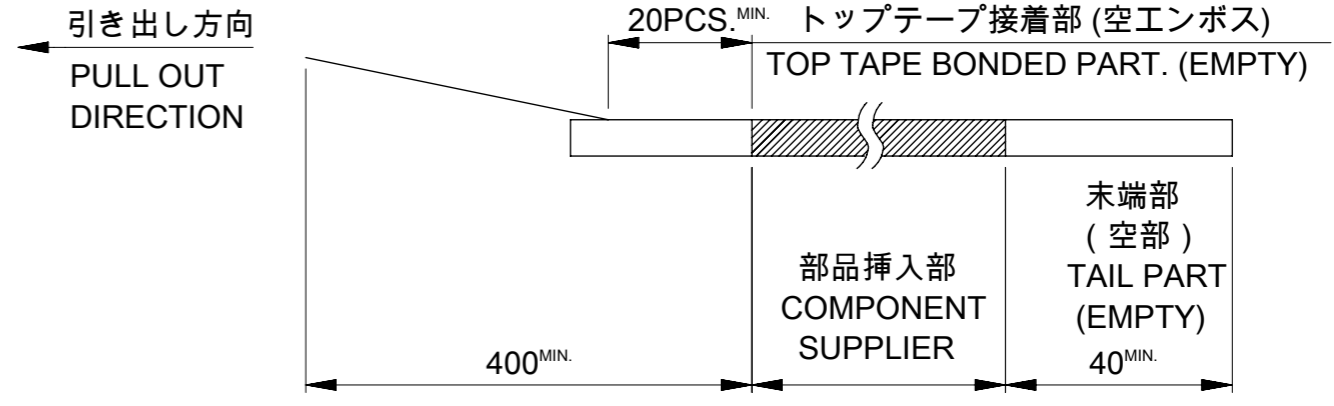
引き出し方向
PULL OUT
DIRECTION



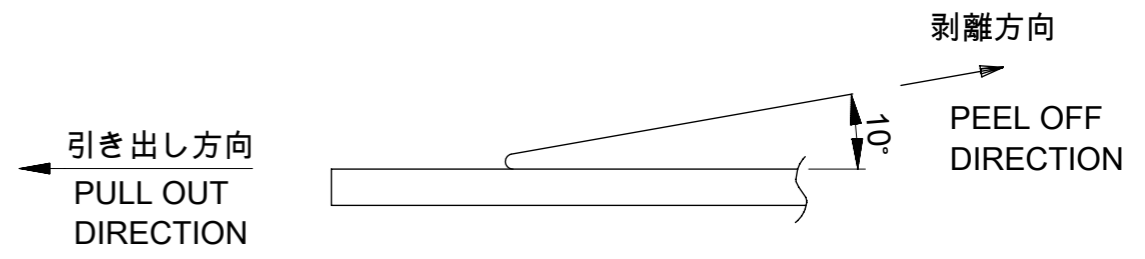
DETAIL "F"

NOTES

- 製品詳細寸法については図面 SD-53748-002を参照下さい。
DETAIL DIMENSION, SEE SD-53748-002
- 梱包数量 : 3000個 / リール
NUMBER OF CONNECTORS : 3000PCS/REEL
- リードテープ長さ LEAD TAPE LENGTH



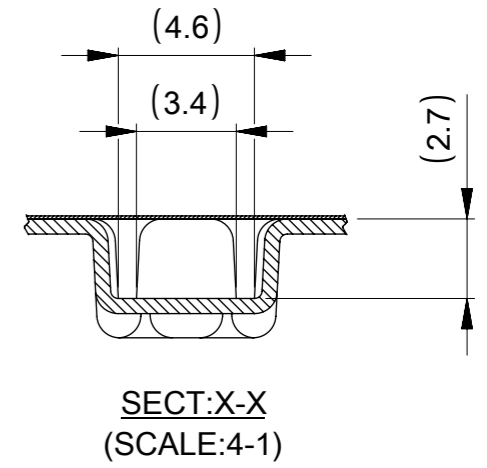
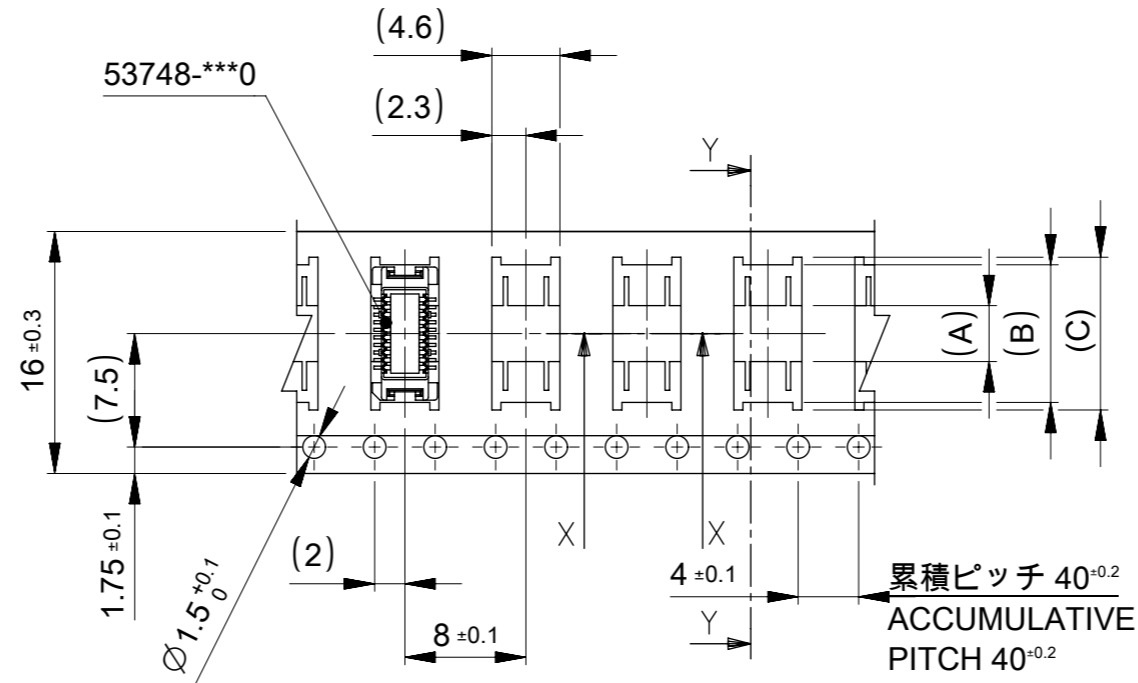
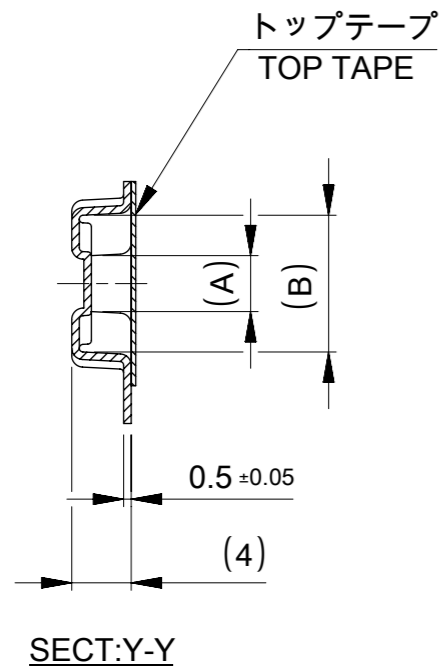
- トップテープの剥離強度 : 0.1N ~ 0.7N(10.2gf ~ 71.4gf)
(剥離方向は下図参照)
尚、本規格値は出荷時に適用。(但し、輸送時に剥離が発生しないこと。)
PEELING OFF FORCE OF TOP TAPE: 0.1N ~ 0.7N(10.2gf ~ 71.4gf)
(PEELING DIRECTION AS SHOWN IN FOLLOWING FIG.)
THIS REQUIREMENT SHOULD BE APPLIED AT SHIPMENT.
PEEL OFF SHOULD NOT BE ALLOWED, DURING TRANSPORTATION.



- 材料 (MATERIAL)
キャリアテープ (CARRIER TAPE) : ポリプロピレン (POLYPROPYLENE)
トップテープ (TOPTAPE) : PET , PE , PEF
リール(REEL) : ポリスチレン (PS) <リサイクル材を含む>
POLYSTYREN(PS) <RECYCLE MATERIAL CONTANED>

THIS DRAWING CONTAINS INFORMATION THAT IS PROPRIETARY TO MOLEX ELECTRONIC TECHNOLOGIES, LLC AND SHOULD NOT BE USED WITHOUT WRITTEN PERMISSION		CURRENT REV DESC:		molex	
DIMENSION UNITS	SCALE				
mm	NTS			0.5 MM PITCH B-TO-B CONN. HEIGHT = 3 PLUG EMBOSS TAPE PACKAGE	
GENERAL TOLERANCES (UNLESS SPECIFIED)		GENERAL TOLERANCES (UNLESS SPECIFIED)		PRODUCT CUSTOMER DRAWING	
ANGULAR TOL ± 30°		ANGULAR TOL ± 30°		DOCUMENT NUMBER	
4 PLACES ± 0.2		4 PLACES ± 0.2		SD-53748-005	
3 PLACES ± 0.25		3 PLACES ± 0.25		DOC TYPE	
2 PLACES ± 0.3		2 PLACES ± 0.3		PSD	
1 PLACE ±		1 PLACE ±		DOC PART	
0 PLACES ±		0 PLACES ±		001	
ANGULAR+3°		ANGULAR+3°		REVISION	
DRAFT WHERE APPLICABLE MUST REMAIN WITHIN DIMENSIONS		DRAFT WHERE APPLICABLE MUST REMAIN WITHIN DIMENSIONS		F	
THIRD ANGLE PROJECTION		DRAWING		SHEET NUMBER	
A3-SIZE		SERIES		1 OF 5	
53748		MATERIAL NUMBER		CUSTOMER	
SEE SHEET 2-5		GENERAL			

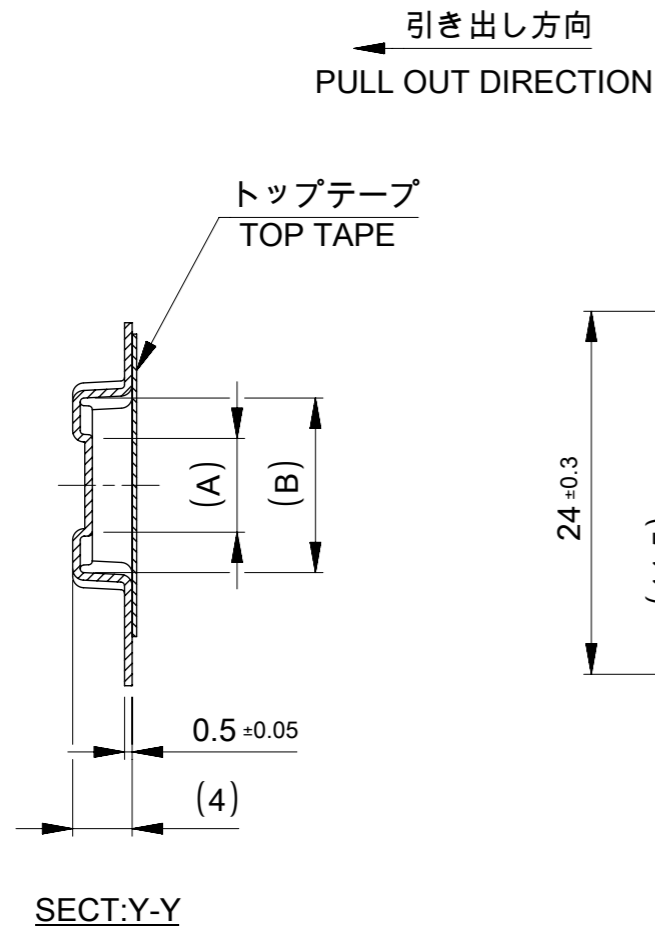
引き出し方向
PULL OUT DIRECTION



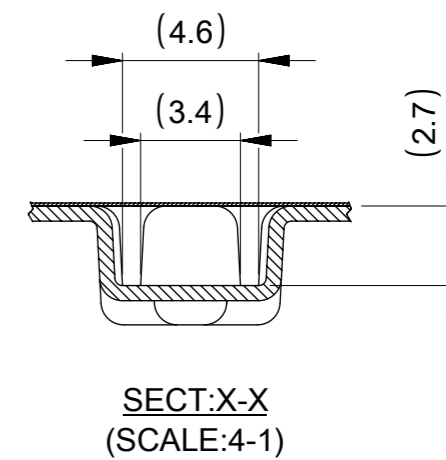
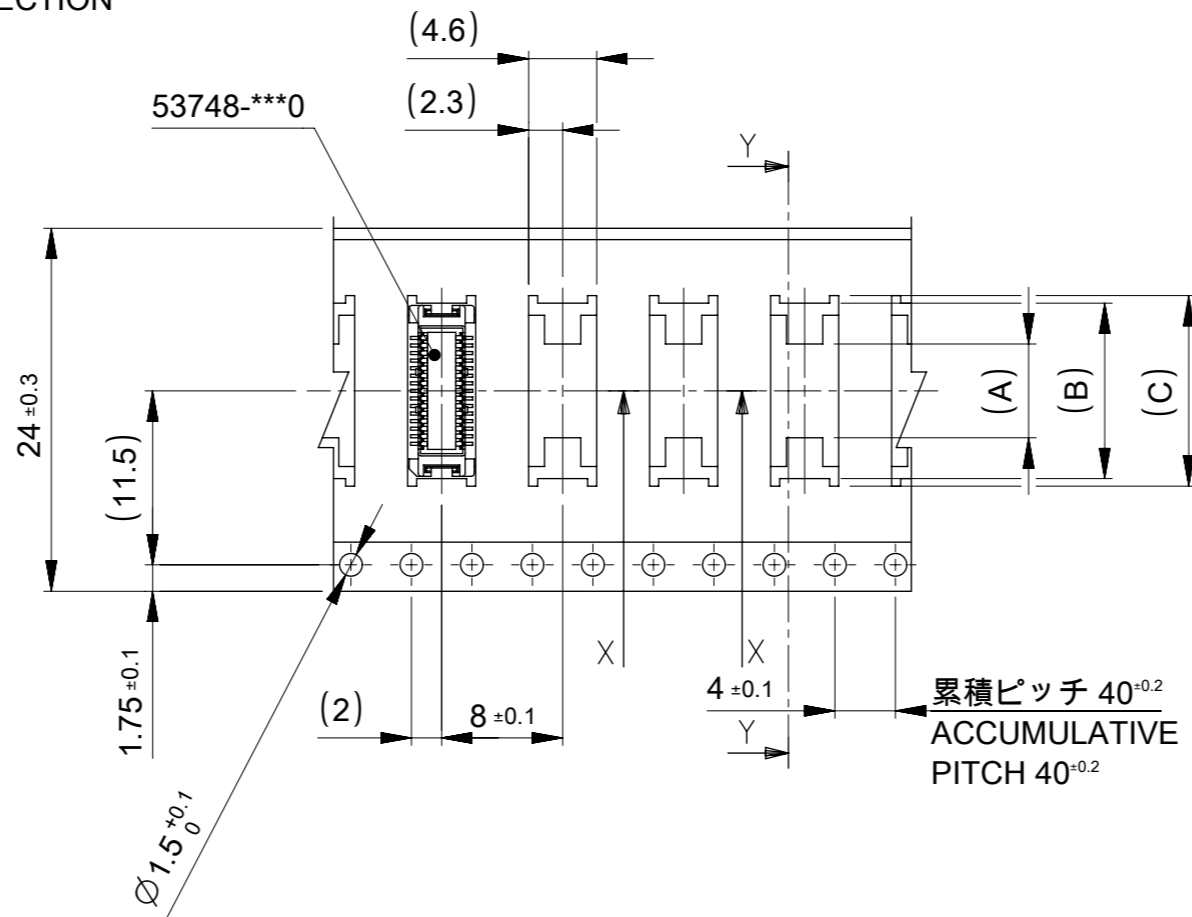
16mm 幅キャリアテープ
16mm WIDTH CARRIER TAPE

16	17.5	10.1	9.1	3.7	53748-0208	20
キャリアテープ幅 CARRIER TAPE WIDTH		D	(C)	(B)	(A)	MATERIAL NO. 極数 CKT.

THIS DRAWING CONTAINS INFORMATION THAT IS PROPRIETARY TO MOLEX ELECTRONIC TECHNOLOGIES, LLC AND SHOULD NOT BE USED WITHOUT WRITTEN PERMISSION		CURRENT REV DESC:		molex			
DIMENSION UNITS	SCALE	EC NO: 739518					
mm	NTS	DRWN: TNAKAGAWA01		2023/02/21		PRODUCT CUSTOMER DRAWING	
GENERAL TOLERANCES (UNLESS SPECIFIED)		CHK'D: SMARUYAMA		2023/06/02			
ANGULAR TOL ± 30°		APPR: YNAITO		2023/06/02		DOCUMENT NUMBER	
4 PLACES ± 0.2		INITIAL REVISION:		2008/12/08		SD-53748-005	
3 PLACES ± 0.25		DRWN: NAKAMURAA		2009/01/09		DOC TYPE	
2 PLACES ± 0.3		APPR: NUKITA				PSD	
1 PLACE ±		THIRD ANGLE PROJECTION		DRAWING		DOC PART	
0 PLACES ±		DRAWING		SERIES		001	
DRAFT WHERE APPLICABLE MUST REMAIN WITHIN DIMENSIONS		DRAWING		SERIES		REVISION	
		A3-SIZE		53748		F	
		MATERIAL NUMBER		CUSTOMER		SHEET NUMBER	
		SEE TABLE		GENERAL		2 OF 5	



引き出し方向
PULL OUT DIRECTION

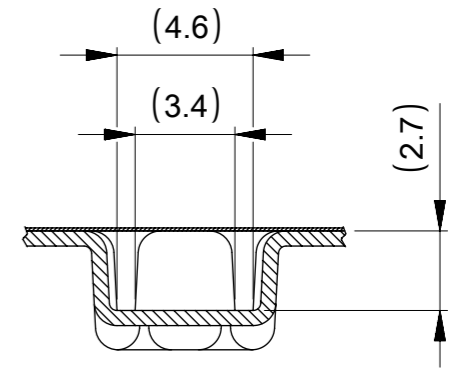
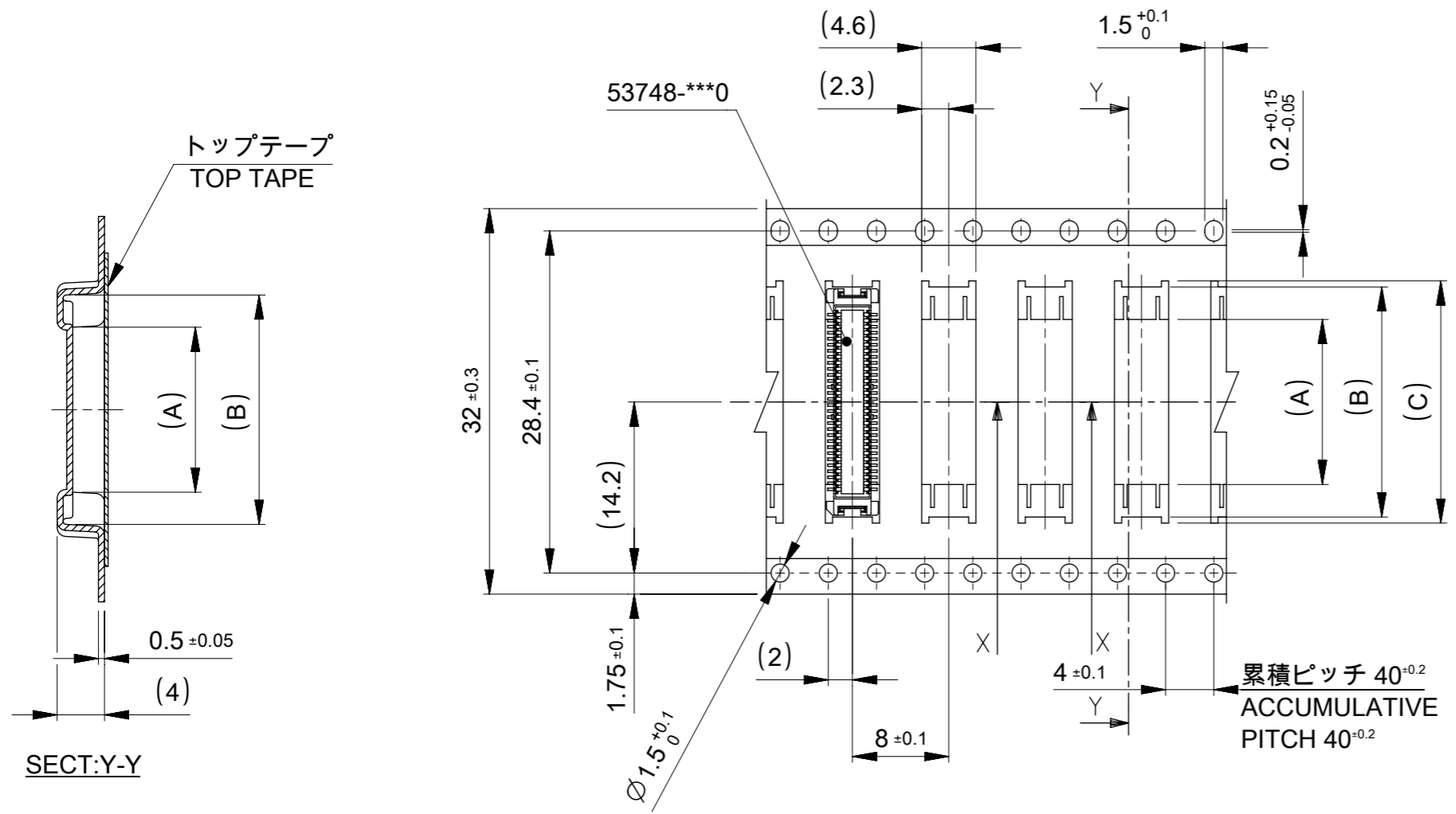


24mm 幅キャリアテープ
24mm WIDTH CARRIER TAPE

24	25.5	15.1	14.1	7.4	53748-0408	40
		12.6	11.6	4.9	53748-0308	30
キャリアテープ幅 CARRIER TAPE WIDTH		D	(C)	(B)	(A)	MATERIAL NO. 極数 CKT.

THIS DRAWING CONTAINS INFORMATION THAT IS PROPRIETARY TO MOLEX ELECTRONIC TECHNOLOGIES, LLC AND SHOULD NOT BE USED WITHOUT WRITTEN PERMISSION		CURRENT REV DESC:		molex		
DIMENSION UNITS	SCALE	EC NO: 739518				
mm	NTS	DRWN: TNAKAGAWA01		PRODUCT CUSTOMER DRAWING		
GENERAL TOLERANCES (UNLESS SPECIFIED)		CHK'D: SMARUYAMA		DOCUMENT NUMBER		
ANGULAR TOL ± 30°		APPR: YNAITO		SD-53748-005		
4 PLACES ± 0.2		INITIAL REVISION:		DOC TYPE		
3 PLACES ± 0.25		DRWN: NAKAMURAA		PSD		
2 PLACES ± 0.3		APPR: NUKITA		DOC PART		
1 PLACE ±		2008/12/08		001		
0 PLACES ±		2009/01/09		F		
DRAFT WHERE APPLICABLE MUST REMAIN WITHIN DIMENSIONS		THIRD ANGLE PROJECTION	DRAWING	SERIES	MATERIAL NUMBER	CUSTOMER
			A3-SIZE	53748	SEE TABLE	GENERAL
						SHEET NUMBER
						3 OF 5

引き出し方向
PULL OUT DIRECTION



SECT:X-X
(SCALE:4-1)

SECT:Y-Y

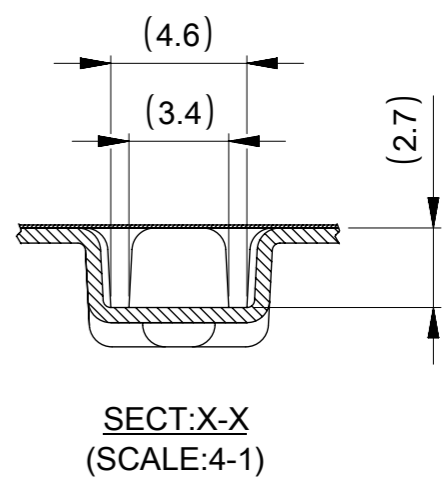
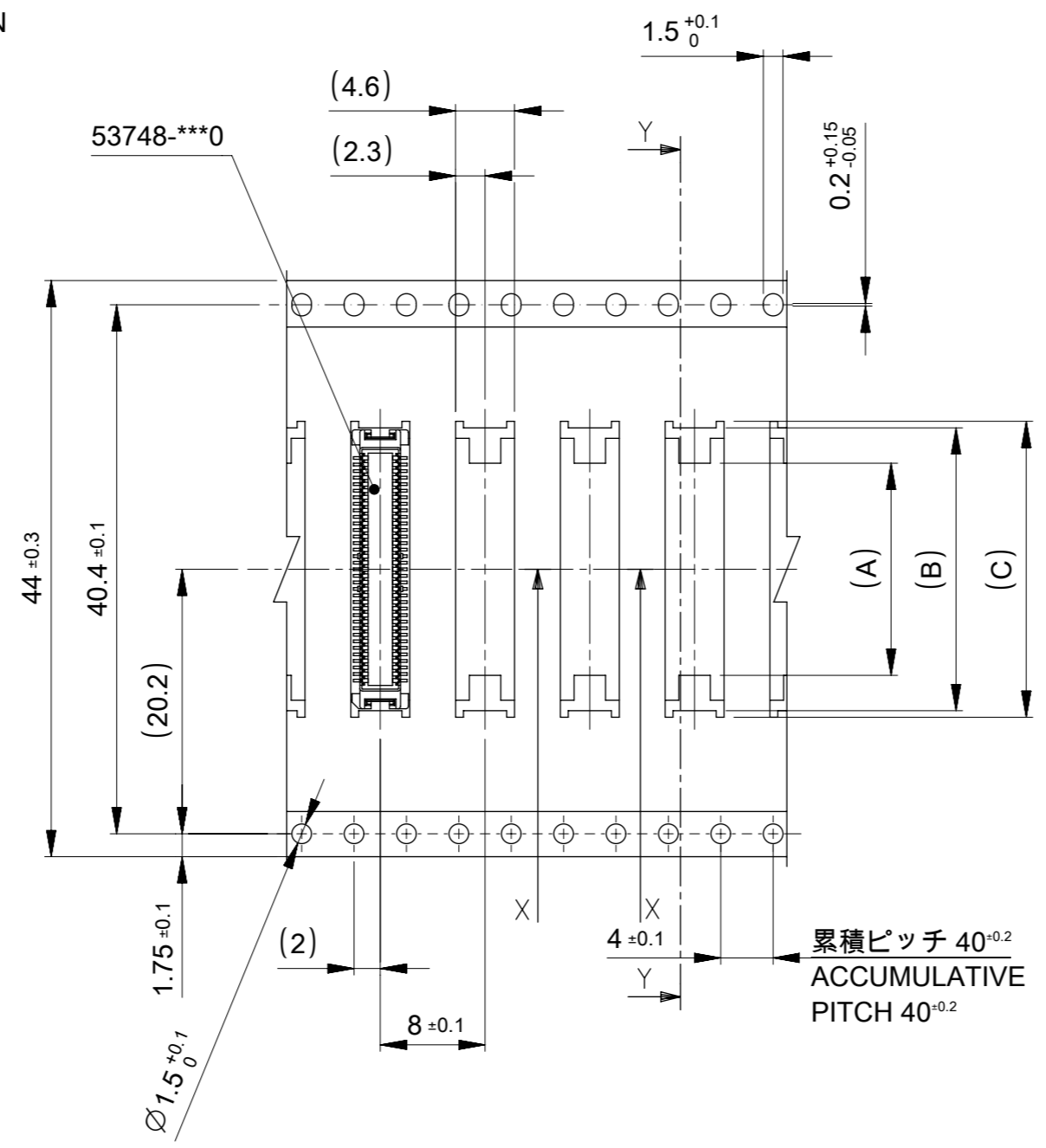
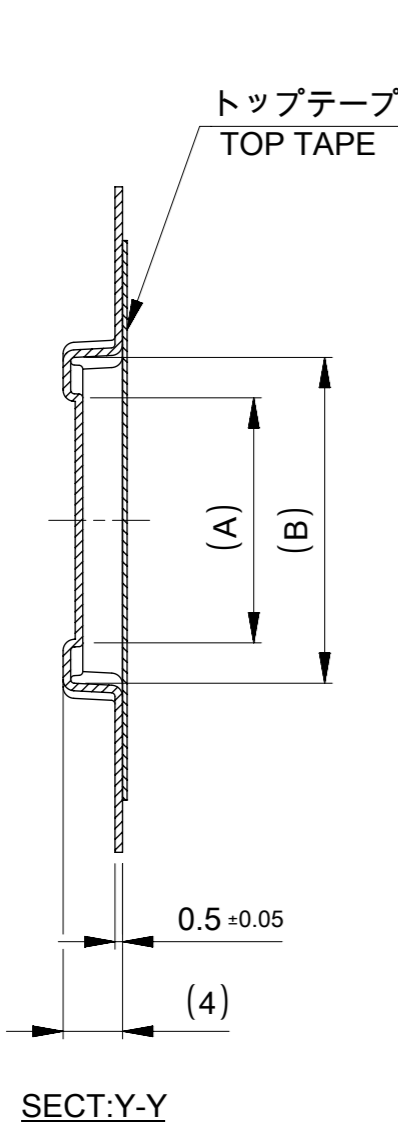
32mm 幅キャリアテープ
32mm WIDTH CARRIER TAPE

32	33.5	20.1	19.1	13.7	53748-0608	60
		17.6	16.6	11.2	53748-0508	50
キャリアテープ幅 CARRIER TAPE WIDTH	D	(C)	(B)	(A)	MATERIAL NO.	極数 CKT.

THIS DRAWING CONTAINS INFORMATION THAT IS PROPRIETARY TO MOLEX ELECTRONIC TECHNOLOGIES, LLC AND SHOULD NOT BE USED WITHOUT WRITTEN PERMISSION

DIMENSION UNITS	SCALE	CURRENT REV DESC:	
mm	NTS		
GENERAL TOLERANCES (UNLESS SPECIFIED)		molex	
ANGULAR TOL ± 30°		0.5 MM PITCH B-TO-B CONN. HEIGHT = 3 PLUG EMBOSS TAPE PACKAGE	
GENERAL TOLERANCES (UNLESS SPECIFIED)	4 PLACES ± 0.2	EC NO: 739518	2023/02/21
10 ^{UNDER} ± 0.2	3 PLACES ± 0.25	DRWN: TNAKAGAWA01	2023/06/02
10 ^{OVER} 30 ^{UNDER} ± 0.25	2 PLACES ± 0.3	CHK'D: SMARUYAMA	2023/06/02
30 ^{OVER} ± 0.3	1 PLACE ±	APPR: YNAITO	2023/06/02
ANGULAR ± 3°	0 PLACES ±	INITIAL REVISION:	
DRAFT WHERE APPLICABLE MUST REMAIN WITHIN DIMENSIONS	DRAFT WHERE APPLICABLE MUST REMAIN WITHIN DIMENSIONS	DRWN: NAKAMURAA	2008/12/08
		APPR: NUKITA	2009/01/09
THIRD ANGLE PROJECTION	DRAWING	SERIES	DOCUMENT NUMBER
	A3-SIZE	53748	SD-53748-005
		MATERIAL NUMBER	CUSTOMER
		SEE TABLE	GENERAL
		DOC TYPE	DOC PART
		PSD	001
		REVISION	F
		SHEET NUMBER	4 OF 5

引き出し方向
PULL OUT DIRECTION



44mm 幅キャリアテープ
44mm WIDTH CARRIER TAPE

44	45.5	25.1	24.1	18.7	53748-0808	80
		22.6	21.6	16.2	53748-0708	70
キャリアテープ幅 CARRIER TAPE WIDTH		D	(C)	(B)	(A)	MATERIAL NO. 極数 CKT.

THIS DRAWING CONTAINS INFORMATION THAT IS PROPRIETARY TO MOLEX ELECTRONIC TECHNOLOGIES, LLC AND SHOULD NOT BE USED WITHOUT WRITTEN PERMISSION

DIMENSION UNITS mm	SCALE NTS	CURRENT REV DESC:		molex		
GENERAL TOLERANCES (UNLESS SPECIFIED)		EC NO: 739518 DRWN: TNAKAGAWA01 CHK'D: SMARUYAMA APPR: YNAITO				
ANGULAR TOL ± 30°		INITIAL REVISION:		PRODUCT CUSTOMER DRAWING		
4 PLACES ± 0.2		DRWN: NAKAMURAA APPR: NUKITA		DOCUMENT NUMBER SD-53748-005		
3 PLACES ± 0.25		2008/12/08		DOC TYPE PSD		
2 PLACES ± 0.3		2009/01/09		DOC PART 001		
1 PLACE ±		SERIES 53748		REVISION F		
0 PLACES ±		MATERIAL NUMBER SEE TABLE		CUSTOMER GENERAL		
DRAFT WHERE APPLICABLE MUST REMAIN WITHIN DIMENSIONS		THIRD ANGLE PROJECTION		SHEET NUMBER 5 OF 5		