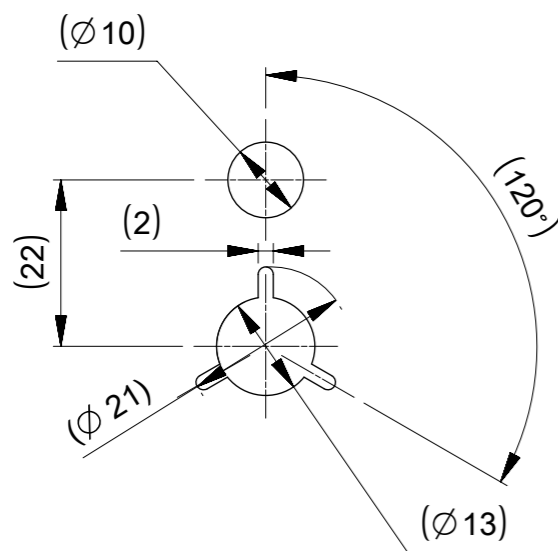
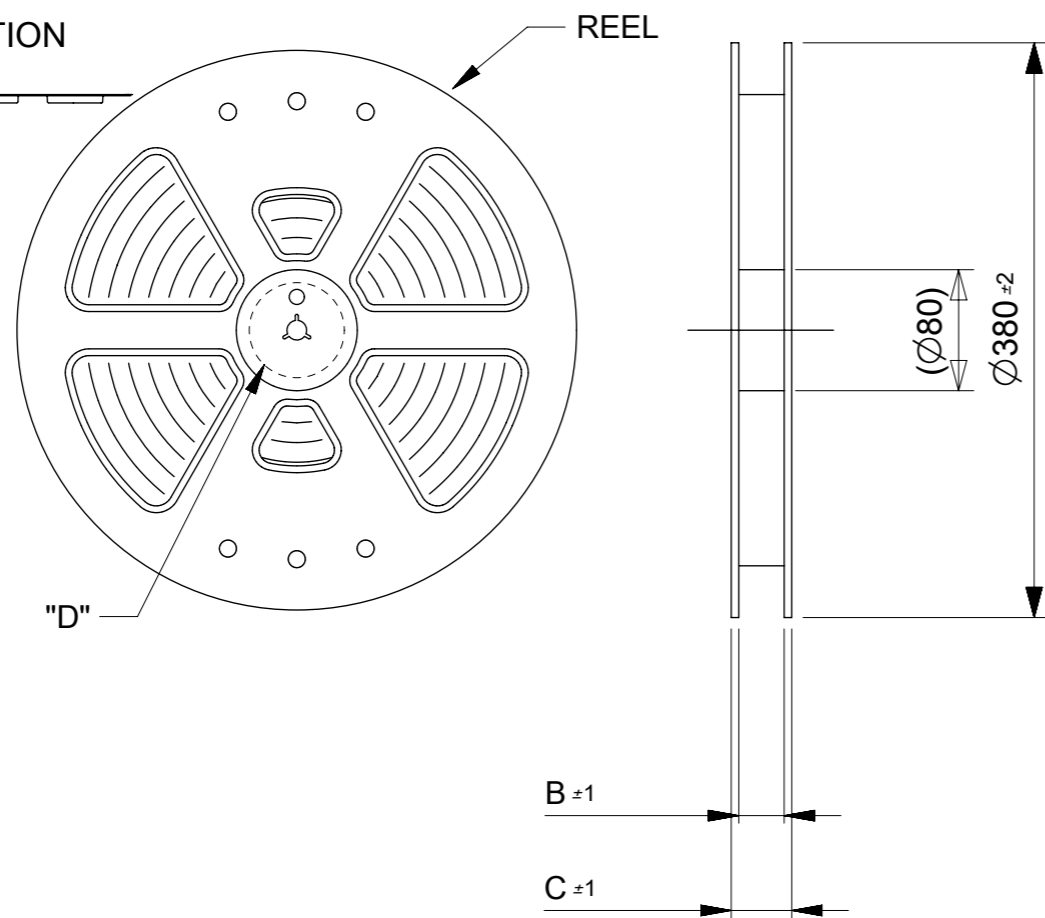


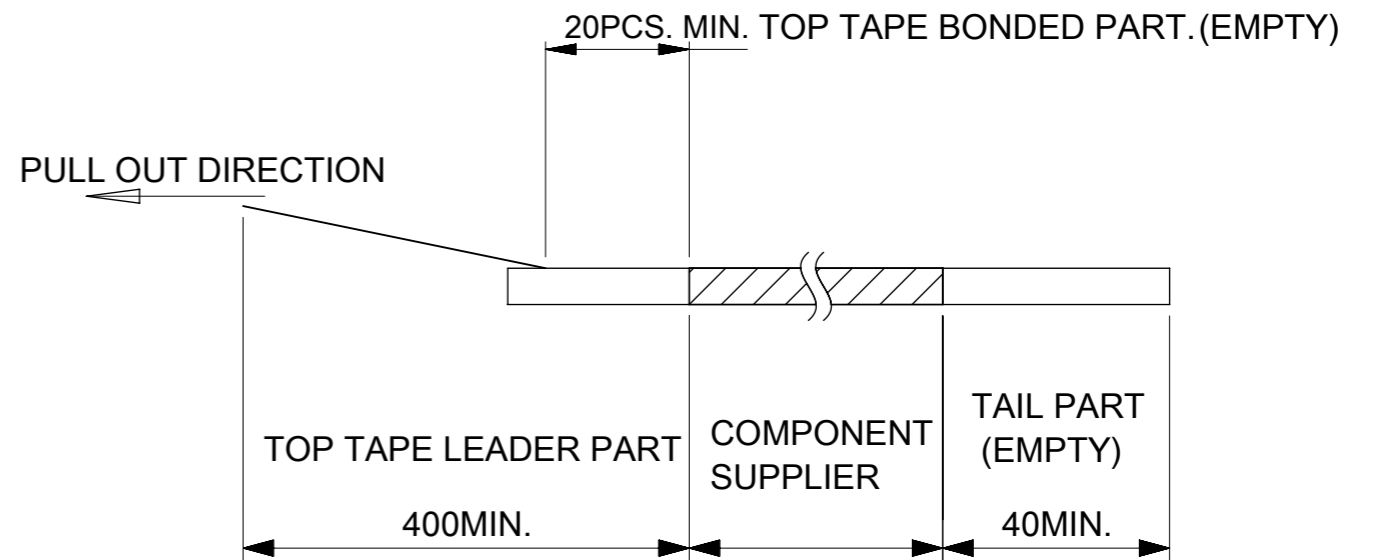
PULL OUT DIRECTION



DETAIL "D"

NOTES

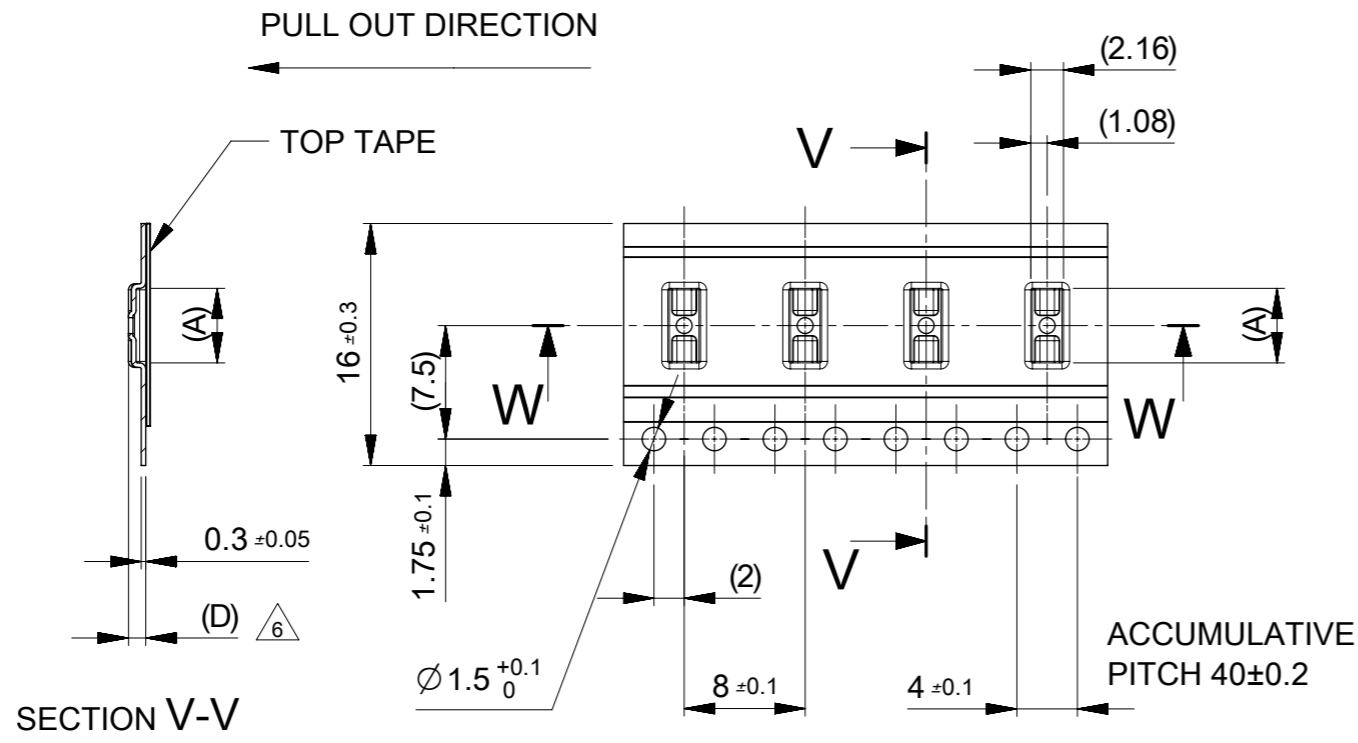
- RE DETAILED DIMENSION, SEE PRODUCT DRAWING.
- NUMBER OF CONNECTORS : 8000 PCS/REEL.
- LEAD TAPE LENGTH.



- TOP TAPE PEEL FORCE IS DEFINED BY IEC60286-3
- MATERIAL
CARRER TAPE :POLYSTYRENE
TOP TAPE :PET , OTHER
REEL :POLYSTYRENE(PS)(RECYCLE MATERIAL CONTAINED)
- △ Only 6 circuit is different in this dimension.

MODEL NO. 505070-**22

THIS DRAWING CONTAINS INFORMATION THAT IS PROPRIETARY TO MOLEX ELECTRONIC TECHNOLOGIES, LLC AND SHOULD NOT BE USED WITHOUT WRITTEN PERMISSION		CURRENT REV DESC: RELEASED		molex	
DIMENSION UNITS	SCALE				
mm	1:5			PRODUCT CUSTOMER DRAWING	
GENERAL TOLERANCES (UNLESS SPECIFIED)		EC NO: 612826		DOCUMENT NUMBER	
ANGULAR TOL	± 1.0°	DRWN: GSHARMA 2019/02/22		5050700000	
4 PLACES	± 0.01	CHK'D: MSASAO 2019/02/27		DOC TYPE	DOC PART
3 PLACES	± 0.03	APPR: MSASAO 2019/02/27		PSD	007
2 PLACES	± 0.05	INITIAL REVISION:		REVISION	B
1 PLACE	± 0.1	DRWN: TNISHIDA02 2017/03/28			
0 PLACES	± 0.2	APPR: TKUSUHARA01 2017/04/03			
DRAFT WHERE APPLICABLE MUST REMAIN WITHIN DIMENSIONS		THIRD ANGLE PROJECTION	DRAWING	SERIES	MATERIAL NUMBER
			A3-SIZE	505070	SEE CHART
				CUSTOMER	SHEET NUMBER
				GENERAL	1 OF 3

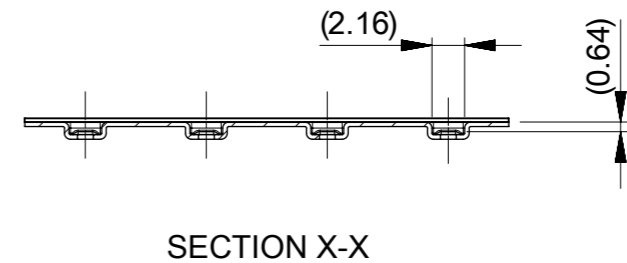
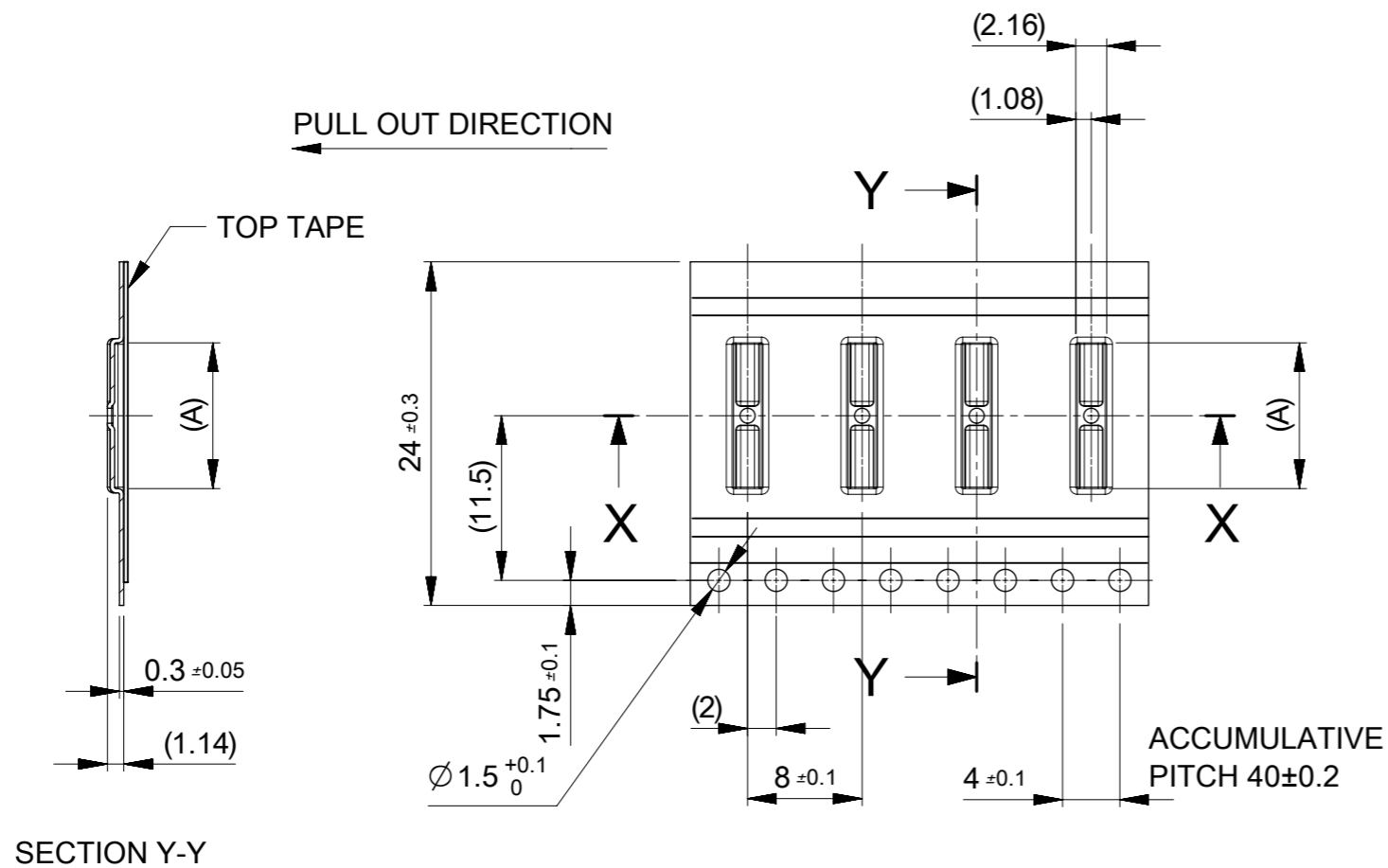


16	0.64	1.14	21.4	17.4	6.68	505070-3022	○	---	30				
					5.63	505070-2422	○	---	24				
					5.28	505070-2222	○	---	22				
					4.93	505070-2022	○	---	20				
					4.58	505070-1822	---	---	18				
					4.23	505070-1622	○	---	16				
					3.88	505070-1422	○	---	14				
					3.53	505070-1222	○	---	12				
					3.18	505070-1022	○	---	10				
					2.78	505070-0822	○	---	8				
					2.43	505070-0622	○	---	6				
キャリアテープ幅 CARRIER TAPE WIDTH					(E)	(D)	C	B	(A)	MATERIAL No.	HIGH VOL. TOOL	LOW VOL. TOOL	CIRCUIT
											SAMPLE PREPARATION		

THIS DRAWING CONTAINS INFORMATION THAT IS PROPRIETARY TO MOLEX ELECTRONIC TECHNOLOGIES, LLC AND SHOULD NOT BE USED WITHOUT WRITTEN PERMISSION

DIMENSION UNITS mm	SCALE 2:1	CURRENT REV DESC: RELEASED					
GENERAL TOLERANCES (UNLESS SPECIFIED)		<p>molex</p> <p>0.35 BB CONN. H=0.6 SSB6 RP PLUG ASSY</p> <p>PRODUCT CUSTOMER DRAWING</p>					
ANGULAR TOL	± 1.0°						
4 PLACES	± 0.01						
3 PLACES	± 0.03						
2 PLACES	± 0.05						
1 PLACE	± 0.1						
0 PLACES	± 0.2	<p>EC NO: 612826</p> <p>DRWN: GSHARMA 2019/02/22</p> <p>CHK'D: MSASAO 2019/02/27</p> <p>APPR: MSASAO 2019/02/27</p> <p>INITIAL REVISION:</p> <p>DRWN: TNISHIDA02 2017/03/28</p> <p>APPR: TKUSUHARA01 2017/04/03</p>					
DRAFT WHERE APPLICABLE MUST REMAIN WITHIN DIMENSIONS		THIRD ANGLE PROJECTION	DRAWING	SERIES	MATERIAL NUMBER	CUSTOMER	SHEET NUMBER
			A3-SIZE	505070	SEE CHART	GENERAL	2 OF 3

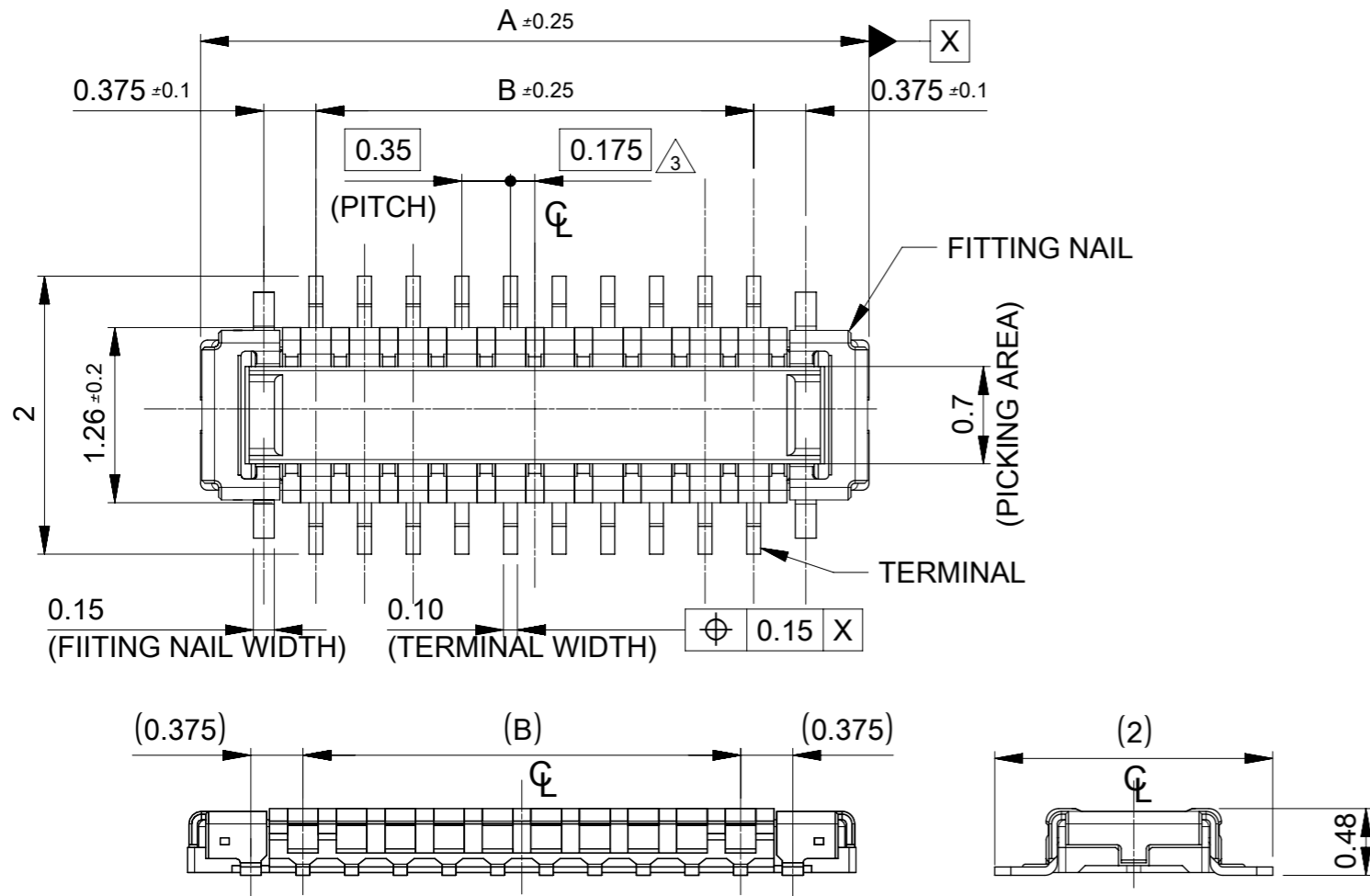
DOCUMENT NUMBER: 5050700000 | DOC TYPE: PSD | DOC PART: 007 | REVISION: B



24	29.4	25.4	12.63	505070-6422	---	---	64
			11.93	505070-6022	---	---	60
			10.88	505070-5422	○	---	54
			10.18	505070-5022	○	---	50
			9.83	505070-4822	○	---	48
			9.48	505070-4622	---	---	46
			8.78	505070-4222	○	---	42
			8.43	505070-4022	○	---	40
			7.38	505070-3422	○	---	34
キャリアテープ幅 CARRIER TAPE WIDTH	C	B	(A)	MATERIAL No.	HIGH VOL TOOL	LOW VOL TOOL	CIRCUIT
					SAMPLE PREPARATION		

THIS DRAWING CONTAINS INFORMATION THAT IS PROPRIETARY TO MOLEX ELECTRONIC TECHNOLOGIES, LLC AND SHOULD NOT BE USED WITHOUT WRITTEN PERMISSION

DIMENSION UNITS mm	SCALE 2:1	CURRENT REV DESC: RELEASED							
GENERAL TOLERANCES (UNLESS SPECIFIED)		<p>molex</p> <p>0.35 BB CONN. H=0.6 SSB6 RP PLUG ASSY</p> <p>PRODUCT CUSTOMER DRAWING</p>							
ANGULAR TOL	± 1.0 °								
4 PLACES	± 0.01								
3 PLACES	± 0.03								
2 PLACES	± 0.05								
1 PLACE	± 0.1								
0 PLACES	± 0.2	<p>EC NO: 612826</p> <p>DRWN: GSHARMA 2019/02/22</p> <p>CHK'D: MSASAO 2019/02/27</p> <p>APPR: MSASAO 2019/02/27</p>							
DRAFT WHERE APPLICABLE MUST REMAIN WITHIN DIMENSIONS		<p>INITIAL REVISION:</p> <p>DRWN: TNISHIDA02 2017/03/28</p> <p>APPR: TKUSUHARA01 2017/04/03</p>							
THIRD ANGLE PROJECTION		DRAWING	SERIES	MATERIAL NUMBER	CUSTOMER	DOCUMENT NUMBER	DOC TYPE	DOC PART	REVISION
		A3-SIZE	505070	SEE CHART	GENERAL	5050700000	PSD	007	B
									SHEET NUMBER
									3 OF 3



- 1 MATERIAL
 WAFER: LIQUID CRYSTAL POLYMER UL94V-0 (COLOR: BLACK)
 TERMINAL: COPPER ALLOY
 FITTING NAIL: COPPER ALLOY
- 2 PLATING
 TERMINAL:
 CONTACT AREA: SEPARATED GOLD PLATING (0.1 MICROMETER MINIMUM).
 SOLDER TAIL AREA: SEPARATED GOLD PLATING.
 UNDERPLATE: NICKEL OVERALL.
 *DIVIDE INTO PARTS THE GOLD PLATING OF THE CONTACT AND THE TAIL PART BY THE NICKEL PLATING.
- FITTING NAIL:
 CONTACT AREA: SEPARATED GOLD PLATING (0.1 MICROMETER MINIMUM).
 SOLDER TAIL AREA: SEPARATED GOLD PLATING.
 UNDERPLATE: NICKEL OVERALL.
 *DIVIDE INTO PARTS THE GOLD PLATING OF THE CONTACT AND THE TAIL PART BY THE NICKEL PLATING.
 *EVEN THOUGH GOLD PLATING ON THE TOP SURFACE OF NAIL MIGHT BE THIN, NO FUNCTIONAL PROBLEM.

- △₃ APPLY FOR (CIRCUIT/2)=EVEN.
 4 MATE WITH :505066-**22 (H=0.6) , 505270**12 (H=0.7)
 5 TAIL AND FITTING NAIL COPLANARITY TO BE 0.08 MAXIMUM.
 △₆ PROHIBITED AREA OF PATTERN WIRING AND SOLDER.
 (FOR EACH AREA, THE WIRING THAT TOUCHES ON THE SOLDER CAN BE ATTACHED, THEN COVERED WITH A FILM TO KEEP SOLDER OUT).
 △₇ THIS DIMENSION SHOWS THE DIMENSION BETWEEN SOLDERING SURFACE OF SOLDER TAILS.

14.76	14.16	11.90	13.56	505070-7022	---	---	70
13.71	13.11	10.85	12.51	505070-6422	---	---	64
13.01	12.41	10.15	11.81	505070-6022	---	---	60
12.66	12.06	9.80	11.46	505070-5822	---	---	58
11.96	11.36	9.10	10.76	505070-5422	○	---	54
11.26	10.66	8.40	10.06	505070-5022	○	---	50
10.91	10.31	8.05	9.71	505070-4822	○	---	48
10.56	9.96	7.70	9.36	505070-4622	---	---	46
9.86	9.26	7.00	8.66	505070-4222	○	---	42
9.51	8.91	6.65	8.31	505070-4022	○	---	40
9.16	8.56	6.30	7.96	505070-3822	---	---	38
8.46	7.86	5.60	7.26	505070-3422	○	---	34
7.76	7.16	4.90	6.56	505070-3022	○	---	30
6.71	6.11	3.85	5.51	505070-2422	○	---	24
6.36	5.76	3.50	5.16	505070-2222	○	---	22
6.01	5.41	3.15	4.81	505070-2022	○	---	20
5.66	5.06	2.80	4.46	505070-1822	---	---	18
5.31	4.71	2.45	4.11	505070-1622	○	---	16
4.96	4.36	2.10	3.76	505070-1422	○	---	14
4.61	4.01	1.75	3.41	505070-1222	○	---	12
4.26	3.66	1.40	3.06	505070-1022	○	---	10
3.91	3.31	1.05	2.71	505070-0822	○	---	8
3.56	2.96	0.70	2.36	505070-0622	○	---	6

D	C	B	A	EMBOSSED TAPE PACKAGE	HIGH VOL. TOOL	LOW VOL. TOOL	CIRCUIT
				ORDER NO.	SAMPLE PREPARATION ○ : TOOLED △ : WORK IN PROCESS ---: TOOLING TO BE CONFIRMED		

CONNECTOR SERIES NO. : 505070-**19

THIS DRAWING CONTAINS INFORMATION THAT IS PROPRIETARY TO MOLEX ELECTRONIC TECHNOLOGIES, LLC AND SHOULD NOT BE USED WITHOUT WRITTEN PERMISSION

DIMENSION UNITS: mm SCALE: 20:1 CURRENT REV DESC: RELEASED

GENERAL TOLERANCES (UNLESS SPECIFIED): ANGULAR TOL ± 1.0°

4 PLACES ± 0.01
 3 PLACES ± 0.03
 2 PLACES ± 0.05
 1 PLACE ± 0.1
 0 PLACES ± 0.2

DRAFT WHERE APPLICABLE MUST REMAIN WITHIN DIMENSIONS

THIRD ANGLE PROJECTION

DRAWING: A3-SIZE SERIES: 505070 MATERIAL NUMBER: SEE CHART CUSTOMER: GENERAL SHEET NUMBER: 1 OF 2

EC NO: 646121 DRWN: YSEKI01 2019/09/19
 CHK'D: STERUKI 2020/09/28
 APPR: YNAITO 2020/09/28

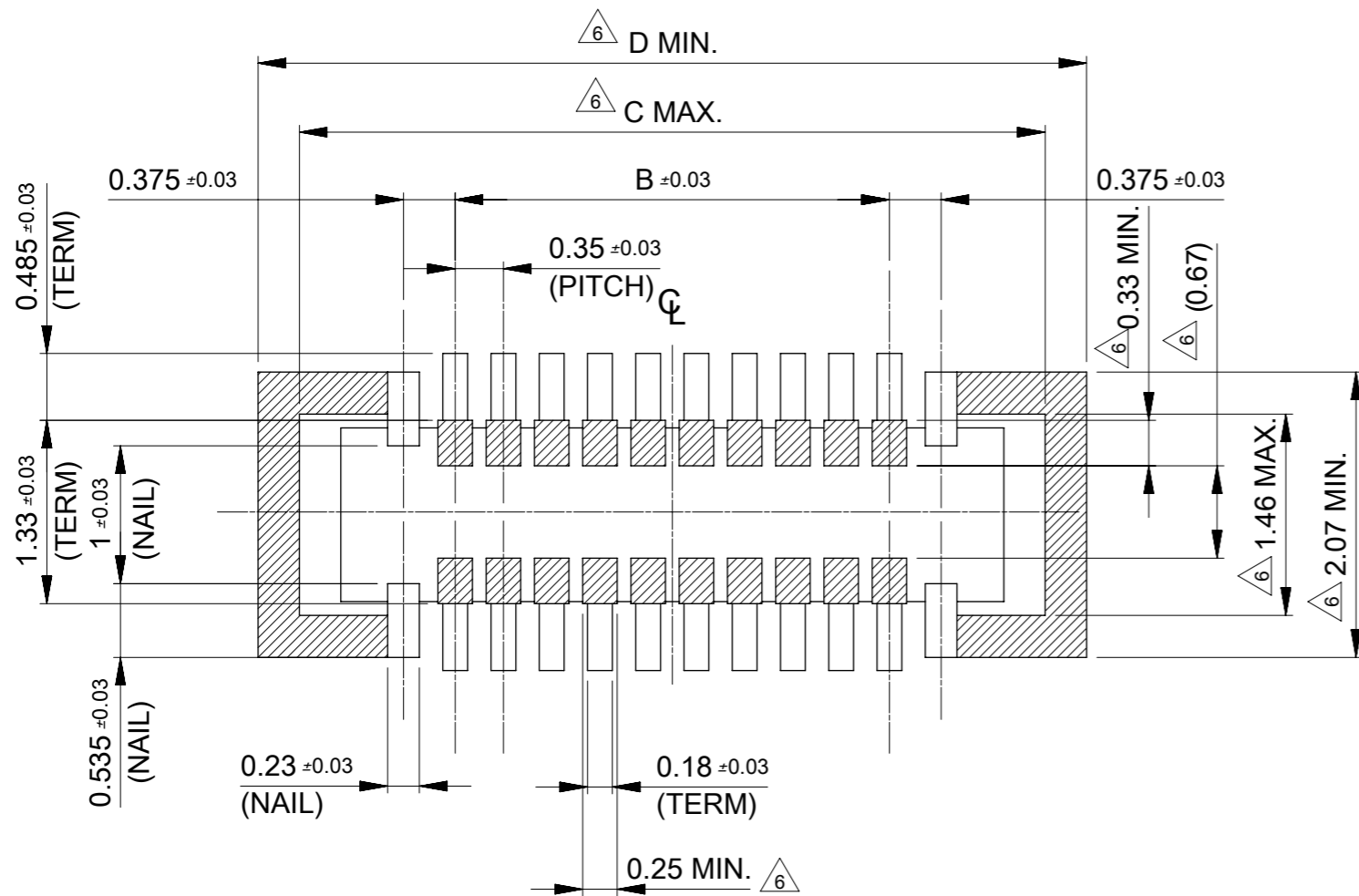
INITIAL REVISION: DRWN: TNISHIDA02 2017/03/28
 APPR: TKUSUHARA01 2017/04/03

DOCUMENT NUMBER: 5050701000 DOC TYPE: PSD DOC PART: 019 REVISION: C

molex

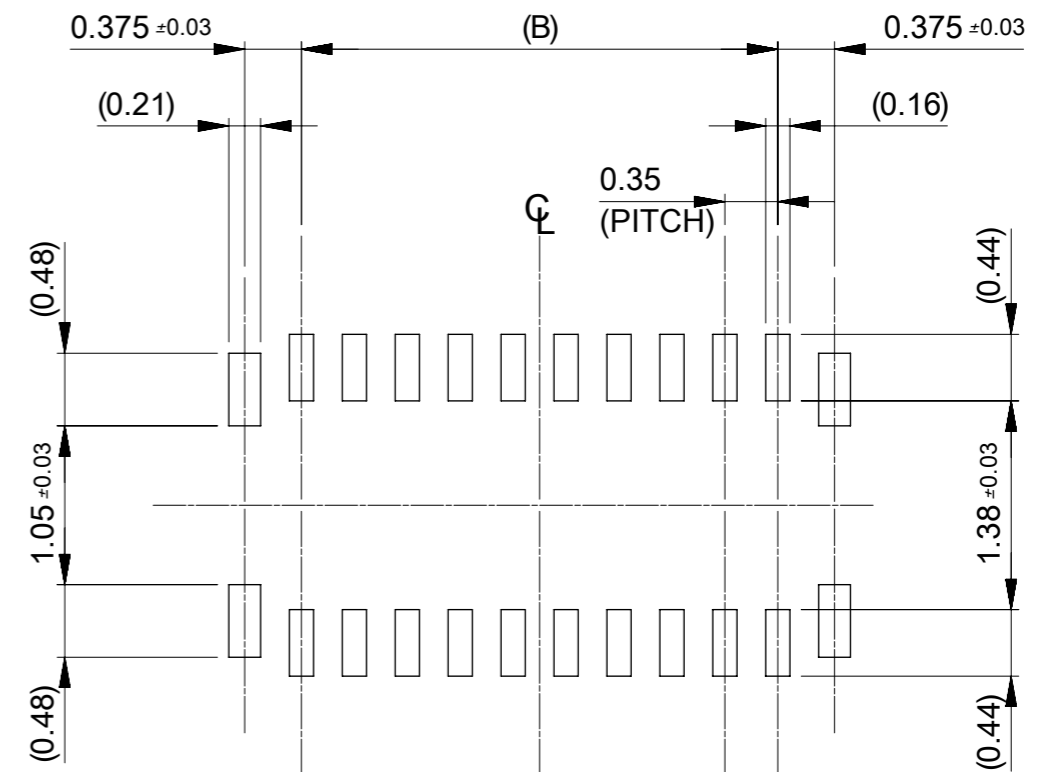
0.35 BB CONN. SSB6 RP PLUG ASSY

PRODUCT CUSTOMER DRAWING



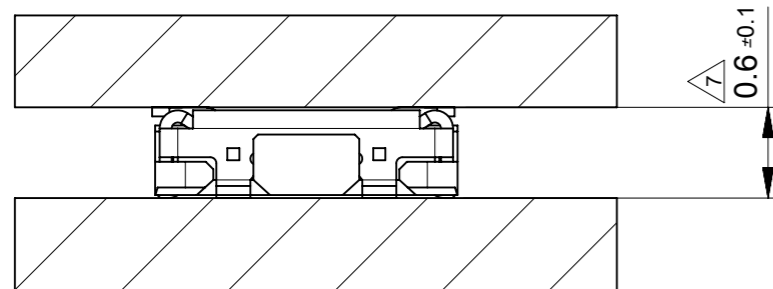
RECOMMENDED P.W.BOARD PATTERN LAYOUT(REFERENCE)

**△6 PROHIBITED AREA OF PATTERN WIRING AND SOLDER.
(FOR EACH AREA, THE WIRING THAT TOUCHES ON THE SOLDER
CAN BE ATTACHED, THEN COVERED WITH A FILM TO KEEP SOLDER OUT.)**

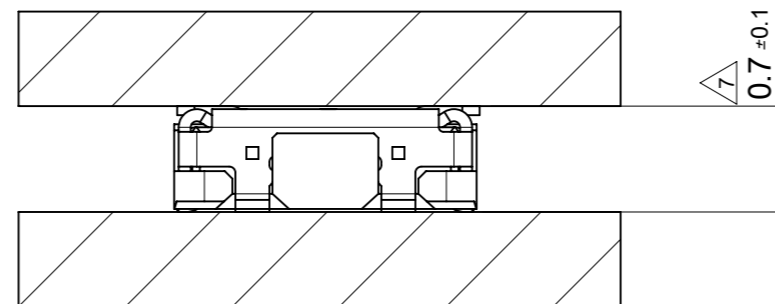


RECOMMENDED METAL MASK LAYOUT(REFERENCE)

**RECOMMENDED THICKNESS OF METAL MASK : t=0.08mm
RECOMMENDED OPEN APERTURE RATIO OF METAL MASK : 80%**



MATED CONDITION (505066/505070)



MATED CONDITION (505270/505070)

THIS DRAWING CONTAINS INFORMATION THAT IS PROPRIETARY TO MOLEX ELECTRONIC TECHNOLOGIES, LLC AND SHOULD NOT BE USED WITHOUT WRITTEN PERMISSION		CURRENT REV DESC: RELEASED		molex	
DIMENSION UNITS	SCALE				
mm	20:1			0.35 BB CONN. SSB6 RP PLUG ASSY	
GENERAL TOLERANCES (UNLESS SPECIFIED)				PRODUCT CUSTOMER DRAWING	
ANGULAR TOL	± 1.0 °	EC NO: 646121		DOCUMENT NUMBER	DOC TYPE DOC PART REVISION
4 PLACES	± 0.01	DRWN: YSEKI01	2019/09/19	5050701000	PSD 019 C
3 PLACES	± 0.03	CHK'D: STERUKI	2020/09/28		
2 PLACES	± 0.05	APPR: YNAITO	2020/09/28		
1 PLACE	± 0.1	INITIAL REVISION:			
0 PLACES	± 0.2	DRWN: TNISHIDA02	2017/03/28		
DRAFT WHERE APPLICABLE MUST REMAIN WITHIN DIMENSIONS		APPR: TKUSUHARA01	2017/04/03		
THIRD ANGLE PROJECTION		DRAWING	SERIES	MATERIAL NUMBER	CUSTOMER
		A3-SIZE	505070	SEE CHART	GENERAL
				SHEET NUMBER	
				2 OF 2	