

500mA Current 35V Input Voltage LDO

SSP78MXX

General Description

SSP78MXX is three-terminal positive regulators. One of these regulators can deliver up to 500mA of output current. The internal limiting and thermal-shutdown features of the regulator make them essentially immune to overload. When used as a replacement for a zener diode-resistor combination, an effective improvement in output impedance can be obtained, together with lower quiescent current.



Features

- Output Current of 500mA
- Max Input Voltage 35V
- Thermal Overload Protection
- Short Circuit Protection
- Output transistor safe area protection
- No external components
- Package: TO252
- Output voltage accuracy: tolerance $\pm 5\%$

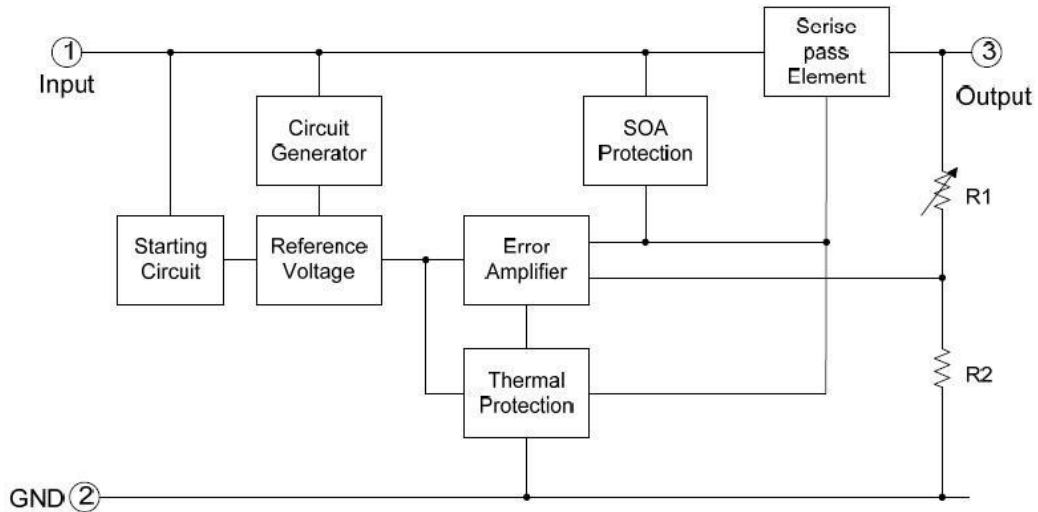
Order Information

Device	Package	Manner of Packing	Devices per bag/reel
SSP78MXX	TO252	Reel	2500PCS/reel

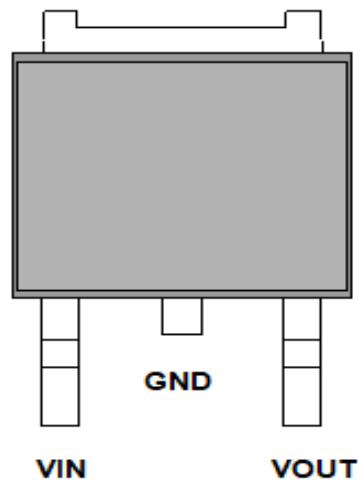
Selection Table

Part No	Output Voltage	Package
SSP78M05	5.0V	TO252
SSP78M06	6.0V	
SSP78M08	8.0V	
SSP78M09	9.0V	
SSP78M12	12V	

Block Diagram and Pin Arrangement Diagram



TO252(Top View)



Pin Assignment

Pin No.	Pin Name	Description
1	VIN	Supply Voltage Input.
2	GND	Ground connection.
3	VOUT	Output.

Functional Description

SSP78MXX is three-terminal positive regulators. One of these regulators can deliver up to 500mA of output current. The internal limiting and thermal-shutdown features of the regulator make them essentially immune to overload. The output voltage can be 5.0V, 6.0V, 8.0V, 9.0V or 12.0V.

Absolute Maximum Ratings

Parameter	Symbol	Value	Unit
Supply Voltage Input	V _{IN}	35	V
MAX. Output current	I _{OUT}	500	mA
MAX. Power	P _{MAX}	0.5	W
Maximum junction temperature	T _j	-25~125	°C
Storage Temperature	T _{str}	-55~125	°C
Soldering temperature and time	T _{st}	+260(Recommended 10S)	°C

Note: The absolute maximum ratings are rated values exceeding which the product could suffer physical damage. These values must therefore not be exceeded under any conditions.

Electrical Characteristics

$C_{IN}=0.33\mu F, C_O=0.1\mu F, 0 \leq T_j \leq 125^\circ C$, unless otherwise noted.

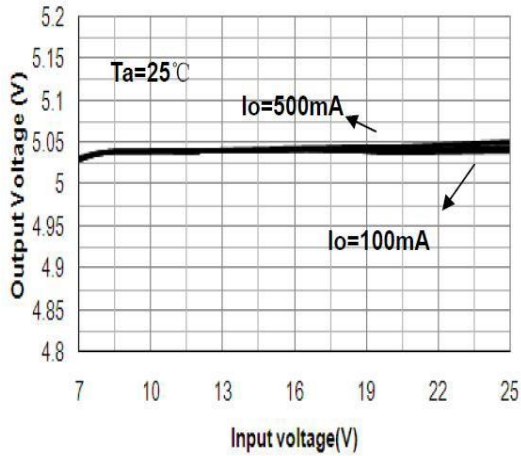
Parameter	Symbol	Test Conditions	Min.	Typ.	Max.	Unit
Output Voltage	V_{OUT}	$I_o=40mA, V_{IN}=10V$	$0.964 \times V_{OUT}$	V_{OUT}	$1.036 \times V_{OUT}$	V
		$I_o=1mA \sim 40mA$ $V_{IN}=7V \sim 18V$	$0.96 \times V_{OUT}$	V_{OUT}	$1.04 \times V_{OUT}$	V
		$I_o=1mA \sim 10mA$ $V_{IN}=10V$	$0.95 \times V_{OUT}$	V_{OUT}	$1.05 \times V_{OUT}$	V
Line Regulation	LNR	$V_{IN}=7V \sim 18V,$ $I_o=40mA$	-150	-	150	mV
		$V_{IN}=8V \sim 18V,$ $I_o=40mA$	-100	-	100	mV
Load Regulation	LDR	$V_{IN}=10V,$ $I_o=1mA \sim 100mA$	-60	-	60	mV
		$V_{IN}=10V,$ $I_o=1mA \sim 40mA$	-30	-	30	mV
Dropout Voltage	VDIF	$T_j=25^\circ C, I_o=100mA$	-	2	-	V
Output noise Voltage	V_N	$F=10Hz$ to $100KHz$	-	40	-	$\mu V/V_o$
Ripple Rejection	PSRR	$T_j=25^\circ C, f=120Hz,$ $I_o=40mA,$ $V_{IN}=8V \sim 20V$	-	80	-	dB
Quiescent Current	I_Q	$V_{IN}=10V, I_{OUT}=40mA$	-	-	5.5	mA
Quiescent Current Change	ΔI_Q	$V_{IN}=8V \sim 18V,$ $I_o=40mA$	-1.5	-	1.5	mA
		$V_{IN}=10V,$ $I_{OUT}=1mA \sim 40mA,$	-0.1	-	0.1	mA

LNR: Line Regulation. The change in output voltage for a change in the input voltage. The measurement is made under conditions of low dissipation or by using pulse techniques such that the average chip temperature is not significantly affected.

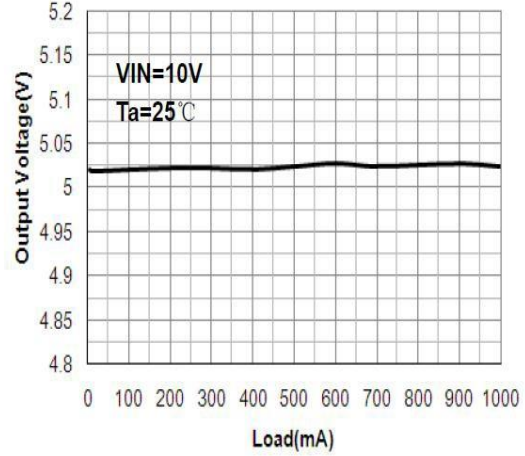
LDR: Load Regulation. The change in output voltage for a change in load current at constant chip temperature.

Typical Performance Characteristics

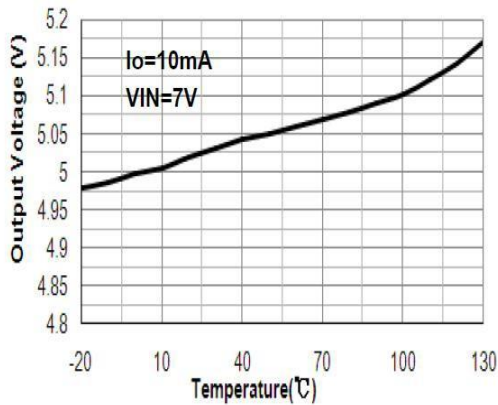
Output Voltage vs. Input voltage



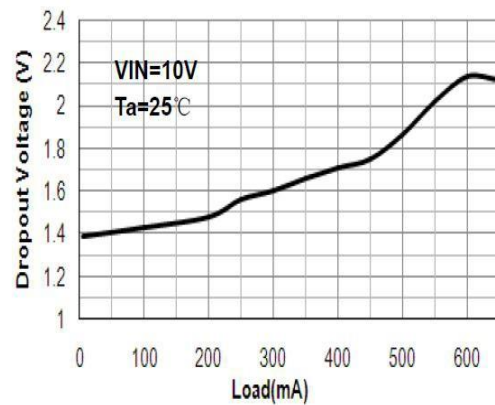
Output Voltage vs. Load



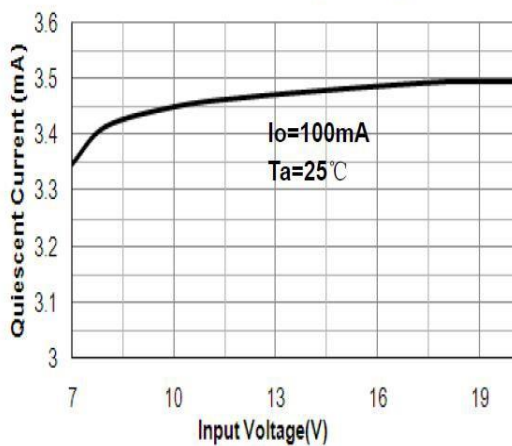
Output Voltage vs. Temperature



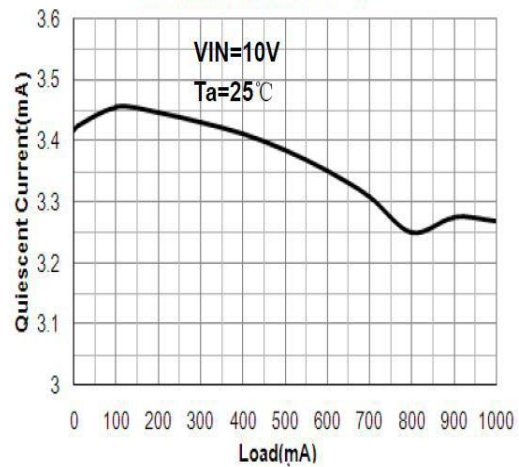
Dropout Voltage vs. Load



Quiescent Current vs. Input Voltage



Quiescent Current vs. Load



Application Circuits

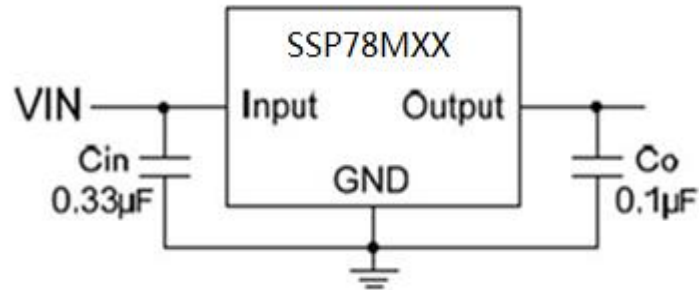


Fig.1 Fixed Output Regulator

A common ground is required between the input and the output voltages. The input voltage must remain typically 2.0V above the output voltage even during the low point on the input ripple voltage.

- Cin is required if regulator is located an appreciable distance from power supply filter.
- Co is not needed for stability; however, it does improve transient response.

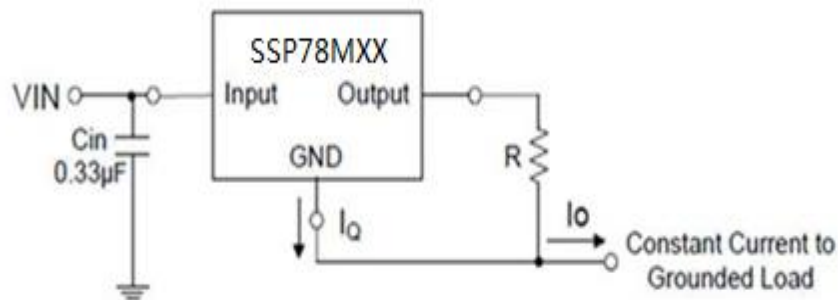


Fig.2 Constant Current Regulator

The SSP78MXX regulator can also be used as a current source when connected as Fig.2. In order to minimize dissipation the 78LXX is chosen in this application. Resistor R determines the current as follows:

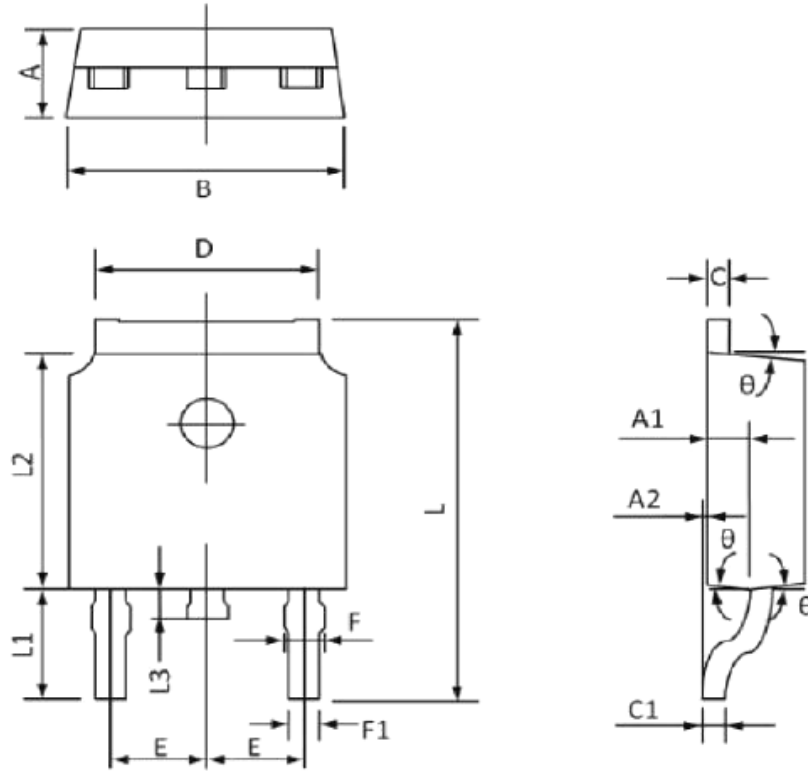
$$I_o = \frac{5V}{R} + I_q$$

Operation Description

SSP78MXX is designed with Thermal Overload Protection that shuts down the circuit when subjected to an excessive power overload condition, Internal Short Circuit Protection that limits the maximum current the circuit will pass, and Output Transistor Safe-Area Compensation that reduces the output short circuit current as the voltage across the pass transistor is increased.

In many low current applications, compensation capacitors are not required. However, it is recommended that the regulator input be bypassed with a capacitor if the regulator is connected to the power supply filter with long wire lengths, or if the output load capacitance is large. An input bypass capacitor should be selected to provide good high frequency characteristics to insure stable operation under all load conditions. A 0.33 μ F or larger tantalum, mylar, or other capacitor having low internal impedance at high frequencies should be chosen. The bypass capacitor should be mounted with the shortest possible leads directly across the regulator's input terminals. Normally good construction techniques should be used to minimize ground loops and lead resistance drops since the regulator has no external sense lead.

Package Information (TO252)



Symbol	Dimensions In Millimeters		Dimensions In Inches	
	Min.	Max.	Min.	Max.
A	2.20	2.40	0.087	0.094
A1	0.91	1.11	0.036	0.044
A2	0.00	0.15	0.000	0.006
B	6.50	6.70	0.256	0.264
C	0.46	0.580	0.018	0.230
C1	0.46	0.580	0.018	0.230
D	5.10	5.46	0.201	0.215
E	2.186	2.386	0.086	0.094
F	0.74	0.94	0.029	0.037
F1	0.660	0.860	0.026	0.034
L	9.80	10.40	0.386	0.409
L1	2.9REF		0.114REF	
L2	6.00	6.20	0.236	0.244
L3	0.60	1.00	0.024	0.039
θ	3°	9°	3°	9°

Special Instructions

The company reserves the right of final interpretation of this specification.

Version Change Description

Version: V1.7

Author: Xin Chun Li

Time:

2021.10.15

Modify the record:

1. Re-typesetting the manual and checking some data
-