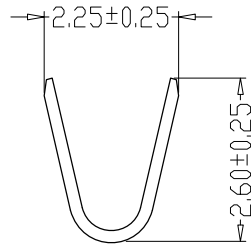
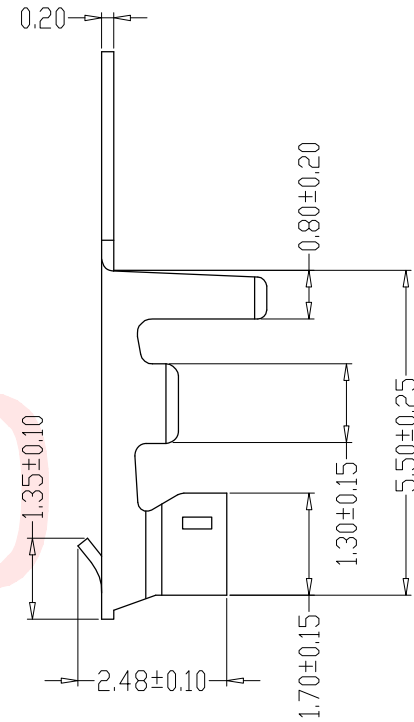
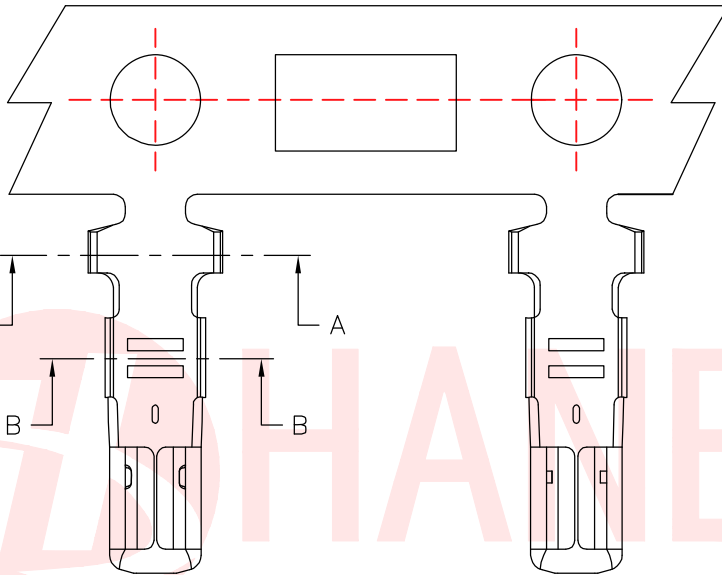
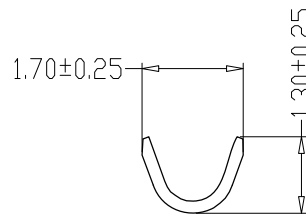




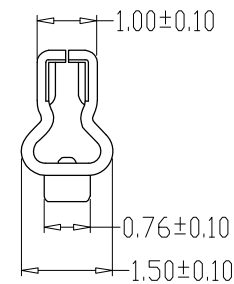
REV.	ECN NO OR DESCRIPTION	REVISED	DATE



SEC:A-A



SEC:B-B



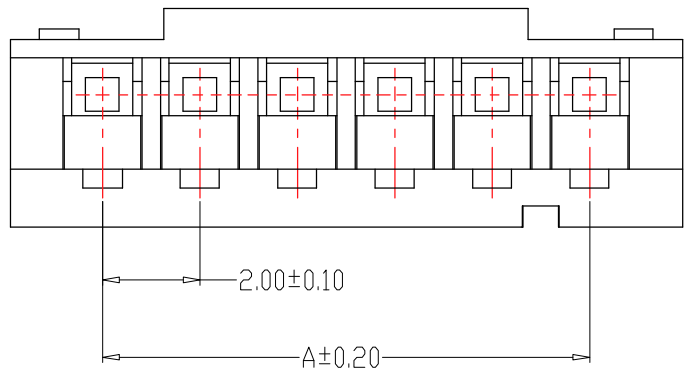
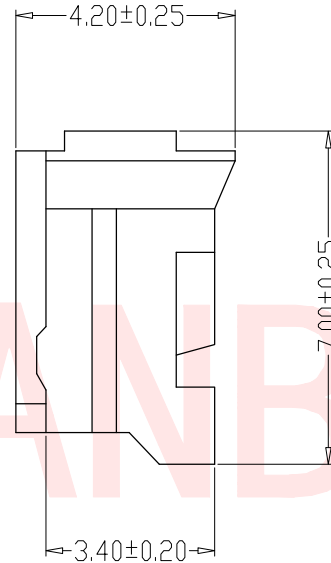
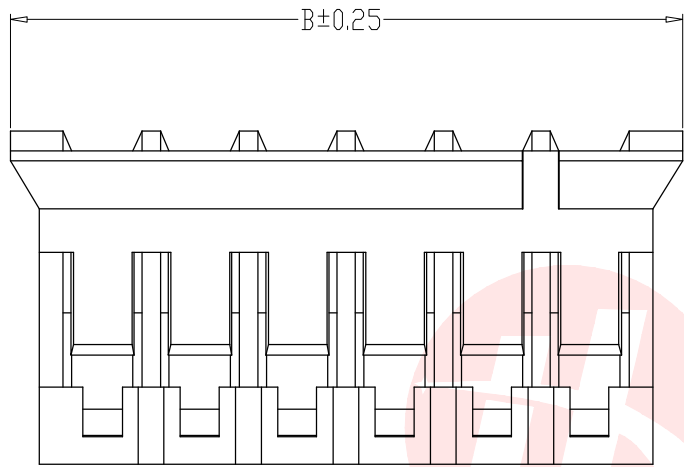
**SPECIFICATIONS**

- 1、Current Rating: 2A AC, DC
- 2、Voltage Rating: 250V AC, DC
- 3、Temperatuer Range: -25℃~+85℃
- 4、Contact Resistance: 20mΩ Max
- 5、Insulation Resistance: 1000MΩ Min
- 6、Withstanding Voltang: 800V AC/minute
- 7、Material:Phosphoric bronze Tin-plated
- 8、Applicable Wire Sizes:AWG#24~30#

UNLESS OTHERWISE SPECIFED TOLERANCES		东莞市汉博电子科技有限公司 DONGGUAN HANBO TECHNOLOGY CO., LTD			
DECIMALS:	ANGLES:	TITLE WAFER PH 2.00端子			
X :±0.20	X :±2°	DWN	xiong	PART NO. WAFER-PH200DZ	
X.X :±0.10	X.X :±1°	CHKD	lee	SCALE:1:1	UNIT: mm
X.XX :±0.05		APVD	wang	SIZE: A4	SHEET:10F 1
		REV: A4			
CUSTOMER COPY					



REV.	ECN NO OR DESCRIPTION	REVISED	DATE



### SPECIFICATIONS

- 1、Current Rating: 2A AC, DC
- 2、Voltage Rating: 250V AC, DC
- 3、Temperatuer Range: -25°C~+85°C
- 4、Contact Resistance: 20mΩ Max
- 5、Insulation Resistance: 1000MΩ Min
- 6、Withstanding Voltang: 800V AC/minute
- 7、Material: Nylon66, UL94V-0

TABLE:

CSG PART NO.	PIN位	A	B
WAFER-PH200JK-2A	2PIN	2.00	5.80
WAFER-PH200JK-3A	3PIN	4.00	7.80
WAFER-PH200JK-4A	4PIN	6.00	9.80
WAFER-PH200JK-5A	5PIN	8.00	11.80
WAFER-PH200JK-6A	6PIN	10.00	13.80
WAFER-PH200JK-7A	7PIN	12.00	15.80
WAFER-PH200JK-8A	8PIN	14.00	17.80
WAFER-PH200JK-9A	9PIN	16.00	19.80
WAFER-PH200JK-10A	10PIN	18.00	21.80
WAFER-PH200JK-11A	11PIN	20.00	23.80
WAFER-PH200JK-12A	12PIN	22.00	25.80
WAFER-PH200JK-16A	16PIN	30.00	33.80

UNLESS OTHERWISE SPECIFED TOLERANCES

DECIMALS: ANGLES:  
 X :±0.20 X :±2°  
 X.X :±0.10 X.X :±1°  
 X.XX :±0.05



东莞市汉博电子科技有限公司  
 DONGGUAN HANBO TECHNOLOGY CO., LTD

TITLE	WAFER PH 2.00胶壳			
DWN	xiong	PART NO. WAFER-PH200JK-NA		
CHKD	lee	SCALE:1:1	UNIT: mm	
APVD	wang	SIZE: A4	SHEET:10F 1	REV: A4
CUSTOMER COPY				



REV.	ECN NO OR DESCRIPTION	REVISED	DATE

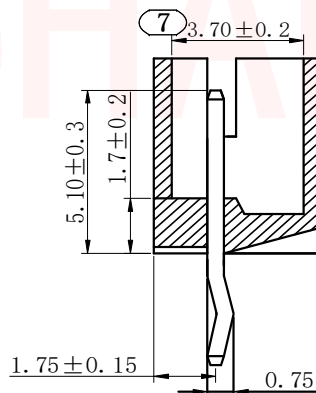
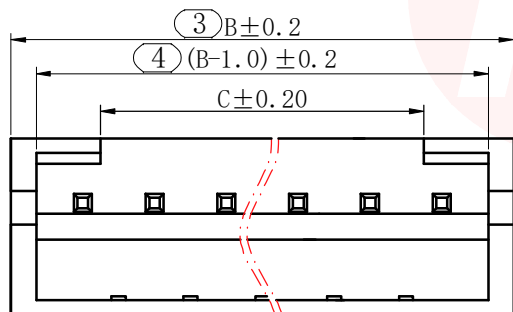
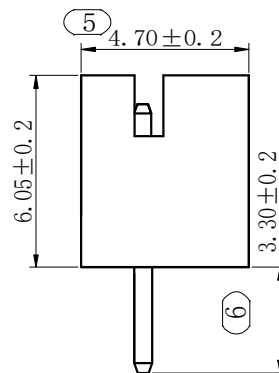
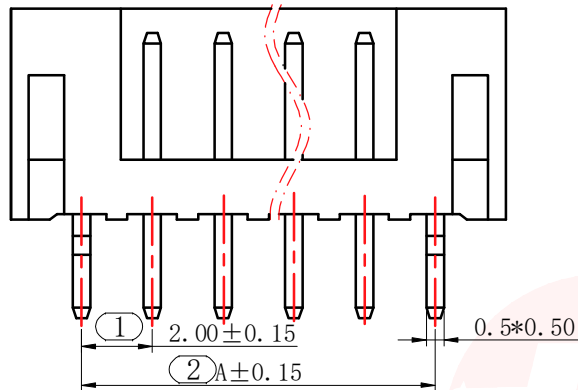
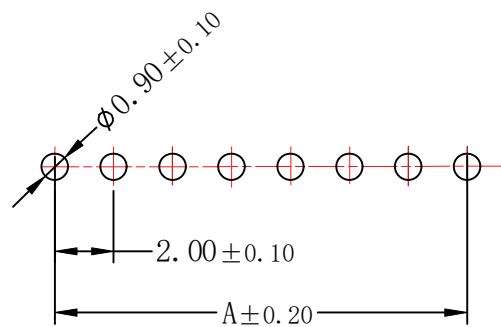


TABLE:

CSG PART NO.	Dimension mm		
	PIN	A	B
WAFER-PH200Z-2A	2P	2.00	6.00
WAFER-PH200Z-3A	3P	4.00	8.00
WAFER-PH200Z-4A	4P	6.00	10.00
WAFER-PH200Z-5A	5P	8.00	12.00
WAFER-PH200Z-6A	6P	10.00	14.00
WAFER-PH200Z-7A	7P	12.00	16.00
WAFER-PH200Z-8A	8P	14.00	18.00
WAFER-PH200Z-9A	9P	16.00	20.00
WAFER-PH200Z-10A	10P	18.00	22.00
WAFER-PH200Z-11A	11P	20.00	24.00
WAFER-PH200Z-12A	12P	22.00	26.00
WAFER-PH200Z-20A	20P	38.00	44.00



SUGGESTED PCB LAYOUT  
(COMPONENT SIDE)

技术要求:

- 1、塑件材料: PA66 (UL-94V-0)
- 2、接触件: 黄铜镀锡
- 3、接触电阻:  $\leq 10\text{m}\Omega$
- 4、绝缘电阻:  $\geq 1000\text{M}\Omega$
- 5、额定电压: 250V AC DC
- 6、额定电流: 2.0A AC DC
- 7、耐压: 能承受1000V AC/Minute
- 8、工作温度:  $-25^{\circ} \sim +85^{\circ}$
- 9、可焊性试验: 浸锡面积  $\geq 95\%$  温度  $235^{+5}_{-0}$ , 时间  $2.5 \pm 0.5$  秒
- 10、铅和镉等六大有害物质含量要符合环保要求

序号	名称	材料	电镀 (锡): 整个表面镀底镍 30U"MIN 再镀锡80U" MIN
1	端子/Contact	黄铜	白色
2	基座/Wafer	PA66 (UL94V-0)	白色
UNLESS OTHERWISE SPECIFIED TOLERANCES		东莞市汉博电子科技有限公司 DONGGUAN HANBO TECHNOLOGY CO., LTD	
DECIMALS: X : ±0.20 X.X : ±0.10 X.XX : ±0.05		TITLE: WAFER PH 2.00MM 直针 DIP TYPE DWN: xiong PART NO. WAFER-PH200Z-NA CHKD: lee SCALE:1:1 UNIT: mm APVD: wang SIZE: A4 SHEET:1OF 1 REV: A4	
CUSTOMER COPY			



REV.	ECN NO OR DESCRIPTION	REVISED	DATE

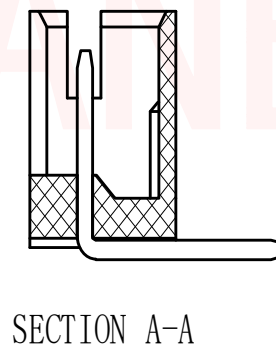
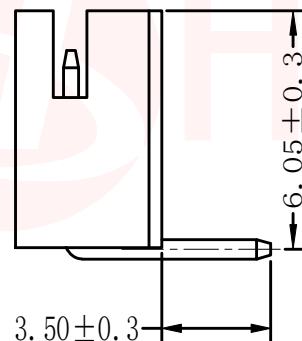
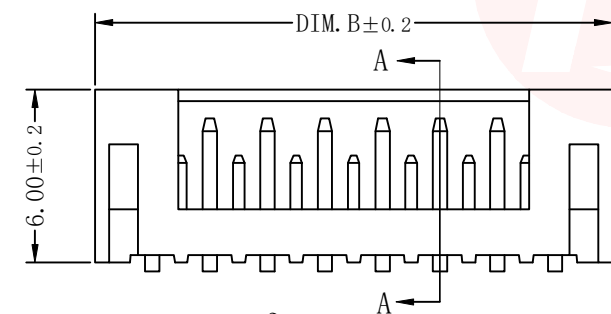
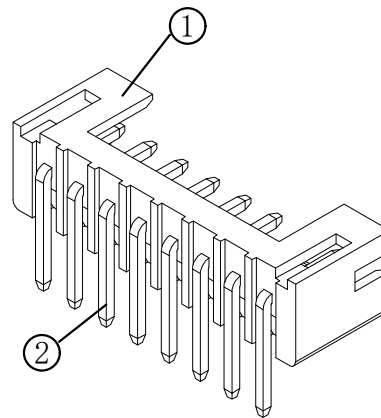
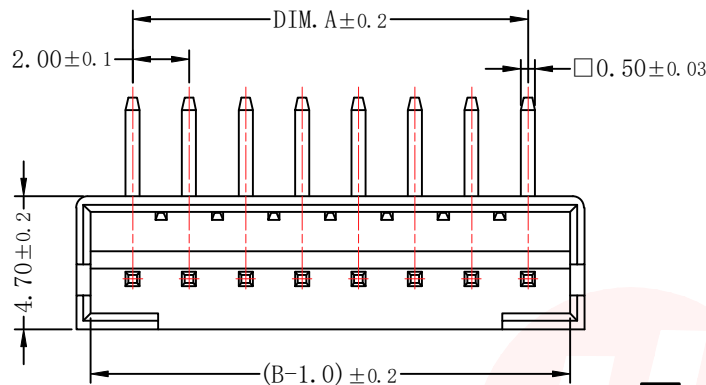
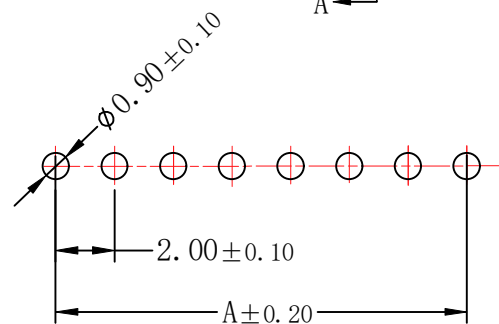


TABLE:

CSG PART NO.	Dimension mm		
	PIN	A	B
WAFER-PH200WZ-2A	2P	2.00	6.00
WAFER-PH200WZ-3A	3P	4.00	8.00
WAFER-PH200WZ-4A	4P	6.00	10.00
WAFER-PH200WZ-5A	5P	8.00	12.00
WAFER-PH200WZ-6A	6P	10.00	14.00
WAFER-PH200WZ-7A	7P	12.00	16.00
WAFER-PH200WZ-8A	8P	14.00	18.00
WAFER-PH200WZ-9A	9P	16.00	20.00
WAFER-PH200WZ-10A	10P	18.00	22.00
WAFER-PH200WZ-11A	11P	20.00	24.00
WAFER-PH200WZ-12A	12P	22.00	26.00
WAFER-PH200WZ-20A	20P	38.00	44.00



SUGGESTED PCB LAYOUT  
(COMPONENT SIDE)

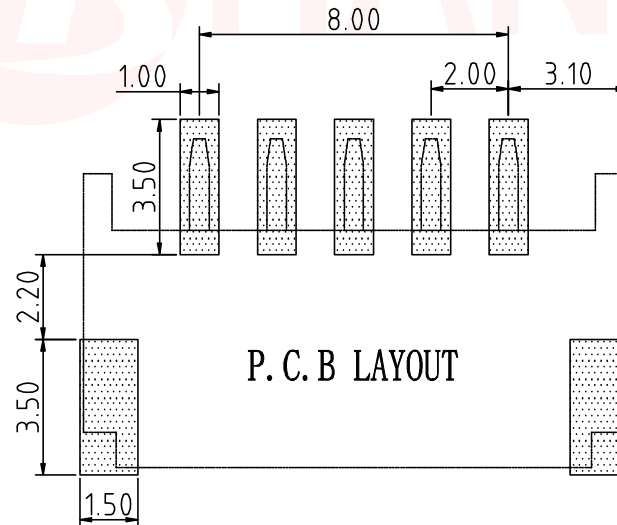
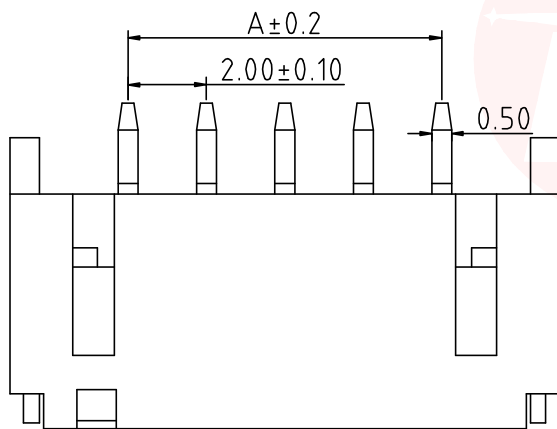
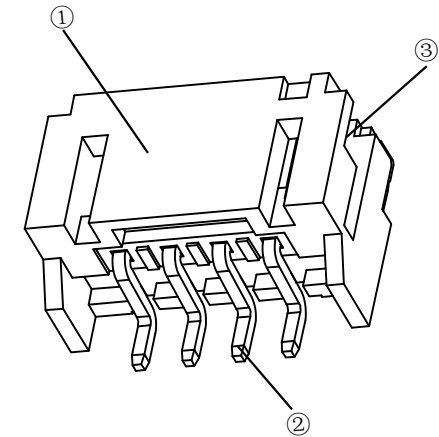
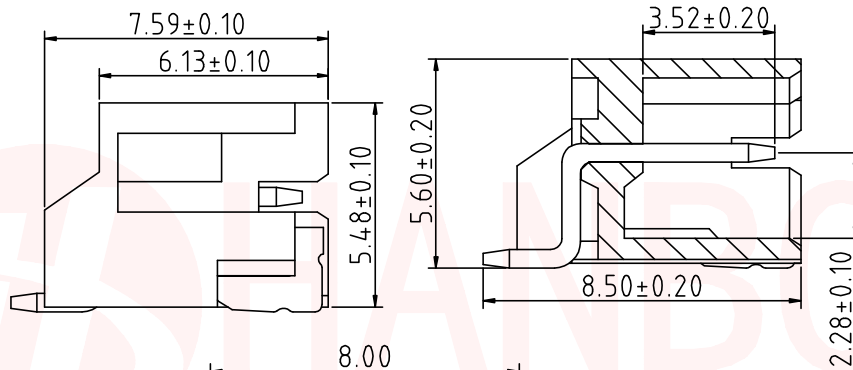
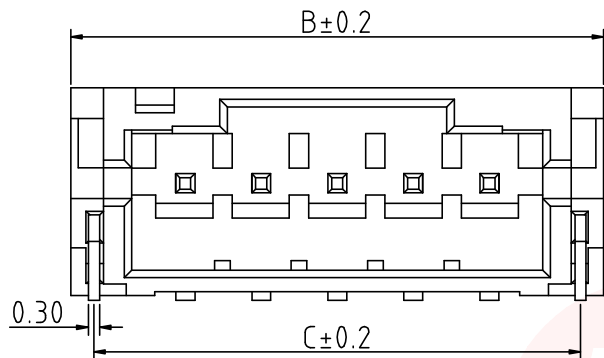
技术要求:

- 1、塑件材料: PA66 (UL-94V-0)
- 2、接触件: 黄铜镀锡
- 3、接触电阻:  $\leq 10m\Omega$
- 4、绝缘电阻:  $\geq 1000M\Omega$
- 5、额定电压: 250V AC DC
- 6、额定电流: 2.0A AC DC
- 7、耐压: 能承受1000V AC/Minute
- 8、工作温度:  $-25^{\circ} \sim +85^{\circ}$
- 9、可焊性试验: 浸锡面积 $\geq 95\%$ 温度 $235^{+5}_{-0}$ , 时间 $2.5 \pm 0.5$ 秒
- 10、铅和镉等六大有害物质含量要符合环保要求

序号	名称	材料	电镀(锡): 整个表面镀底镍
1	端子/Contact	黄铜	30U"MIN 再镀锡80U" MIN
2	基座/Wafer	PA66 (UL94V-0)	白色
UNLESS OTHERWISE SPECIFIED TOLERANCES		东莞市汉博电子科技有限公司 DONGGUAN HANBO TECHNOLOGY CO., LTD	
DECIMALS: ANGLES:		TITLE: WAFER PH 2.00MM 弯针 DIP TYPE	
X :±0.20	X :±2°	DWN	xiong PART NO. WAFER-PH200WZ-NA
X.X :±0.10	X.X :±1°	CHKD	lee SCALE:1:1 UNIT: mm
X.XX :±0.05		APVD	wang SIZE: A4 SHEET:1OF 1 REV: A4
CUSTOMER COPY			



5	6
REV.	ECN NO OR DESCRIPTION
	REVISED
	DATE



Pin	A	B	C
2A	2.00	8.00	6.80
3A	4.00	10.00	8.80
4A	6.00	12.00	10.80
5A	8.00	14.00	12.80
6A	10.00	16.00	14.80
7A	12.00	18.00	16.80
8A	14.00	20.00	18.80
9A	16.00	22.00	20.80
10A	18.00	24.00	22.80
11A	20.00	26.00	24.80
12A	22.00	28.00	26.80
13A	24.00	30.00	28.80
14A	26.00	32.00	30.80
15A	28.00	34.00	32.80
16A	30.00	36.00	34.80

技术参数

间距: 2.0

温度范围: -25~+85°C

额定电压: 250V AC, DC

额定电流: 2.0A AC, DC

接触电阻: 20mΩ

绝缘电阻: 800MΩ

耐压: 500V AC/minute

UNLESS OTHERWISE SPECIFIED TOLERANCES

DECIMALS: ANGLES:  
 X :±0.20 X :±2°  
 X.X :±0.10 X.X :±1°  
 X.XX :±0.05



东莞市汉博电子科技有限公司  
 DONGGUAN HANBO TECHNOLOGY CO., LTD

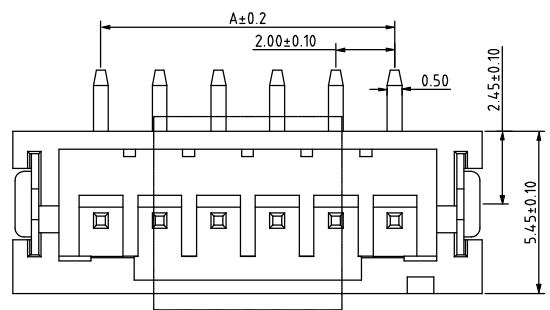
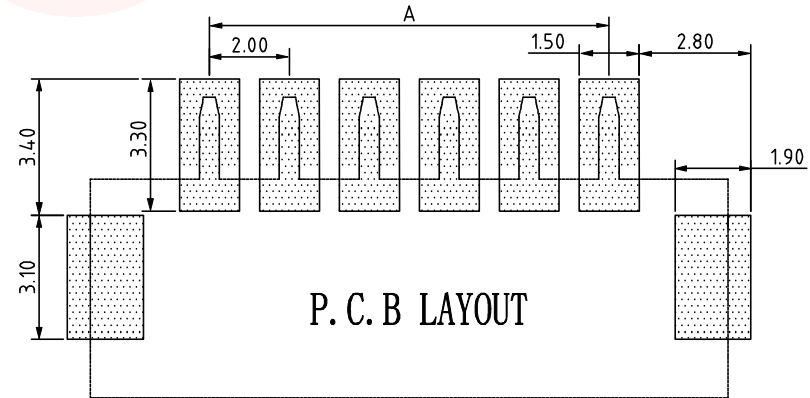
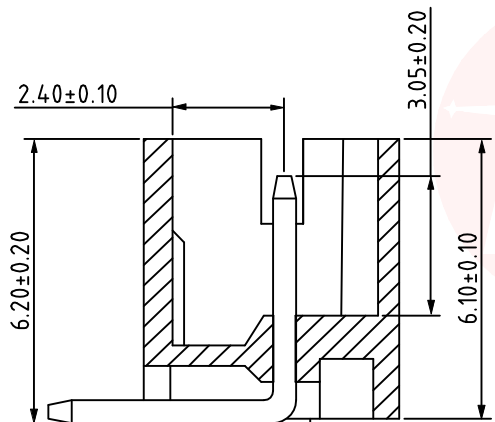
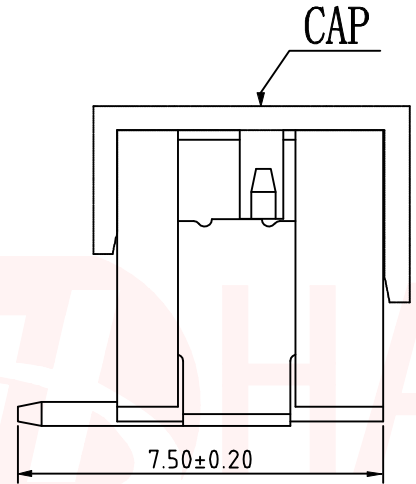
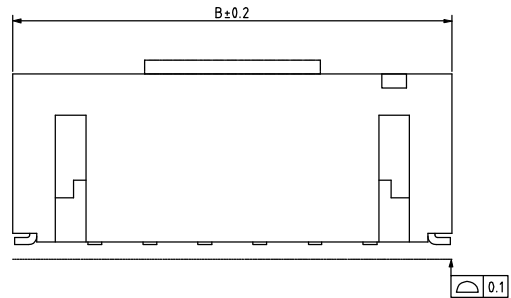
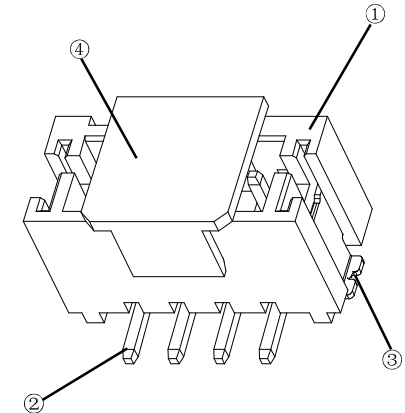
TITLE	WAFER 针座 PH 2.0 贴片			
DWN	xiong	PART NO. WAFER-200W-NA		
CHKD	lee	SCALE:1:1	UNIT: mm	
APVD	wang	SIZE: A4	SHEET:1OF 1	REV: A4

CUSTOMER COPY



REV.	ECN NO OR DESCRIPTION	REVISED	DATE

Pin	A	B
2A	2.00	8.00
3A	4.00	10.00
4A	6.00	12.00
5A	8.00	14.00
6A	10.00	16.00
7A	12.00	18.00
8A	14.00	20.00
9A	16.00	22.00
10A	18.00	24.00
11A	20.00	26.00
12A	22.00	28.00
13A	24.00	30.00
14A	26.00	32.00
15A	28.00	34.00
16A	30.00	36.00



技术参数

- 间距: 2.0
- 温度范围: -25~+85 °C
- 额定电压: 250V AC, DC
- 额定电流: 2.0A AC, DC
- 接触电阻: 20m Ω
- 绝缘电阻: 800M Ω
- 耐压: 500V AC/minute

- 塑件表面应光洁、无毛边、无明显收缩、缺陷、裂纹等现象。
- 不同PIN位吸盖加入/取出力有差异，实属正常现象。

UNLESS OTHERWISE SPECIFIED TOLERANCES

DECIMALS:	ANGLES:
X :±0.20	X :±2°
X.X :±0.10	X.X :±1°
X.XX :±0.05	

东莞市汉博电子科技有限公司 DONGGUAN HANBO TECHNOLOGY CO., LTD	
TITLE	WAFER 针座 PH 2.0立贴
DWN	xiong PART NO. WAFER-200L-NA
CHKD	lee SCALE:1:1 UNIT: mm
APVD	wang SIZE: A4 SHEET:1OF 1 REV: A4
CUSTOMER COPY	