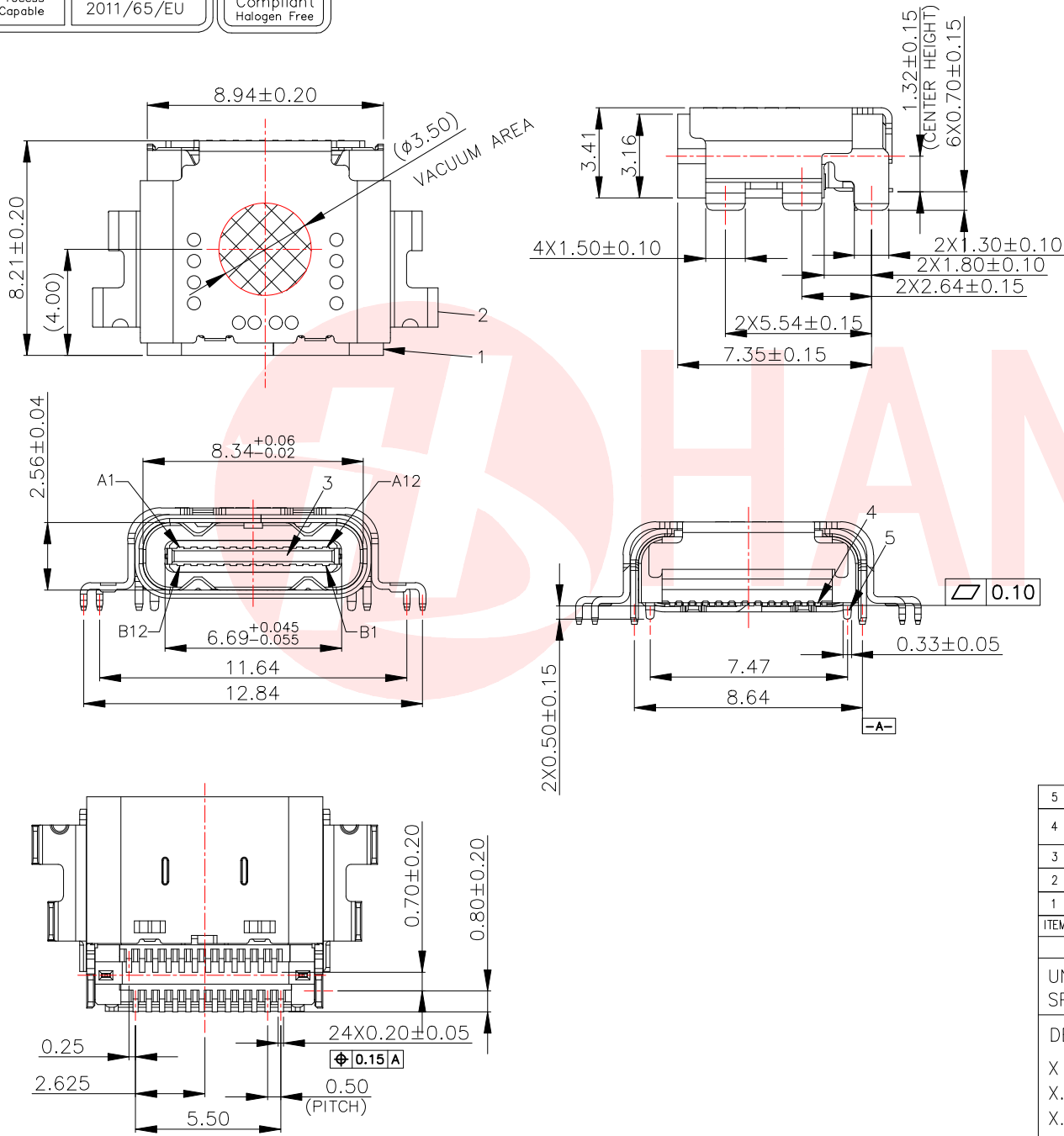




5	6
REV.	ECN NO OR DESCRIPTION
REVISED	DATE



NOTE/注释:

1. SPECIFICATION/规格:

- 1.1 Rated current (额定电流): 5.0 A
- 1.2 Voltage rating (额定电压): 5V AC
- 1.3 Contact Resistance (接触阻抗): 40 mΩ Max.
- 1.4 Insulation Resistance (绝缘阻抗): 100MΩ Min.
- 1.5 Withstanding voltage (耐电压): 100 VAC/minute
- 1.6 Mating force (插入力): 5~20N
- 1.7 Unmating force (拔出力): 8~20N
- 1.8 Durability Cycle (寿命循环): 10,000 cycle
- 1.9 Operating temperature (工作温度): -40°~+85°

PART NO.  
MC-276-EP24-003

- 001=镀金1u"
- 003=镀金3u"
- 005=镀金5u"
- 015=镀金15u"
- 030=镀金30u"

PIN ASSIGNMENT

A1	A2	A3	A4	A5	A6	A7	A8	A9	A10	A11	A12
GND	TX1+	TX1-	Vbus	CC1	D+	D-	SBU1	Vbus	RX2-	RX2+	GND
GND	RX1+	RX1-	Vbus	SBU2	D-	D+	CC2	Vbus	TX2-	TX2+	GND
B12	B11	B10	B9	B8	B7	B6	B5	B4	B3	B2	B1

5	MID PLATE	1	SUS301-H	30U * NICKEL PLATING	T=0.15
4	TERMINAL	24	COPPER ALLOY	MATING SIDE: SEE PART NO; SOLDER TAIL: Gold FLASH, 50u" NICKEL OVERALL.	T=0.12
3	MAIN HOUSING		HIGH TEMPERATURE	PA9T BLACK	UL94V-0
2	OUT SHELL	1	STAINLESS STEEL	30U * NICKEL PLATING	T=0.25
1	MAIN SHELL	1	STAINLESS STEEL	30U * NICKEL PLATING	T=0.30
ITEM	DESCRIPTION	Q'TY	MATERIAL	FINISH	REMARK

BILL OF MATERIAL

UNLESS OTHERWISE SPECIFIED TOLERANCES



东莞市汉博电子科技有限公司  
DONGGUAN HANBO TECHNOLOGY CO., LTD

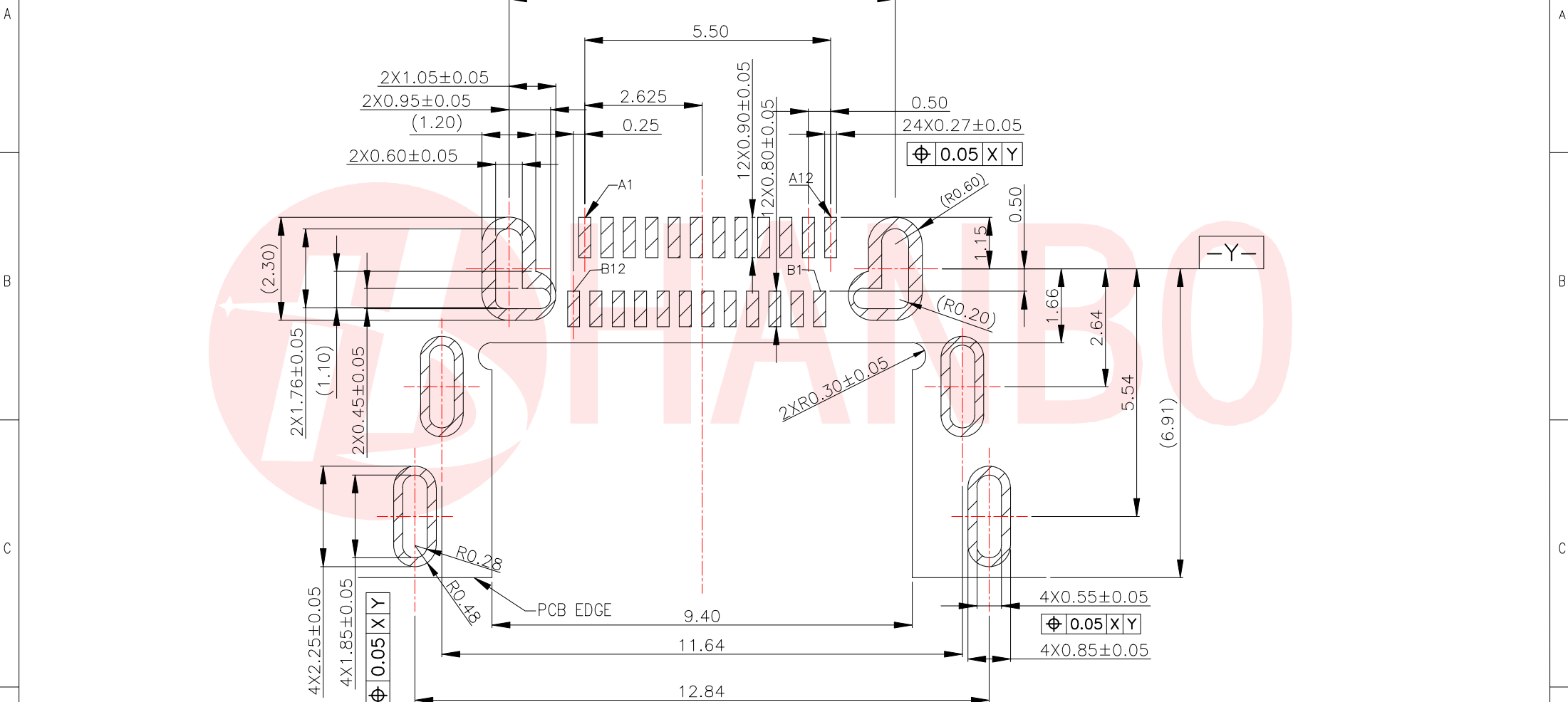
DECIMALS: ANGLES:  
X :±0.30 X :±2°  
X.X :±0.20 X.X :±1°  
X.XX :±0.10

TITLE	TYPE C 3.2母座有后盖双壳双排SMT有DIP脚CH=1.32,L=8.21 过20G		
DWN	xiong	PART NO.	MC-276-EP24-003
CHKD	lee	SCALE: 1:1	UNIT: mm
APVD	wang	SIZE: A4	SHEET: 10F 1
			REV: A4

CUSTOMER COPY



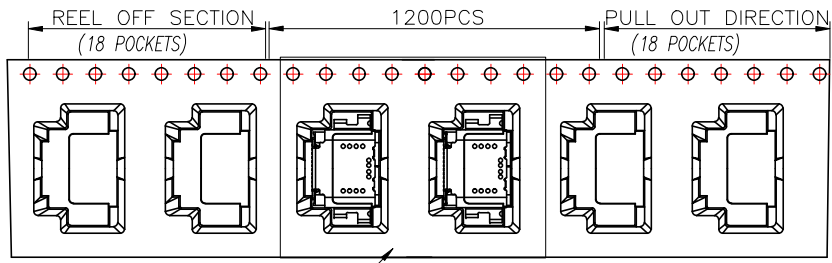
REV.	ECN NO OR DESCRIPTION	REVISED	DATE



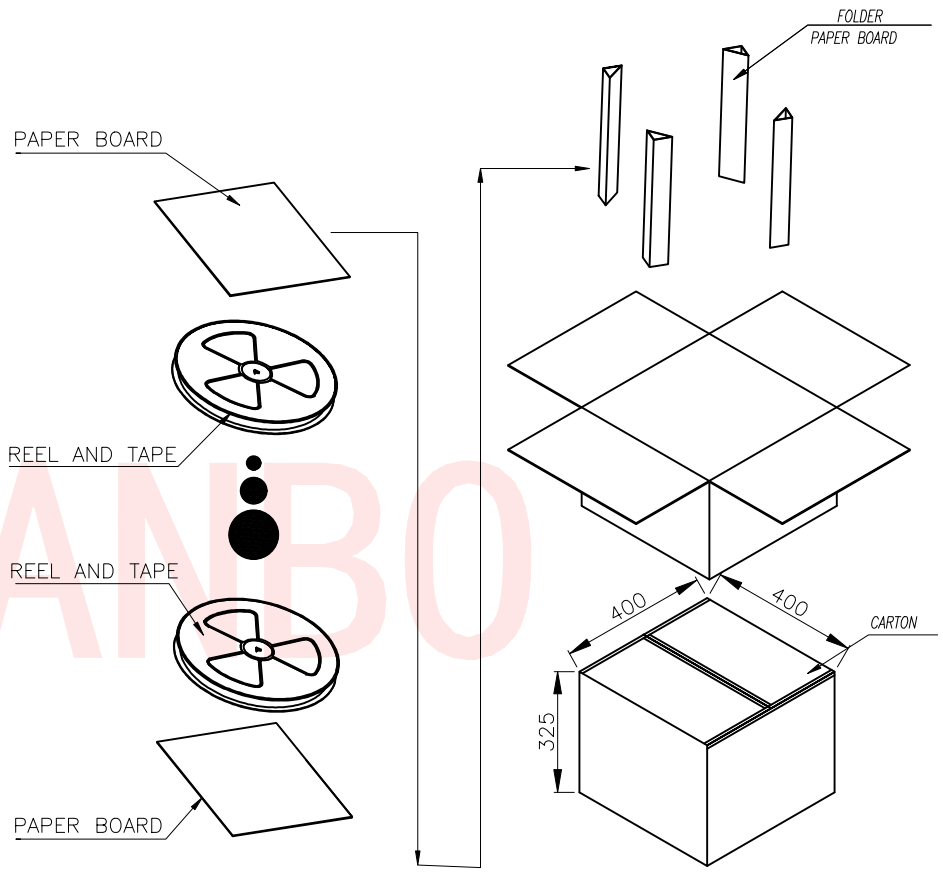
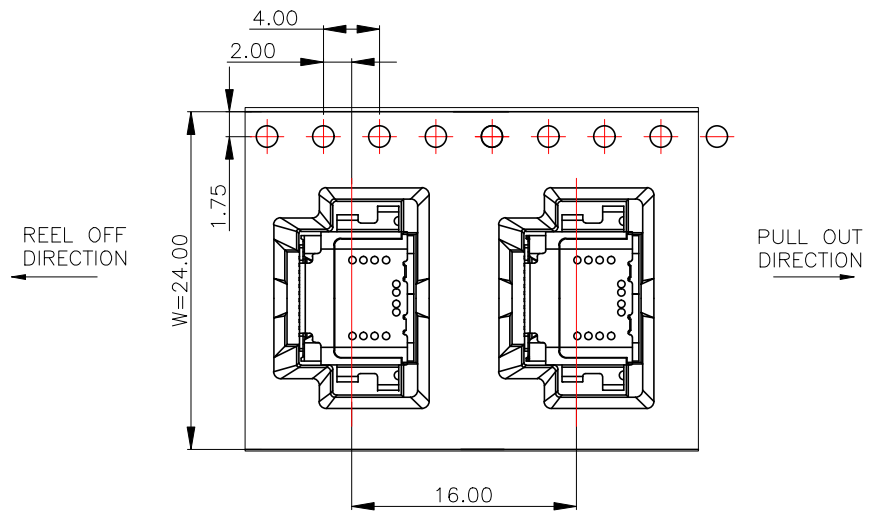
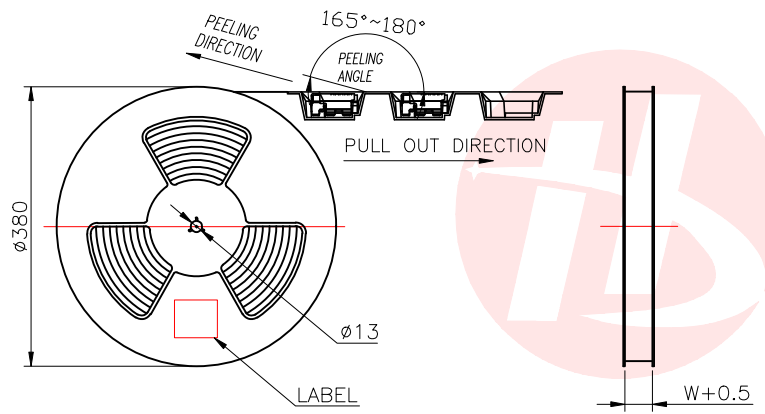
UNLESS OTHERWISE SPECIFIED TOLERANCES		东莞市汉博电子科技有限公司 DONGGUAN HANBO TECHNOLOGY CO., LTD			
DECIMALS:	ANGLES:	TITLE	TYPE C 3.2母座有后盖双壳双贴SMT有DIP脚CH=1.32,L=8.21 过20G		
X :±0.30	X :±2°	DWN	xiong	PART NO. MC-276-EP24-003	
X.X :±0.20	X.X :±1°	CHKD	lee	SCALE:1:1	UNIT: mm
X.XX :±0.10		APVD	wang	SIZE: A4	SHEET:10F 1
		REV: A4			
CUSTOMER COPY					



REV.	ECN NO OR DESCRIPTION	REVISED	DATE



SEE DETAIL X



		REEL	CARTON
CONNECTOR (PCS)		1200	12000
UNLESS OTHERWISE SPECIFIED TOLERANCES		东莞市汉博电子科技有限公司 DONGGUAN HANBO TECHNOLOGY CO., LTD	
DECIMALS:	ANGLES:	TITLE	
X : $\pm 0.30$	X : $\pm 2^{\circ}$	DWN	xiong
X.X : $\pm 0.20$	X.X : $\pm 1^{\circ}$	CHKD	lee
X.XX : $\pm 0.10$		APVD	wang
		PART NO. MC-276-EP24-003	
		SCALE: 1:1	UNIT: mm
		SIZE: A4	SHEET: 10F 1
		REV: A4	
CUSTOMER COPY			