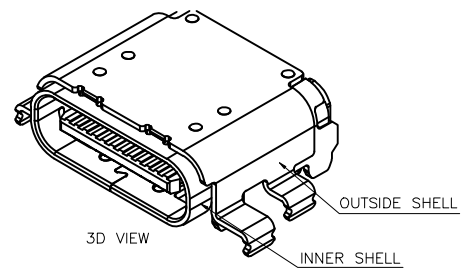
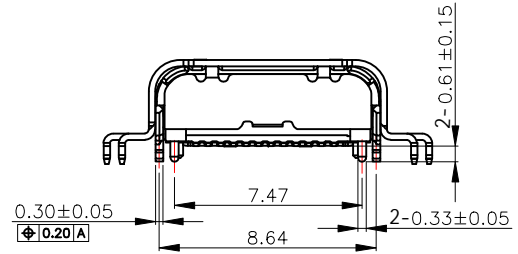
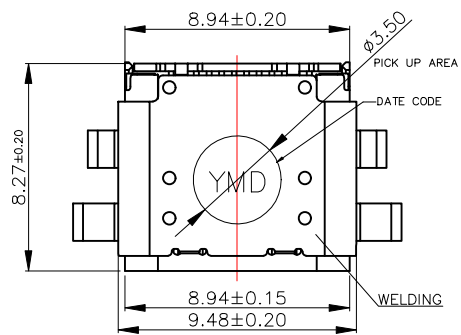




REV.	ECN NO OR DESCRIPTION	REVISED	DATE

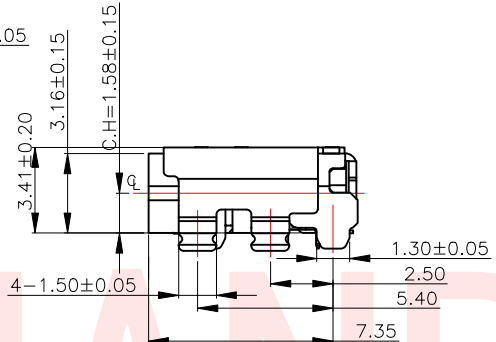
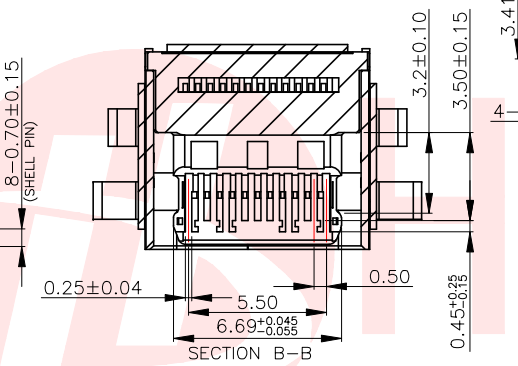
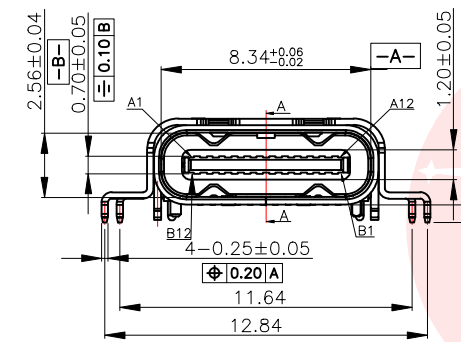


NOTE/注释:

- SPECIFICATION/规格:
  - Rated current (额定电流): 5.0 A
  - Voltage rating (额定电压): 5V AC
  - Contact Resistance (接触电阻): 40 m Ω Max.
  - Insulation Resistance (绝缘电阻): 100MΩ Min.
  - Withstanding voltage (耐压): 100 VAC/minute
  - Mating force (插入力): 5~20N
  - Unmating force (拔出力): 8~20N
  - Durability Cycle (寿命循环): 10,000 cycle
  - Operating temperature (工作温度): -40°~+85°

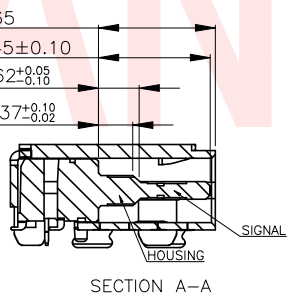
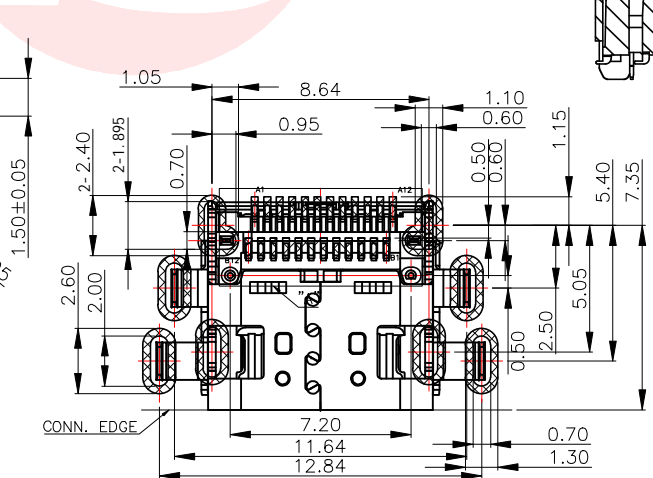
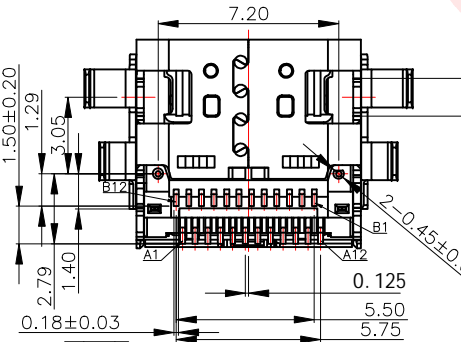
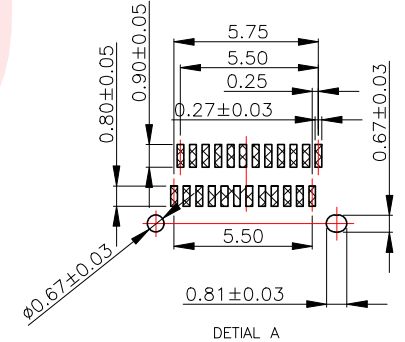
PART NO.  
MC-274-EP24ZXX-003

- 001=镀金1u"
- 003=镀金3u"
- 005=镀金5u"
- 015=镀金15u"
- 030=镀金30u"



USB TYPE-C PIN ASSIGNMENTS:

A12	GND	B1	GND
A11	SSRXp2	B2	SSTXp2
A10	SSRXn2	B3	SSTXn2
A9	VBUS	B4	VBUS
A8	SBU1	B5	CC2
A7	Dn1	B6	Dp2
A6	Dp1	B7	Dn2
A5	CC1	B8	SBU2
A4	VBUS	B9	VBUS
A3	SSTXn1	B10	SSRXn1
A2	SSTXp1	B11	SSRXp1
A1	GND	B12	GND
PIN	SIGNAL NAME	PIN	SIGNAL NAME



ITEM	DESCRIPTION	Q'TY	MATERIAL	FINISH	REMARK
6	OUT SHELL	1	SUS304	30U" NICKEL PLATING	0.25mm
5	INT SHELL	1	SUS304	30U" NICKEL PLATING	0.3mm
4	MAIN HOUSING	1	HIGH TEMPERATURE	PA9T BLACK	UL94V-0
3	MID PLATE	1	SUS301	30U" NICKEL PLATING	0.15mm
2	BOTTOM TERMINAL	1	COPPER ALLOY	MATING SIDE: SEE PART NO	0.12mm
1	TOP TERMINAL	1	COPPER ALLOY	SOLDER TAIL: Gold FLASH, 50u" NICKEL OVERALL.	

UNLESS OTHERWISE SPECIFIED TOLERANCES

东莞市汉博电子科技有限公司  
DONGGUAN HANBO TECHNOLOGY CO., LTD

DECIMALS: ANGLES:  
X :±0.30 X :±2°  
X.X :±0.20 X.X :±1°  
X.XX :±0.10

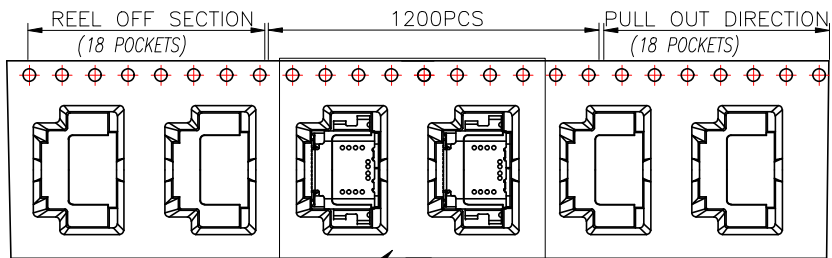
TITLE	TYPE C 4.0母座有后盖双壳版上有DIP脚CH=1.57,L=8.17壳脚长0.6			
DWN	xiong	PART NO. MC-274-EP24Z06-003		
CHKD	lee	SCALE: 1:1	UNIT: mm	⊕
APVD	wang	SIZE: A4	SHEET: 10F 1	REV: A4

CUSTOMER COPY

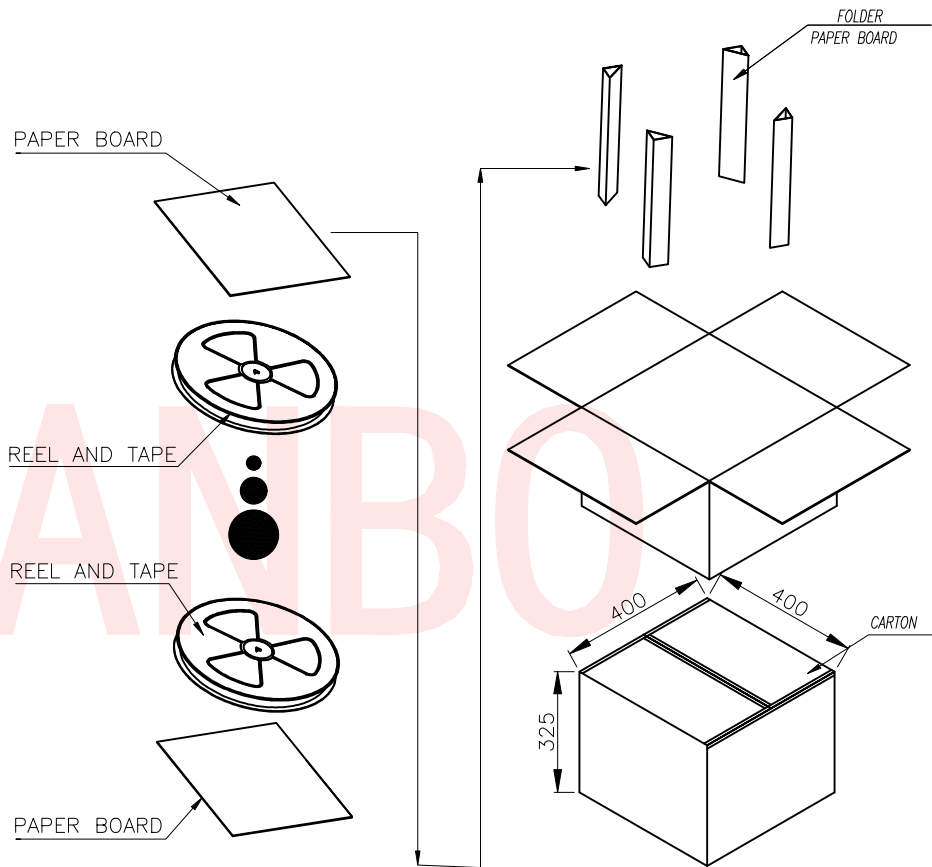
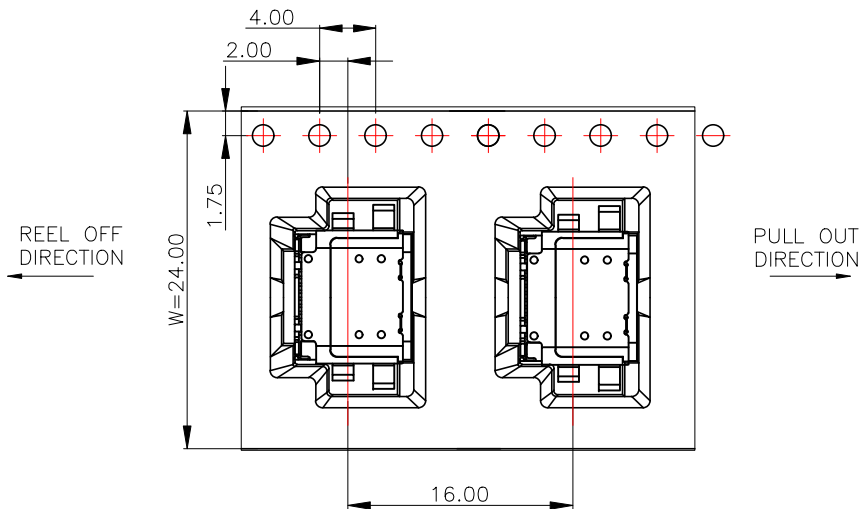
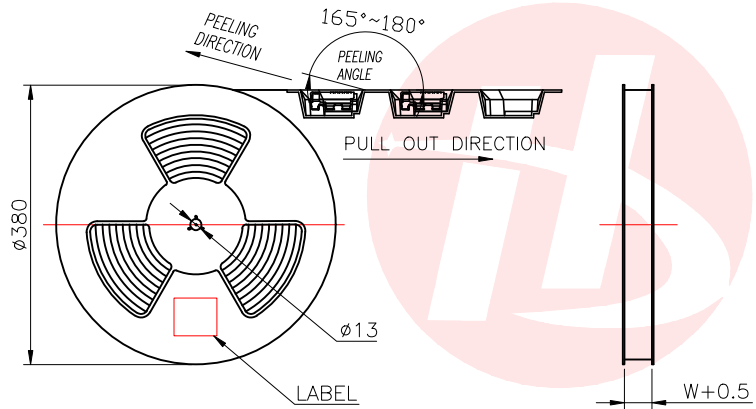
USB TYPE C PLUG



REV.	ECN NO OR DESCRIPTION	REVISED	DATE



SEE DETAIL X



	REEL	CARTON
CONNECTOR (PCS)	1200	12000
UNLESS OTHERWISE SPECIFIED TOLERANCES	东莞市汉博电子科技有限公司 DONGGUAN HANBO TECHNOLOGY CO., LTD	
DECIMALS: X :±0.30 X.X :±0.20 X.XX :±0.10	TITLE TYPE C 4.0母座有后盖双壳板上有DIP脚CH=1.57,L=8.17壳脚长0.6 DWN xiong PART NO. MC-274-EP24Z06-003 CHKD lee SCALE:1:1 UNIT: mm APVD wang SIZE: A4 SHEET:10F 1 REV: A4	
ANGLES: X :±2° X.X :±1°	CUSTOMER COPY	