



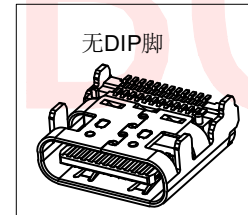
REV.	ECN NO OR DESCRIPTION	REVISED	DATE

NOTE/注释:

1. SPECIFICATION/规格:
  - 1.1 Rated current (额定电流) : 5.0 A
  - 1.2 Voltage rating (额定电压) : 5V AC
  - 1.3 Contact Resistance (接触阻抗) : 40 mΩ Max.
  - 1.4 Insulation Resistance (绝缘阻抗) : 100MΩ Min.
  - 1.5 Withstanding voltage (耐电压) : 100 VAC/minute
  - 1.6 Mating force (插入力) : 5~20N.
  - 1.7 Unmating force (拔出力) : 8~20N.
  - 1.8 Durability Cycle(寿命循环):10,000 cycle
  - 1.9 Operating temperature (工作温度) : -40°~+85°

PART NO.  
MC-271-EP24ZXX-XXX

- 001=镀金1u"
- 003=镀金3u"
- 005=镀金5u"
- 015=镀金15u"
- 030=镀金30u"



PIN ASSIGNMENT:

A1	A2	A3	A4	A5	A6	A7	A8	A9	A10	A11	A12
GND	TX1+	TX1-	Vbus	CC1	D+	D-	SBU1	Vbus	RX2-	RX2+	GND
GND	RX1+	RX1-	Vbus	SBU2	D-	D+	CC2	Vbus	TX2-	TX2+	GND
B12	B11	B10	B9	B8	B7	B6	B5	B4	B3	B2	B1

4	TERMINAL	24	COPPER ALLOY	MATING SIDE:SEE PART NO; SOLDER TAIL:Gold FLASH, 50u" NICKEL OVERALL.	T=0.12
3	SHELL	1	SUS304	30U" NICKEL PLATING	T=0.30
2	MID PLATE	1	SUS301-H	RINSE	T=0.15
1	MAIN HOUSING	1	HIGH TEMPERATURE	PA9T BLACK	UL94V-0
ITEM	DESCRIPTION	Q'TY	MATERIAL	FINISH	REMARK
BILL OF MATERIAL					

UNLESS OTHERWISE SPECIFIED TOLERANCES

DECIMALS: X :±0.30 X.X :±0.20 X.XX :±0.10

ANGLES: X :±2° X.X :±1°

**东莞市汉博电子科技有限公司**  
DONGGUAN HANBO TECHNOLOGY CO., LTD

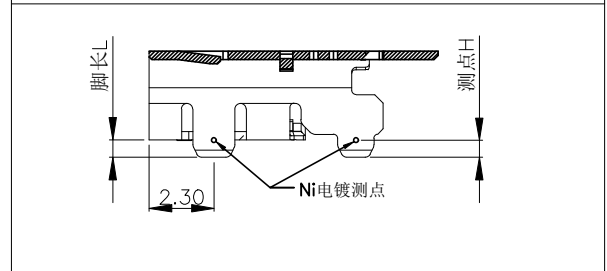
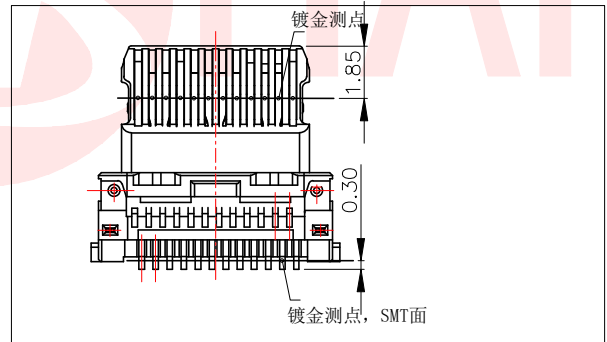
TITLE: USB TYPE C 4.0母座有后盖单壳双贴SMT 板上平贴CH=1.57,L=8.17

DWN xiong PART NO. MC-271-EP24ZXX-003

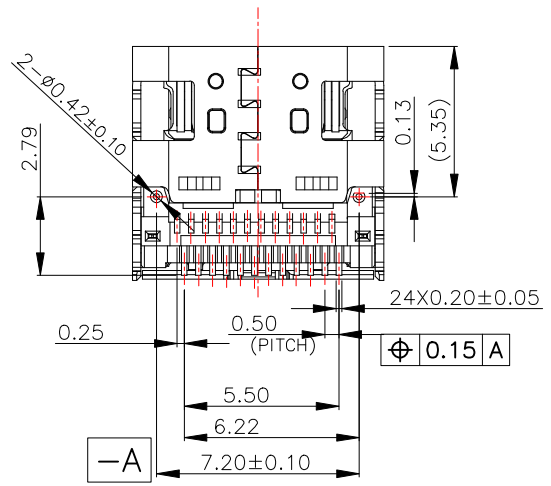
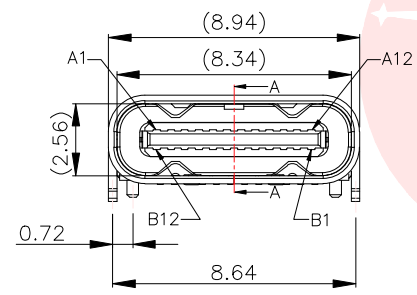
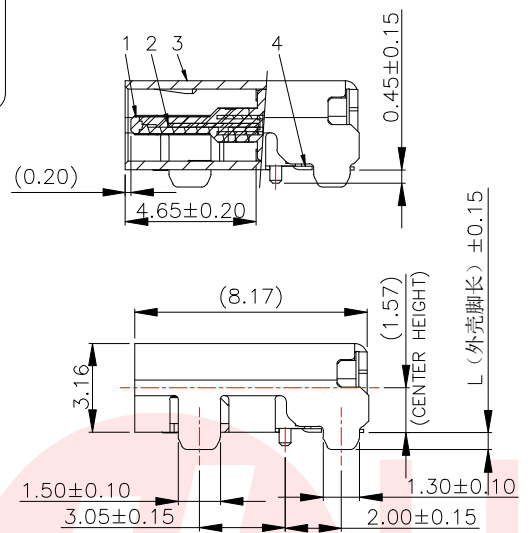
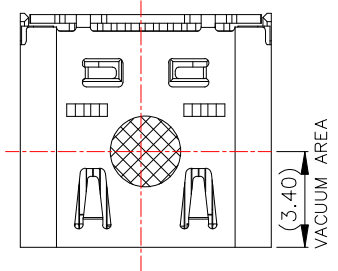
CHKD lee SCALE:1:1 UNIT: mm

APVD wang SIZE: A4 SHEET:10F 1 REV: A4

CUSTOMER COPY



MC-271-EP24Z16-003	1.60	1.50
MC-271-EP24Z12-003	1.20	1.10
MC-271-EP24Z09-003	0.90	0.90
MC-271-EP24Z06-003	0.60	0.60
料号	壳脚长L	镍测点H

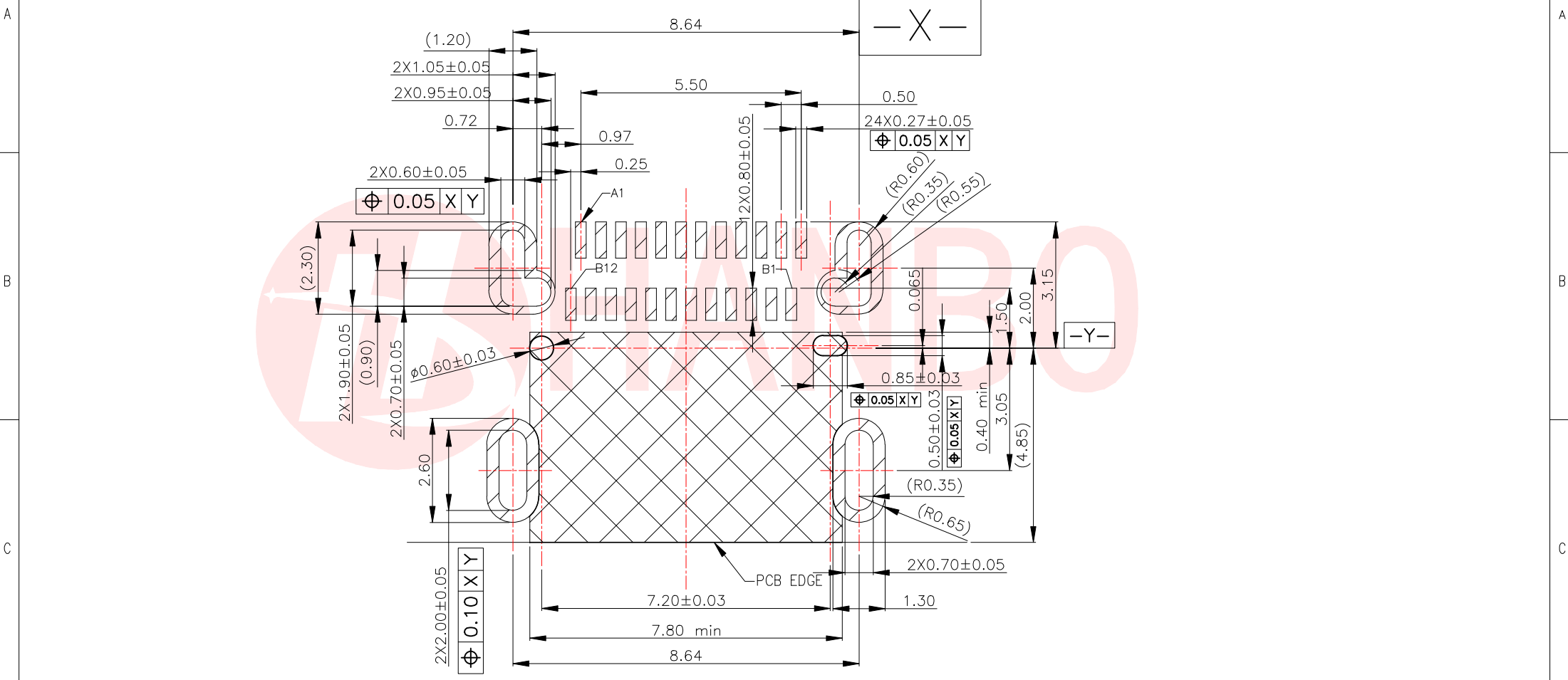


备注: 壳脚长为1.2, 1.6 的两款成品壳脚有收腰

收腰



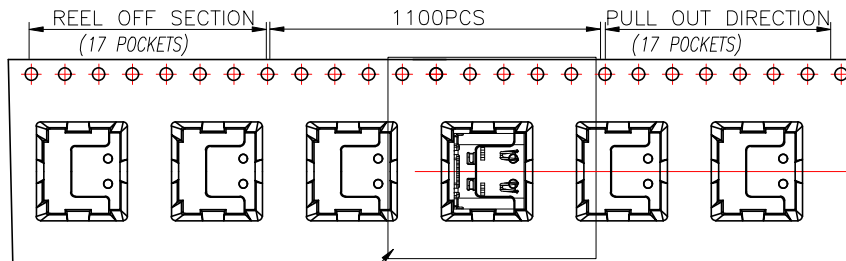
REV.	ECN NO OR DESCRIPTION	REVISED	DATE



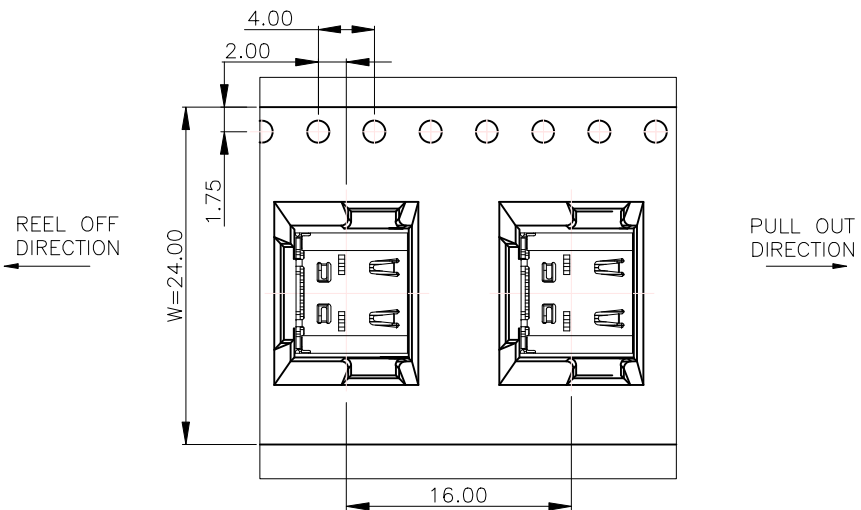
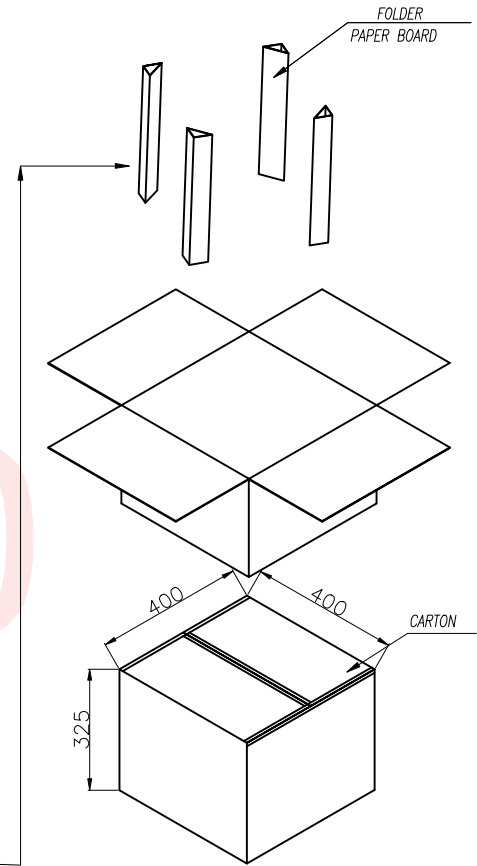
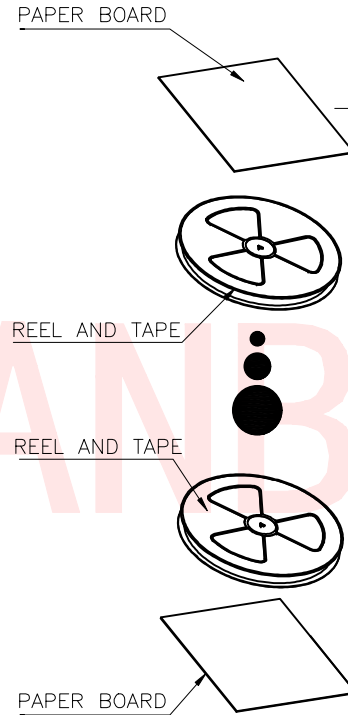
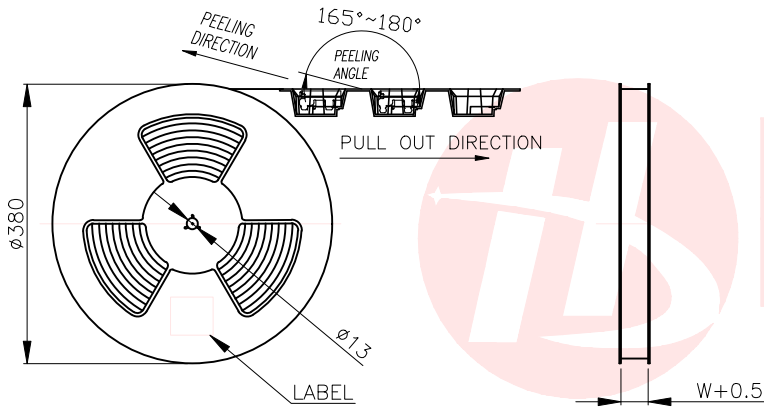
UNLESS OTHERWISE SPECIFIED TOLERANCES		东莞市汉博电子科技有限公司 DONGGUAN HANBO TECHNOLOGY CO., LTD			
DECIMALS:	ANGLES:	TITLE USB TYPE C 4.0母座有后盖单壳双贴SMT 板上平贴CH=1.57,L=8.17			
X :±0.30	X :±2°	DWN	xiong	PART NO. MC-271-EP24ZXX-003	
X.X :±0.20	X.X :±1°	CHKD	lee	SCALE:1:1	UNIT: mm
X.XX :±0.10		APVD	wang	SIZE: A4	SHEET:10F 1
		REV: A4			
CUSTOMER COPY					



REV.	ECN NO OR DESCRIPTION	REVISED	DATE



SEE DETAIL X



		REEL	CARTON
CONNECTOR (PCS)		1100	11000
UNLESS OTHERWISE SPECIFIED TOLERANCES		东莞市汉博电子科技有限公司 DONGGUAN HANBO TECHNOLOGY CO., LTD	
DECIMALS:	ANGLES:	TITLE USB TYPE C 4.0母座有后盖单壳双贴SMT 板上平贴CH=1.57,L=8.17	
X : $\pm 0.30$	X : $\pm 2^{\circ}$	DWN	xiong PART NO. MC-271-EP24ZXX-003
X.X : $\pm 0.20$	X.X : $\pm 1^{\circ}$	CHKD	lee SCALE:1:1 UNIT: mm
X.XX : $\pm 0.10$		APVD	wang SIZE: A4 SHEET:10F 1 REV: A4
CUSTOMER COPY			