

REV.	ECN NO OR DESCRIPTION	REVISED	DATE

SPECIFICATION

- SPECIFICATION /规格:
  - Rated current (额定电流): 5.0 A
  - Voltage rating (额定电压): 5V AC
  - Contact Resistance (接触阻抗): 40 mΩ Max.
  - Insulation Resistance (绝缘阻抗): 100MΩ Min.
  - Withstanding voltage (耐电压): 100 VAC/minute
  - Mating force (插入力): 5~20N
  - Unmating force (拔出力): 8~20N
  - Durability Cycle (寿命循环): 10,000 cycle
  - Operating temperature (工作温度): -40°~+85°

PART NO.  
MC-269-EC108P24-XXX

- 001=镀金1u"
- 003=镀金3u"
- 005=镀金5u"
- 015=镀金15u"
- 030=镀金30u"

PIN ASSIGNMENT

A1	A2	A3	A4	A5	A6	A7	A8	A9	A10	A11	A12
GND	TX1+	TX1-	Vbus	CC1	D+	D-	SBU1	Vbus	RX2-	RX2+	GND
GND	RX1+	RX1-	Vbus	SBU2	D-	D+	CC2	Vbus	TX2-	TX2+	GND
B12	B11	B10	B9	B8	B7	B6	B5	B4	B3	B2	B1

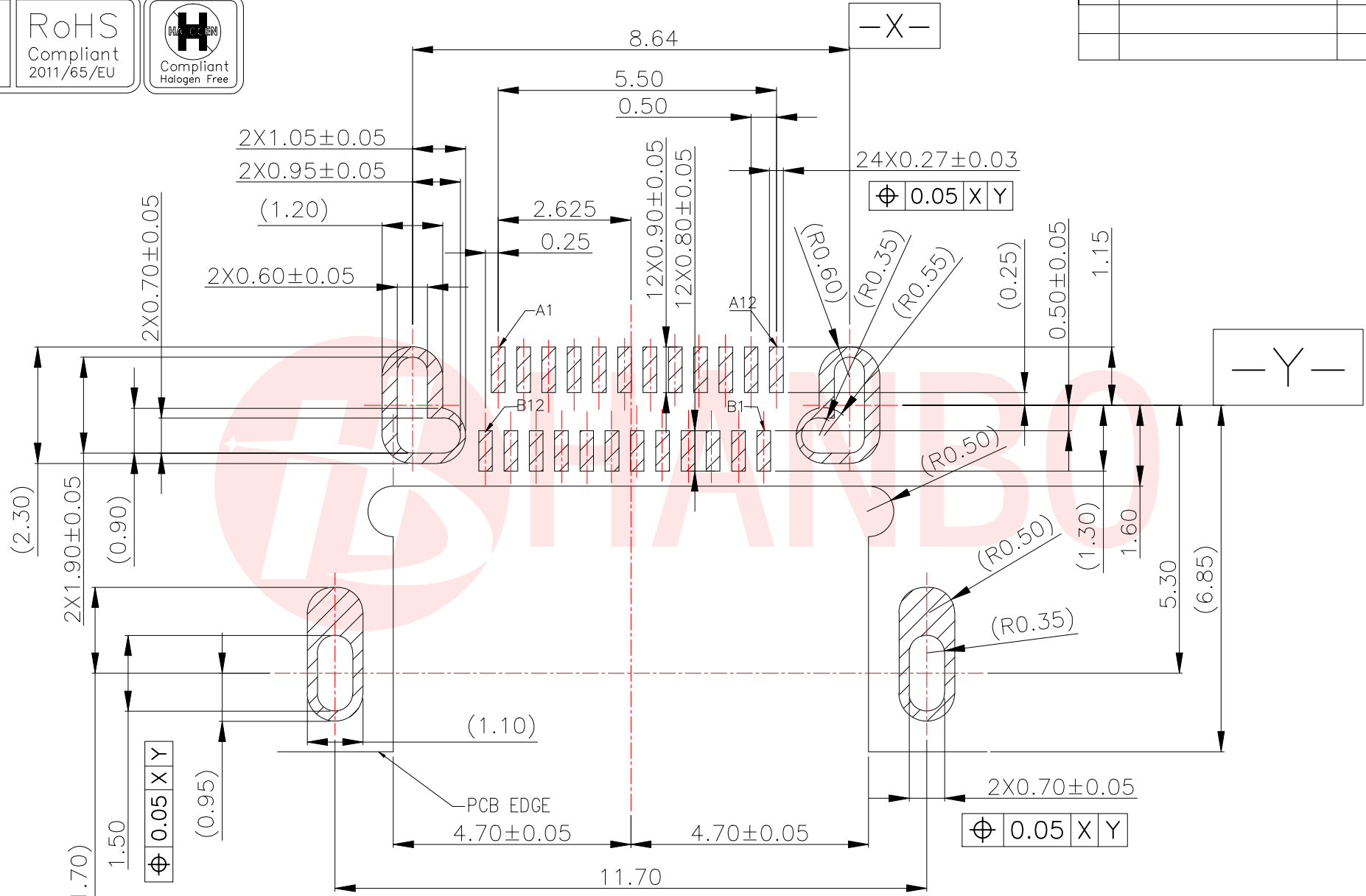
4	TERMINAL	24	COPPER ALLOY	MATING SIDE:SEE PART NO; SOLDER TAIL:Gold FLASH, 50u" NICKEL OVERALL.	T=0.12
3	SHELL	1	SUS304	30U" NICKEL PLATING	T=0.30
2	MID PLATE	1	SUS301-H	30U" NICKEL PLATING	T=0.15
1	MAIN HOUSING	1	HIGH TEMPERATURE	PA9T BLACK	UL94V-0
ITEM	DESCRIPTION	Q'TY	MATERIAL	FINISH	REMARK

BILL OF MATERIAL

UNLESS OTHERWISE SPECIFIED TOLERANCES		东莞市汉博电子科技有限公司 DONGGUAN HANBO TECHNOLOGY CO., LTD			
DECIMALS:	ANGLES:	TITLE USB TYPE C 4.0 24P母座无后盖单壳双贴沉板1.08带DIP牌CH=0.5,L=9.17			
X :±0.30	X :±2°	DWN	xiong	PART NO. MC-269-EC108P24-003	
X.X :±0.20	X.X :±1°	CHKD	lee	SCALE:1:1	UNIT: mm
X.XX :±0.10		APVD	wang	SIZE: A4	SHEET:10F 1
CUSTOMER COPY					



REV.	ECN NO OR DESCRIPTION	REVISED	DATE



UNLESS OTHERWISE SPECIFIED TOLERANCES

DECIMALS:	ANGLES:
X :±0.30	X :±2°
X.X :±0.20	X.X :±1°
X.XX :±0.10	

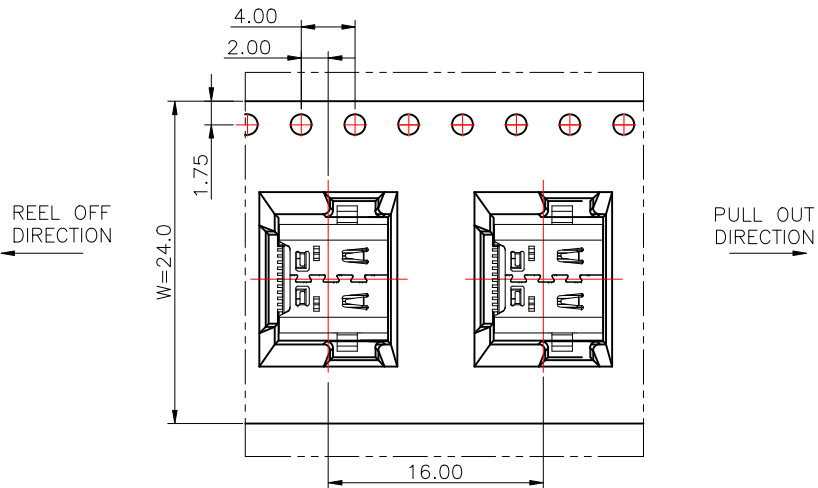
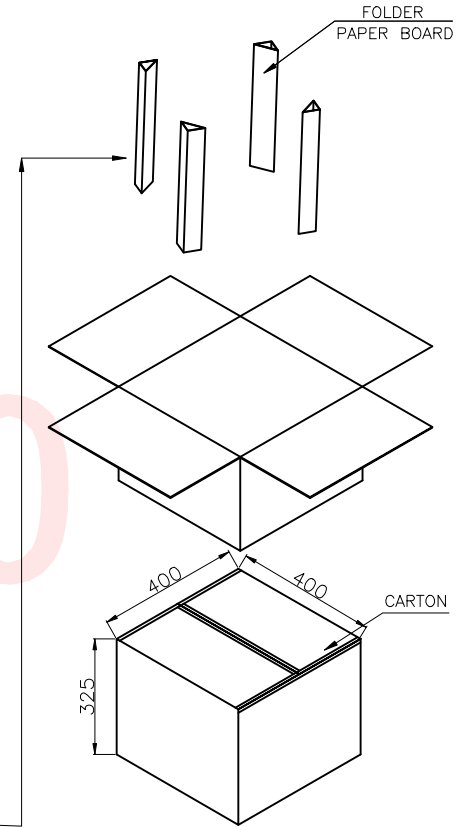
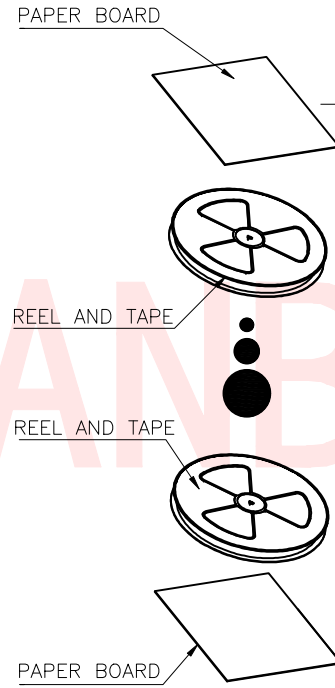
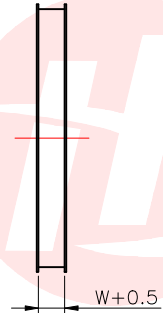
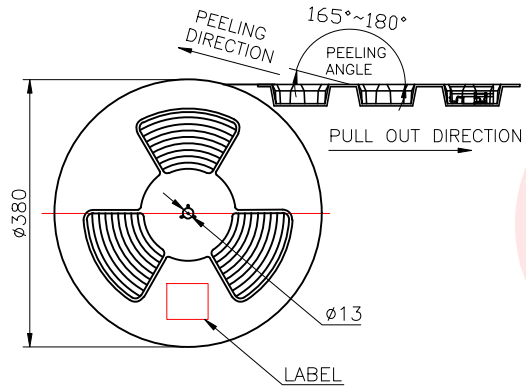
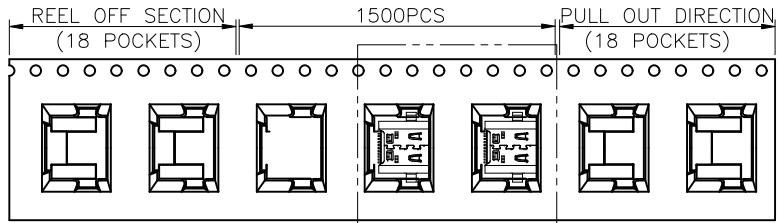
东莞市汉博电子科技有限公司  
DONGGUAN HANBO TECHNOLOGY CO., LTD

TITLE	USB TYPE C 4.0 24P母座无后盖单壳双贴沉板1.08带DIP脚CH=0.5,L=9.17		
DWN	xiong	PART NO.	MC-269-EC108P24-003
CHKD	lee	SCALE:1:1	UNIT: mm
APVD	wang	SIZE: A4	SHEET:10F 1 REV: A4

CUSTOMER COPY



REV.	ECN NO OR DESCRIPTION	REVISED	DATE



		REEL	CARTON
CONNECTOR (PCS)		1500	15000
UNLESS OTHERWISE SPECIFIED TOLERANCES		东莞市汉博电子科技有限公司 DONGGUAN HANBO TECHNOLOGY CO., LTD	
DECIMALS:	ANGLES:	TITLE USB TYPE C 4.0 24P母座无后盖单壳双贴沉板1.08带DIP脚CH=0.5,L=9.17	
X :±0.30	X :±2°	DWN	xiong PART NO. MC-265C
X.X :±0.20	X.X :±1°	CHKD	lee SCALE:1:1 UNIT: mm
X.XX :±0.10		APVD	wang SIZE: A4 SHEET:10F 1 REV: A4
CUSTOMER COPY			