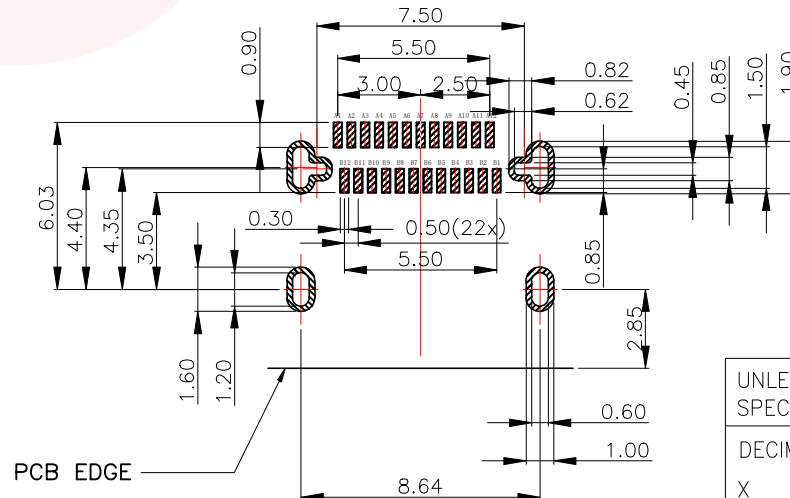
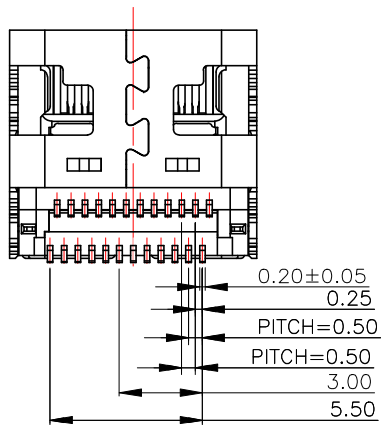


NOTE:

1. MATERIAL SPECIFICATION:
 1. HOUSING: HIGH TEMPERATURE RESISTANT PLASTIC, UL94 V-0.
 2. CONTACTS: COPPER ALLOY
 3. MID PLATE: STAINLESS STEEL
 4. SHELL: STAINLESS STEEL
 5. EMI PLATE: STAINLESS STEEL
2. PLATING SPECIFICATION:
 - 2-1. CONTACTS:
 - Ni 50u" MIN. UNDER PLATED OVER ALL.
 - AU PLATED ON THE FUNCTIONAL AREA OF CONTACT.
 - (GOLD PLATING THICKNESS FOLLOW THE P/N)
 - PLATING SPECIFICATIONS OF THE SOLDER AREA FOLLOW THE P/N
 - 2-2. SHELL:
 - Ni 30u" MIN. UNDER PLATED OVER ALL.
 - 2-3. MID PLATE:
 - Ni 30u" MIN. UNDER PLATED OVER ALL.
 - Sn 80u" MIN. PLATED OVER ALL
 - 2-4. EMI PLATE:
 - Ni 50u" MIN. UNDER PLATED OVER ALL.
3. MECHANICAL PERFORMANCE,
 - 3-1. INSERTION FORCE: 0.5-2.0kgf.
 - 3-2. REMOVAL FORCE: 0.8kgf-2.0kgf.
 - 3-3. DURABILITY: 10000 CYCLES.
4. ELECTRICAL PERFORMANCE,
 - 4-1. CURRENT RATING: 5.0A
VOLTAGE RATING: 5.0V
 - 4-2. LLCR:
 - VBUS & GND PINS AND OTHER PINS: 40mA/PIN MAX.
 - LLCR MAX. CHANGE OF ALL PINS: 10mA.
 - 4-3. INSULATION RESISTANCE: 100MΩ MIN
 - 4-4. DIELECTRIC WITHSTAND VOLTAGE, AC 100V FOR 1 MINUTE.
5. ENVIRONMENTAL PERFORMANCE:
 - OPERATING TEMPERATURE: -25°C~+85°C.
6. IR REFLOW:
 - THE PEAK TEMPERATURE ON THE BOARD SHALL BE MAINTAINED FOR 10 SECONDS AT 260°C.

USB TYPE-C PIN ASSIGNMENTS

| PIN NUMBER | SIGNAL NAME | PIN NUMBER | SIGNAL NAME |
|------------|-------------|------------|-------------|
| A1 | GND | B12 | GND |
| A2 | TXp1 | B11 | RXp1 |
| A3 | TXn1 | B10 | RXn1 |
| A4 | VBUS | B9 | VBUS |
| A5 | CC1 | B8 | SBU2 |
| A6 | Dp1 | B7 | Dn2 |
| A7 | Dn1 | B6 | Dp2 |
| A8 | SBU1 | B5 | CC2 |
| A9 | VBUS | B4 | VBUS |
| A10 | RXn2 | B3 | TXn2 |
| A11 | RXp2 | B2 | TXp2 |
| A12 | GND | B1 | GND |



RECOMMENDED PCB LAYOUT (TOP VIEW)
THICKNESS 1.20MM; DEFAULT TOLERANCE: ±0.05

UNLESS OTHERWISE SPECIFIED TOLERANCES

DECIMALS: ANGLES:
X :±0.30 X :±2°
X.X :±0.20 X.X :±1°
X.XX :±0.10



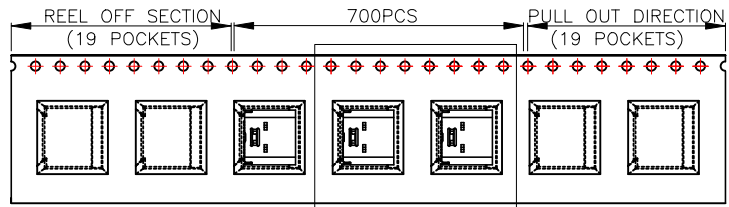
东莞市汉博电子科技有限公司
DONGGUAN HANBO TECHNOLOGY CO., LTD

| | | | | |
|-------|---------------------------------------|-----------------|--------------|---------|
| TITLE | USB 4.0 CF 24PIN TOP MOUNT SMT CH=2.0 | | | |
| DWN | xiong | PART NO. MC-264 | | |
| CHKD | lee | SCALE: 1:1 | UNIT: mm | |
| APVD | wang | SIZE: A4 | SHEET: 10F 1 | REV: A4 |

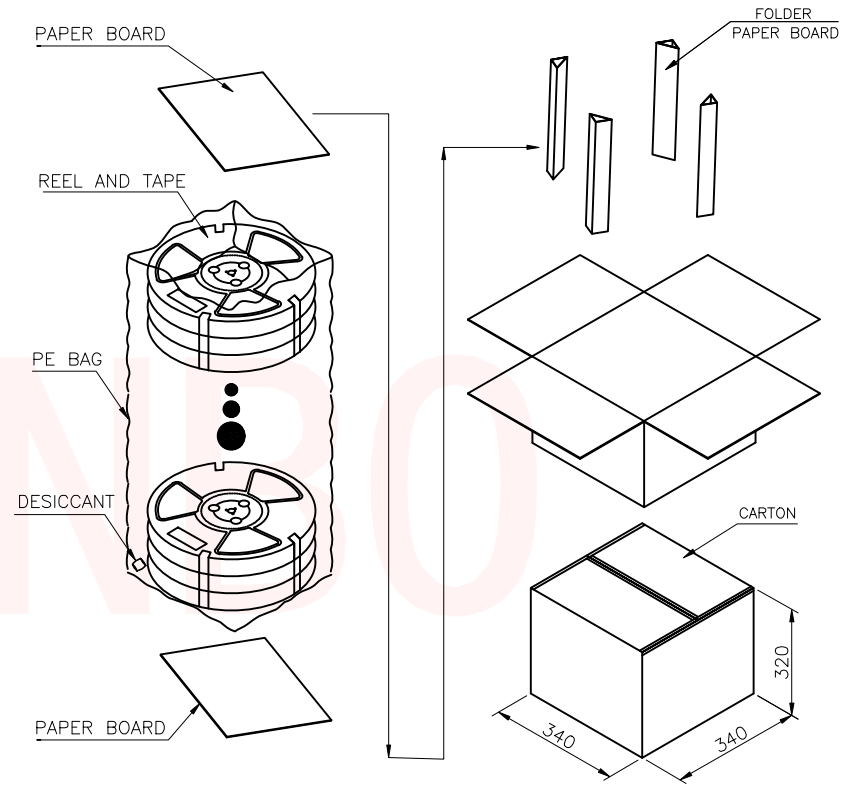
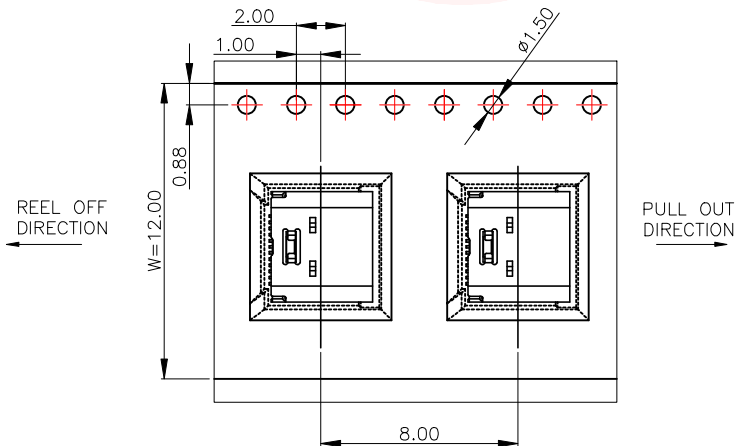
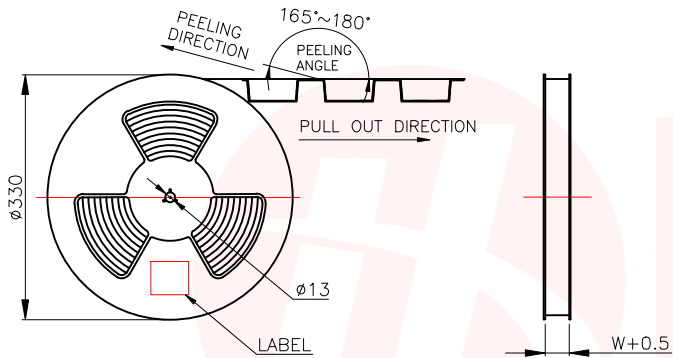
CUSTOMER COPY



| REV. | ECN NO OR DESCRIPTION | REVISED | DATE |
|------|-----------------------|---------|------|
| | | | |
| | | | |



SEE DETAIL X



| | | REEL | CARTON |
|---------------------------------------|----------|---|-----------------------------------|
| CONNECTOR (PCS) | | 700 | 7000 |
| UNLESS OTHERWISE SPECIFIED TOLERANCES | | 东莞市汉博电子科技有限公司 DONGGUAN HANBO TECHNOLOGY CO., LTD | |
| DECIMALS: ANGLES: | | TITLE: USB 4.0 CF 24PIN TOP MOUNT SMT CH=2.0 | |
| X :±0.30 | X :±2° | DWN | xiong PART NO. MC-264 |
| X.X :±0.20 | X.X :±1° | CHKD | lee SCALE:1:1 UNIT: mm |
| X.XX :±0.10 | | APVD | wang SIZE: A4 SHEET:10F 1 REV: A4 |
| CUSTOMER COPY | | | |