

REV.	ECN NO OR DESCRIPTION	REVISED	DATE

NOTES:
 1.MECHANICAL:
 MATING:5~20N
 WITHDRAWAL:8~20N
 DURABILITY:10000 CYCLES.
 2.ELECTRICAL:
 CURRENT:5A MAX
 VOLTAGE:30V MAX
 WITHSTANDING VOLTAGE:100V AC
 CONTACT RESISTANCE:40mΩ MAX(Initial) ,50mΩ MAX(TEST AFTER)
 INSULATION RESISTANCE:100MΩ MIN
 3.Raw material:
 HOUSING:Thermoplastics (LCP E130) Black
 TERMINAL:Copper alloy(C7025),T0.12mm
 MIDDLE SPRING:Stainless steel(SUS304),T0.10mm
 SHELL:Stainless steel(SUS304),T0.30mm
 4.Surface Coating:
 TERMINAL:Au 3u" MIN
 SHELL:Ni 50u" MIN
 FRONT SPRING:Ni 50u" MIN
 5.ENVIRONMENTAL:
 TEMPERATURE RANGE:-30°C ~ +85°C

USB TYPE-C FULL-FEATURED RECEPTACLE INTERFACE PIN ASSIGNMENTS

PIN	Signal Name	Description	PIN	Signal Name	Description
A1	GND	Ground return	B12	GND	Ground return
A4	Vbus	Bus Power	B9	Vbus	Bus Power
A5	CC1	Configuration Channel	B8	SBU2	Sideband Use (SBU)
A6	Dp1	Positive half of the USB 2.0 differential pair-Position 1	B7	Dn2	Negative half of the USB 2.0 differential pair-Position 2
A7	Dn1	Negative half of the USB 2.0 differential pair-Position 1	B6	Dp2	Positive half of the USB 2.0 differential pair-Position 2
A8	SBU1	Sideband Use (SBU)	B5	CC2	Configuration Channel
A9	Vbus	Bus Power	B4	Vbus	Bus Power
A12	GND	Ground return	B1	GND	Ground return

UNLESS OTHERWISE SPECIFIED TOLERANCES

DECIMALS: ANGLES:
 X :±0.30 X :±2°
 X.X :±0.20 X.X :±1°
 X.XX :±0.10

东莞市汉博电子科技有限公司
 DONGGUAN HANBO TECHNOLOGY CO., LTD

TITLE	USB TYPE C母座16PIN直立式10.5			
DWN	xiong	PART NO. MC-131-AP16H105		
CHKD	lee	SCALE:1:1	UNIT: mm	
APVD	wang	SIZE: A4	SHEET:10F 1	REV: A4

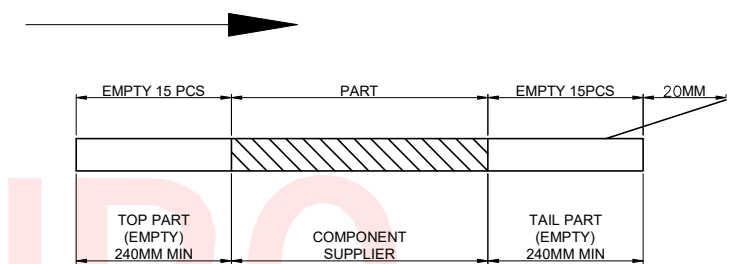
CUSTOMER COPY



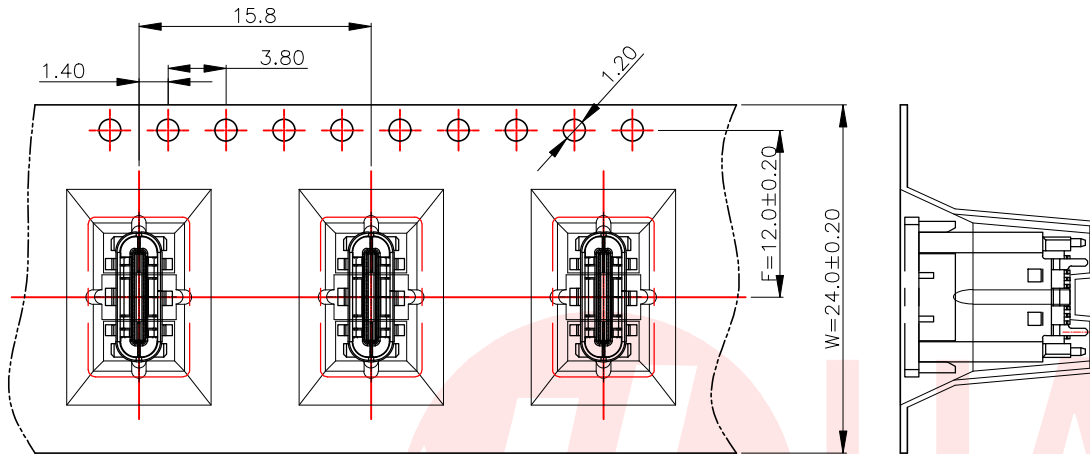
REV.	ECN NO OR DESCRIPTION	REVISED	DATE

NOTES

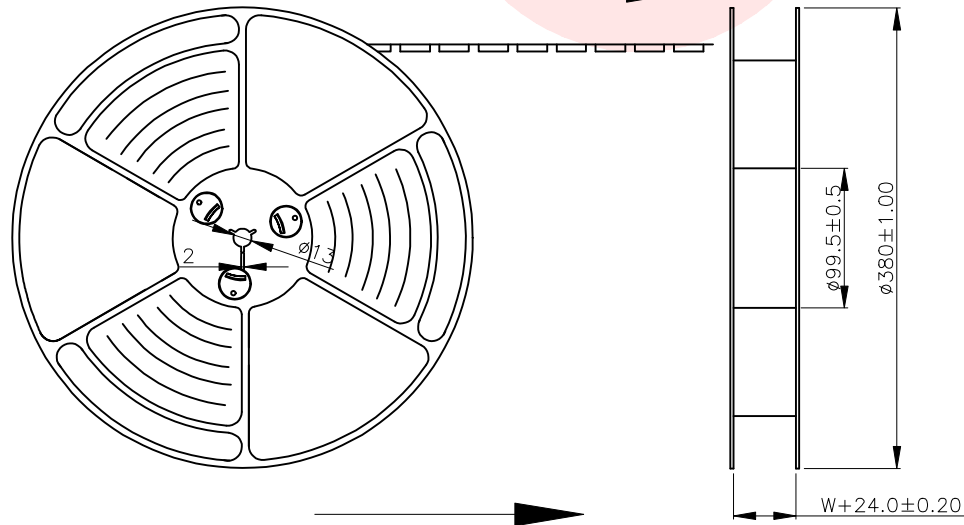
1. 帶子引導長度
LEAD TAPE LENGTH
 出料方向
PULL OUT DIRECTEON



2. 出貨運輸過程中一定注意:
THIS REQUIREMENT SHOULD BE APPLIED AT SHIPMENT:
 卷帶在運輸過程中不能散開
PEELING OFF SHOULD NOT BE ALLOWED DURING TRANSPORTATION



出料方向
PULL OUT DIRECTEON



NOTE:

1. QUANTITY: 450 PCS/RELL, 2250PCS/CARTON.

UNLESS OTHERWISE SPECIFIED TOLERANCES		东莞市汉博电子科技有限公司 DONGGUAN HANBO TECHNOLOGY CO., LTD			
DECIMALS:	ANGLES:	TITLE	USB TYPE C 母座 16PIN 直立式 10.5		
X : ±0.30	X : ±2°	DWN	xiong	PART NO. MC-131-AP16H105	
X.X : ±0.20	X.X : ±1°	CHKD	lee	SCALE: 1:1	UNIT: mm
X.XX : ±0.10		APVD	wang	SIZE: A4	SHEET: 10F 1
CUSTOMER COPY					