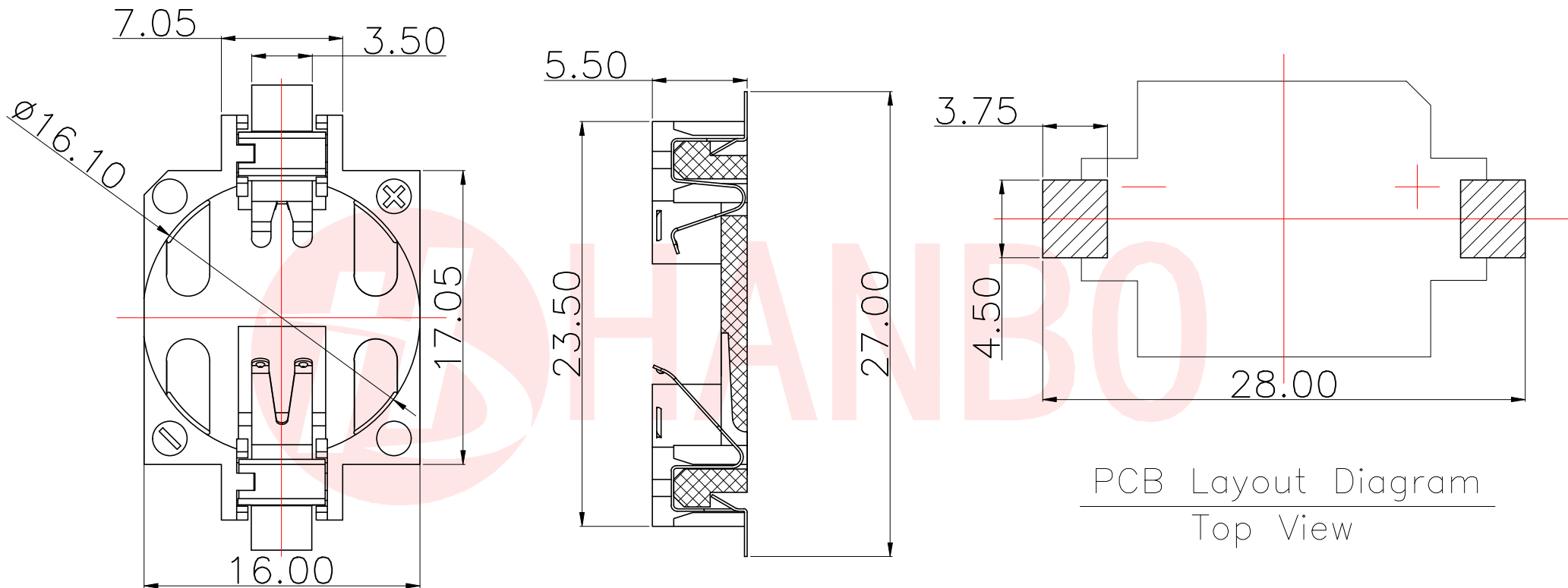




REV.	ECN NO OR DESCRIPTION	REVISED	DATE



PCB Layout Diagram
Top View

NOTES:

MATERIAL:

1. HOUSING: LCP UL94V-0,COLOR: BROWN,ROHS2.0+HF.
2. CONTACT:PHOSPHOR BRONZE
(SURFACE PLATING: Sn100U"-120U")
SEE ORDERING INFORMATION

ELECTRICAL CHARACTERISTICS:

1. CONTACT RESISTANCE: 30mΩ MAX.
2. INSULATION RESISTANCE: 1000MΩ MIN
3. DIELECTRIC WITHSTANDING VOLTAGE: 1000V AC RMS FOR 1 MINUTE.
4. OPERATING TEMPERATURE : -55°C TO +105°C.

UNLESS OTHERWISE SPECIFIED TOLERANCES		东莞市汉博电子科技有限公司 DONGGUAN HANBO TECHNOLOGY CO., LTD			
DECIMALS: X :±0.30 X.X :±0.20 X.XX :±0.10		ANGLES: X :±2° X.X :±1°		TITLE: BS Cell connector	
DWN	xiong	PART NO. BS-170C02			
CHKD	lee	SCALE:1:1	UNIT: mm		
APVD	wang	SIZE: A4	SHEET:10F 1	REV: A4	
CUSTOMER COPY					