



REV.	ECN NO OR DESCRIPTION	REVISED	DATE

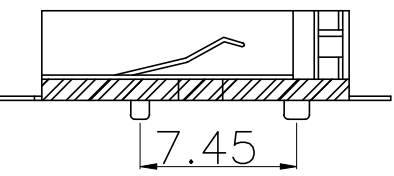
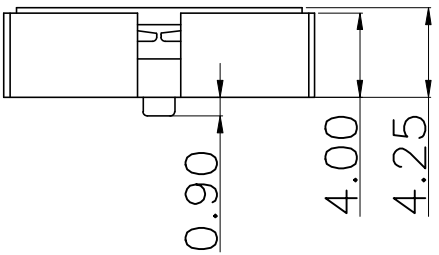
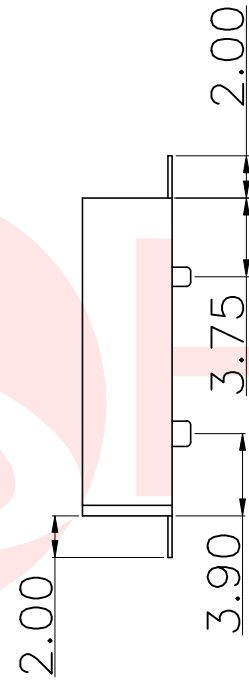
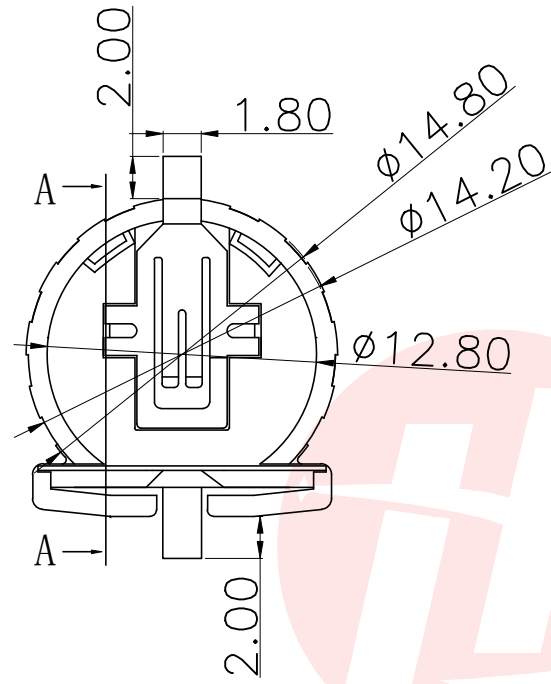
NOTES:

MATERIAL:

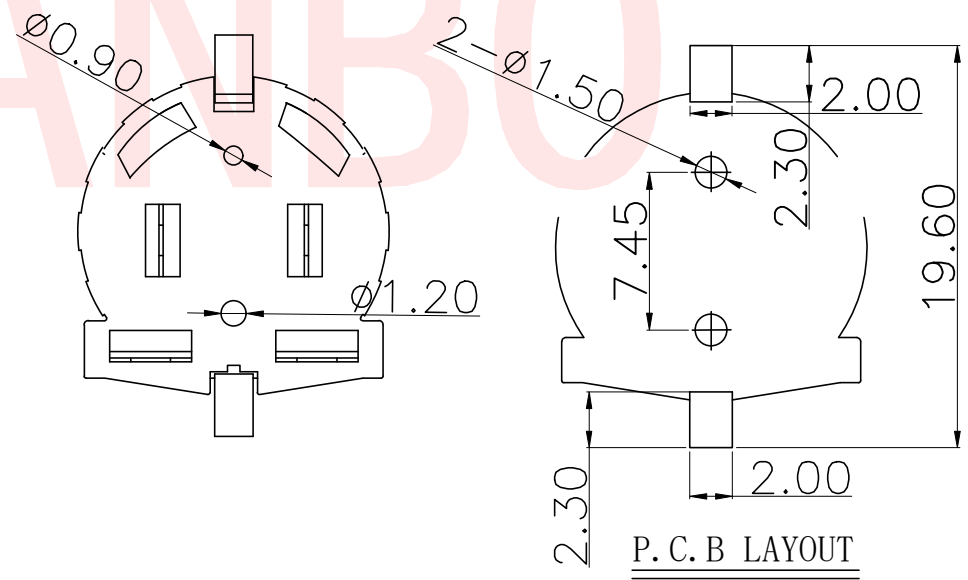
1. HOUSING: PPS,30%G.F UL94V-0,COLOR: BROWN
2. CONTACT: PHOSPHOR BRONZE.
3. CONTACT PLATED: GOLD FLASH PLATED ON OVER ALL,AND NICKEL UNDERPLATED OVER ALL.

ELECTRICAL CHARACTERISTICS:

1. CURRENT RATING: 1AMP.
2. VOLTAGE RATING: 250 VAC RMS.
3. CONTACT RESISTANCE: 30mΩ MAX.
4. INSULATION RESISTANCE: 1000MΩ MIN AT 500V DC.
5. DIELECTRIC WITHSTANDING VOLTAGE: 750V AC RMS FOR 1 MINUTE.
6. OPERATING TEMPERATURE : -55°C TO +105°C.



SECTION A-A



P. C. B LAYOUT

UNLESS OTHERWISE SPECIFIED TOLERANCES		东莞市汉博电子科技有限公司 DONGGUAN HANBO TECHNOLOGY CO., LTD			
DECIMALS:	ANGLES:	TITLE			
X :±0.30	X :±2°	BS Cell connector			
X.X :±0.20	X.X :±1°	DWN	xiong	PART NO. BS-170B02	
X.XX :±0.10		CHKD	lee	SCALE:1:1	UNIT: mm
		APVD	wang	SIZE: A4	SHEET:10F 1
					REV: A4
CUSTOMER COPY					