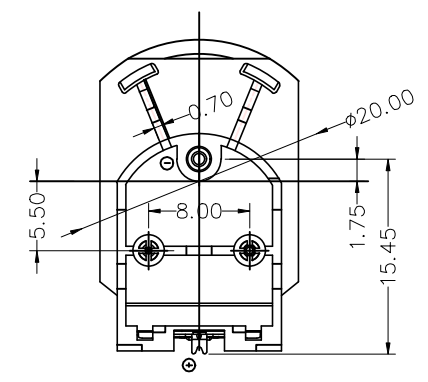
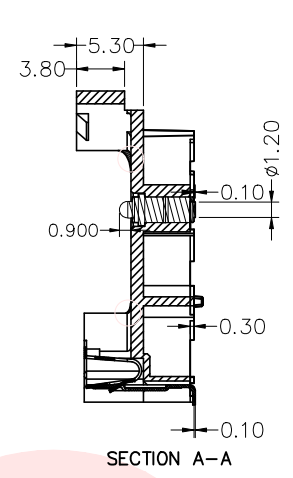
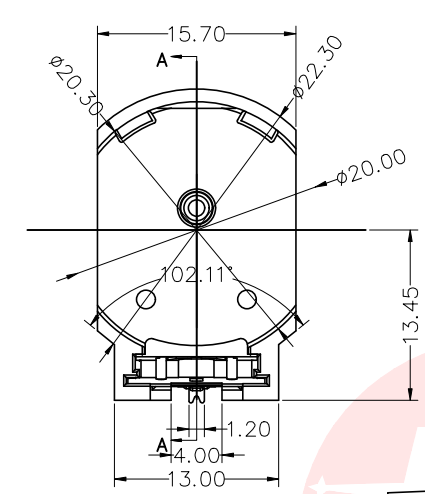




REV.	ECN NO OR DESCRIPTION	REVISED	DATE

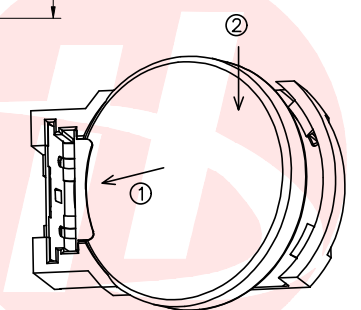
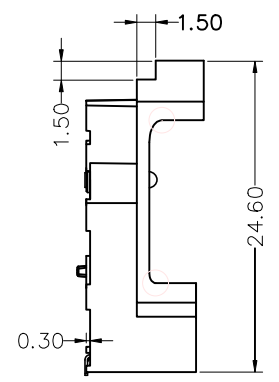


MATERIAL:

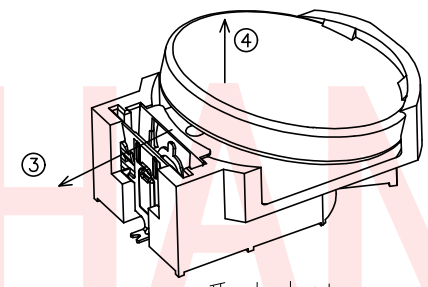
1. HOUSING: LCP OR PA9T30%G.F UL94V-0.
2. CONTACT: .PHOSPHOR BRONZE C5191-H
3. CONTACT PLATED: GOLD FLASH PLATED ON CONTACT AREA, TIN PLATED ON SOLDER TAILS, NICKEL UNDERPLATED OVER ALL.

ELECTRICAL CHARACTERISTICS:

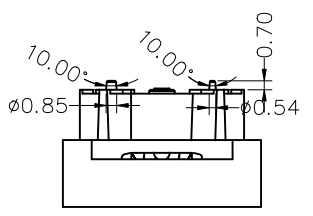
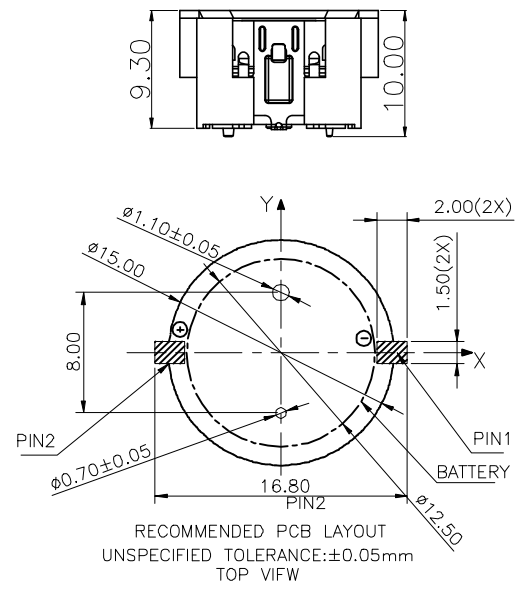
1. CURRENT RATING: 3AMP.
2. CONTACT RESISTANCE: 30m MAX.
3. INSULATION RESISTANCE: 1000M MIN AT 500V DC.
4. DIELECTRIC WITHSTANDING VOLTAGE: 500V AC RMS FOR 1 MINUTE.
5. OPERATING TEMPERATURE : -55°C TO +105°C.



装电池



取出电池



注意事项

2032 电池	
pogo pin	黄铜C3604; 镀全金1U 镀镍底30u"Min
弹片	磷铜C5191; 镀全金1U 镀镍底30u"Min
胶芯本体	LCP OR PA9T UL94-V0; 颜色: 黑色
端子	磷铜C5191; 镀金1U 镀镍底30u"Min

UNLESS OTHERWISE SPECIFIED TOLERANCES



DECIMALS:	ANGLES:
X : ±0.30	X : ±2°
X.X : ±0.20	X.X : ±1°
X.XX : ±0.10	

TITLE	BS Cell connector			
DWN	xiong	PART NO. BS-170A02		
CHKD	lee	SCALE: 1:1	UNIT: mm	
APVD	wang	SIZE: A4	SHEET: 10F 1	REV: A4

CUSTOMER COPY