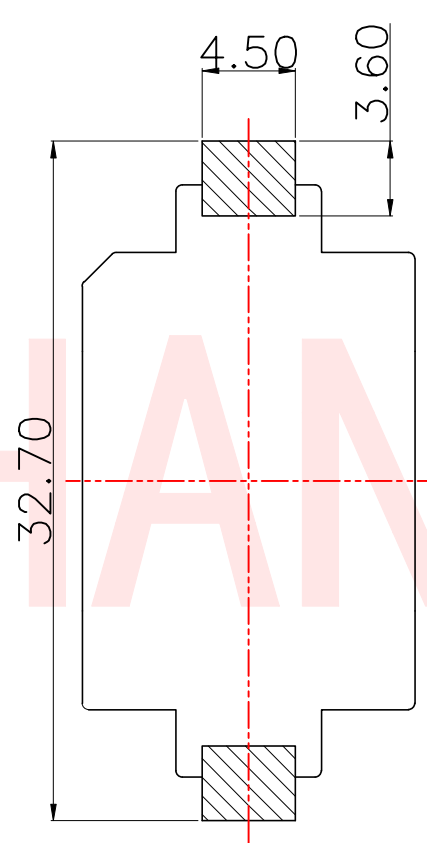
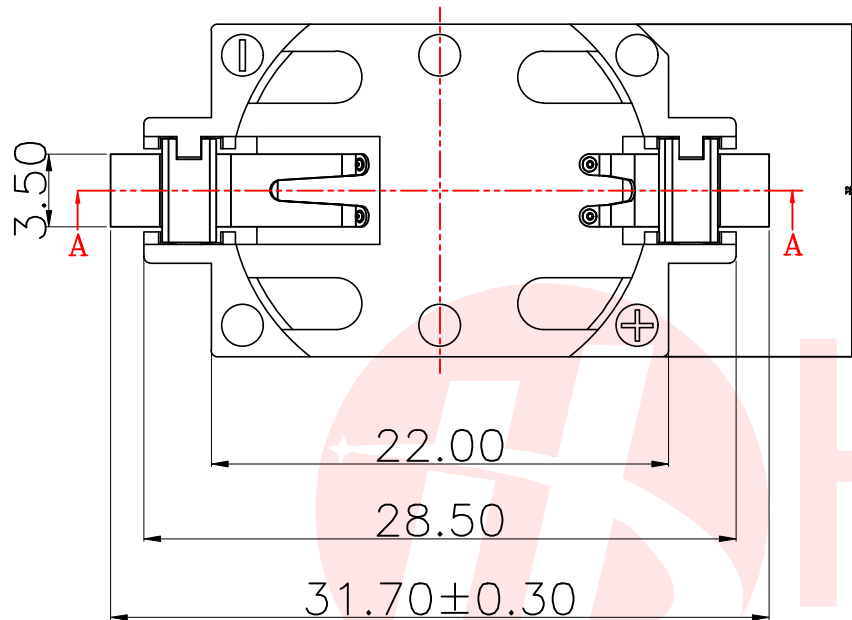
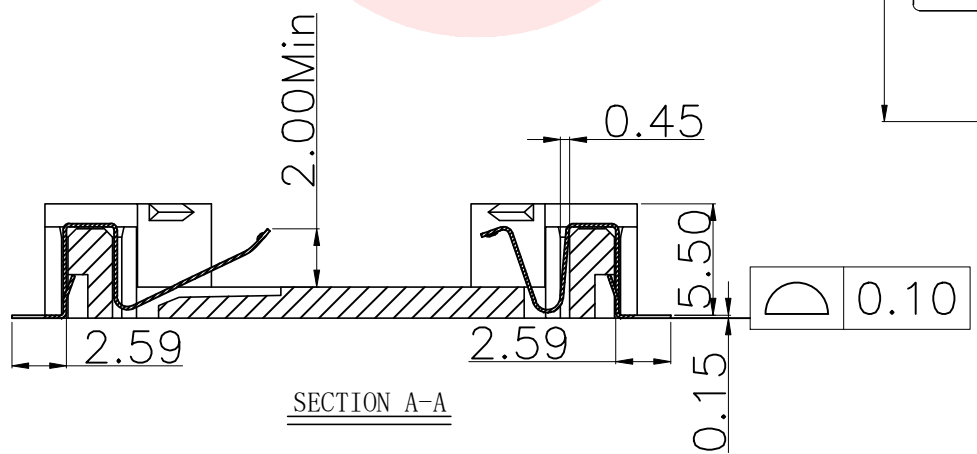




REV.	ECN NO OR DESCRIPTION	REVISED	DATE



P. C. B LAYOUT



SECTION A-A

NOTES:

MATERIAL:

1. HOUSING: LCP,30%G.F UL94V-0,COLOR: WHITE
2. CONTACT: PHOSPHOR BRONZE.
3. CONTACT PLATED: FULL GOLD PLATED ON OVER ALL, AND NICKEL UNDER PLATED OVER ALL.

ELECTRICAL CHARACTERISTICS:

1. CURRENT RATING: 1AMP.
2. VOLTAGE RATING: 250 VAC RMS.
3. CONTACT RESISTANCE: 30mΩ MAX.
4. INSULATION RESISTANCE: 1000MΩ MIN
5. DIELECTRIC WITHSTANDING VOLTAGE: 500V AC RMS FOR 1 MINUTE.
6. OPERATING TEMPERATURE : -55°C TO 105°C.

UNLESS OTHERWISE SPECIFIED TOLERANCES

DECIMALS:	ANGLES:
X :±0.30	X :±2°
X.X :±0.20	X.X :±1°
X.XX :±0.10	



东莞市汉博电子科技有限公司
DONGGUAN HANBO TECHNOLOGY CO., LTD

TITLE				
BS Cell connector				
DWN	xiong	PART NO. BS-170502		
CHKD	lee	SCALE:1:1	UNIT: mm	
APVD	wang	SIZE: A4	SHEET:10F 1	REV: A4

CUSTOMER COPY