



REV.	ECN NO OR DESCRIPTION	REVISED	DATE

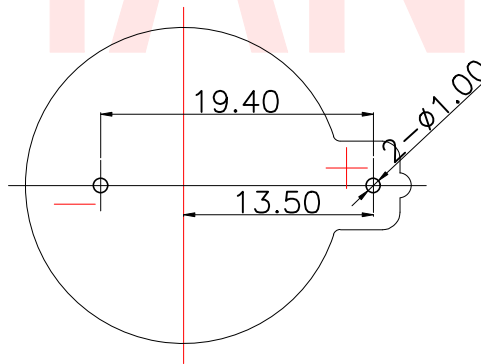
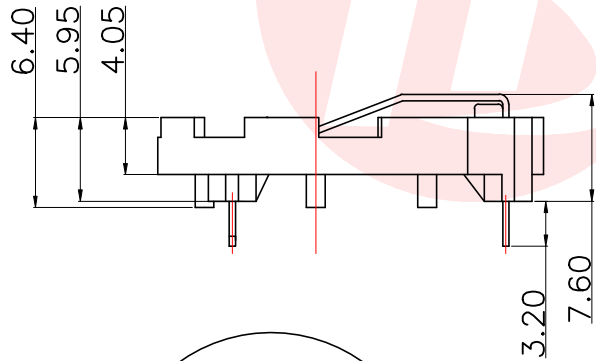
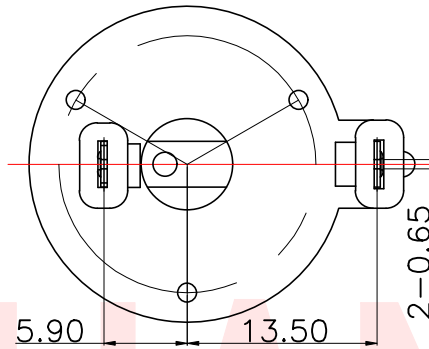
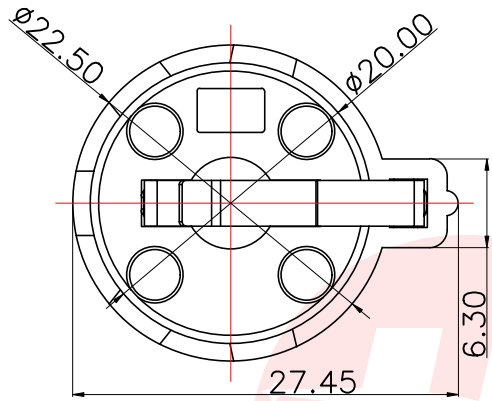
NOTES:

MATERIAL:

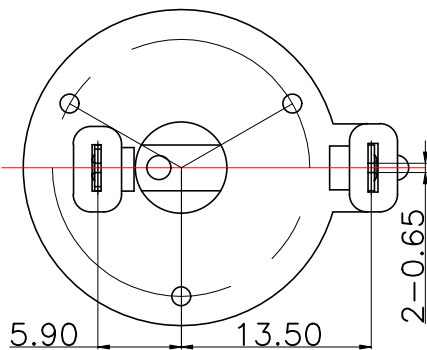
1. HOUSING: PBT,30%G.F UL94V-0,COLOR: BLACK.
2. CONTACT: Mn Steel
3. CONTACT PLATED: TIN PLATED ON OVER ALL, AND NICKEL UNDER PLATED OVER ALL.

ELECTRICAL CHARACTERISTICS:

1. CURRENT RATING: 1.5AMP.
2. CONTACT RESISTANCE: 30mΩ MAX.
3. INSULATION RESISTANCE: 1000MΩ MIN AT 500V DC.
4. DIELECTRIC WITHSTANDING VOLTAGE: 500V AC RMS FOR 1 MINUTE.
5. OPERATING TEMPERATURE : -25°C TO +85°C.



P. C. B  
LAYOUT



UNLESS OTHERWISE SPECIFIED TOLERANCES

DECIMALS:	ANGLES:
X :±0.30	X :±2°
X.X :±0.20	X.X :±1°
X.XX :±0.10	



东莞市汉博电子科技有限公司  
DONGGUAN HANBO TECHNOLOGY CO., LTD

TITLE		BS DIP		
DWN	xiong	PART NO. BS-15202		
CHKD	lee	SCALE:1:1	UNIT: mm	
APVD	wang	SIZE: A4	SHEET:10F 1	REV: A4
CUSTOMER COPY				