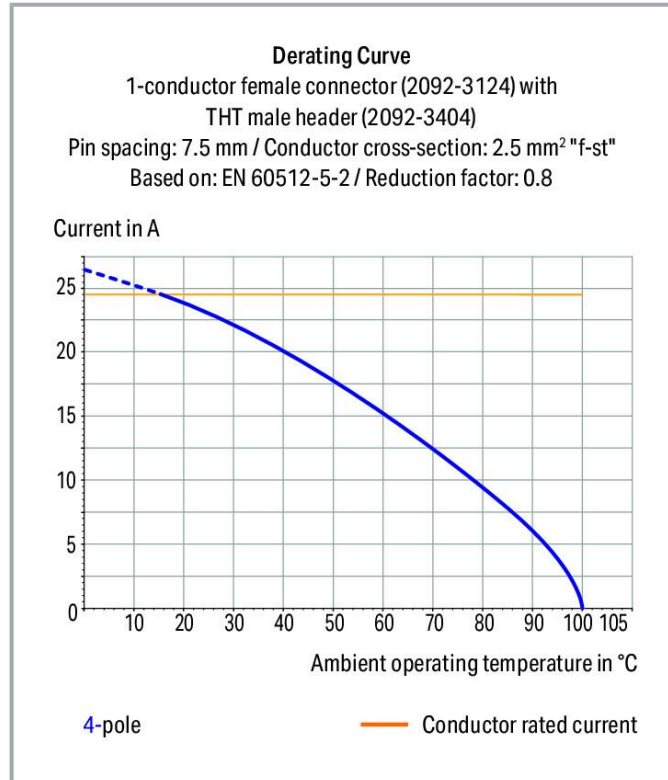
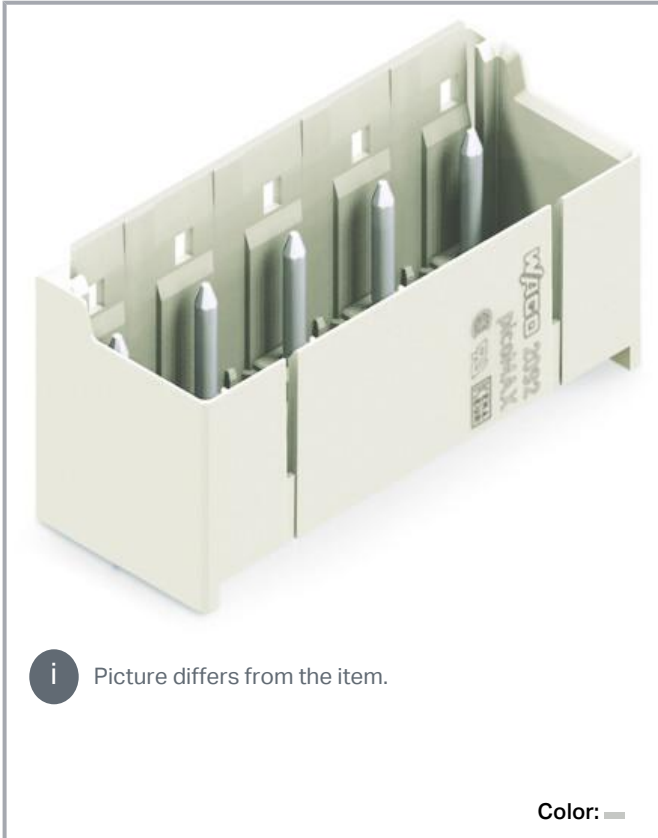


**Data sheet | Item number: 2092-3404/200-000**

THR male header; 1.4 mm Ø solder pin; straight; Pin spacing 7.5 mm; 4-pole;  
light gray



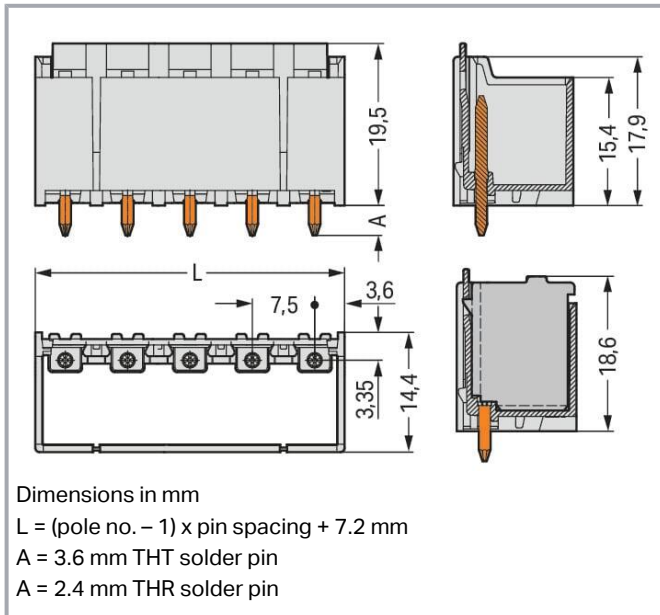
[www.wago.com/2092-3404/200-000](http://www.wago.com/2092-3404/200-000)



Subject to changes. Please also observe the further product documentation!

WAGO GmbH & Co. KG  
Hansastr. 27  
32423 Minden  
Phone: +49571 887-0 | Fax: +49571 887-169  
Email: [info.de@wago.com](mailto:info.de@wago.com) | Web: [www.wago.com](http://www.wago.com)

Do you have any questions about our products?  
We are always happy to take your call at +49 (571) 887-44222.



## Item description

- Assembly of female connectors without loss of poles, allowing different functions to be divided within one male header ( $\geq 4$  poles)
- Coding pins inserted into the header interface prevent mismatching, allowing subsequent coding in panel feedthrough applications
- The female connector is fully shrouded by the male header's housing, providing vibration resistance up to 20 g

## Data

### Notes

Safety information

The **picoMAX® Pluggable Connection System** includes connectors without breaking capacity in accordance with DIN EN 61984. When used as intended, these connectors must not be connected /disconnected when live or under load. The circuit design should ensure header pins, which can be touched, are not live when unmated.

Variants:

Direct marking

Other versions (or variants) can be requested from WAGO Sales or configured at <https://configurator.wago.com/>.

## Electrical data

### Ratings per IEC/EN

Ratings per

IEC/EN 60664-1

Subject to changes. Please also observe the further product documentation!

WAGO GmbH & Co. KG

Hansastr. 27

32423 Minden

Phone: +49571 887-0 | Fax: +49571 887-169

Email: [info.de@wago.com](mailto:info.de@wago.com) | Web: [www.wago.com](http://www.wago.com)

Do you have any questions about our products?

We are always happy to take your call at +49 (571) 887-44222.



|                               |  |
|-------------------------------|--|
| Nominal voltage (III/3)       | 400 V  |
| Rated impulse voltage (III/3) | 6 kV   |
| Rated voltage (III/2)         | 630 V  |
| Rated impulse voltage (III/2) | 6 kV   |
| Nominal voltage (II/2)        | 1000 V   |
| Rated surge voltage (II/2)    | 6 kV   |
| Rated current                 | 16 A   |
| Legend (ratings)              | (III / 2) $\triangleq$ Overvoltage category III / Pollution degree 2 |

### Ratings per UL

|                                |         |
|--------------------------------|---------|
| Approvals per                  | UL 1059 |
| Rated voltage UL (Use Group B) | 300 V   |
| Rated current UL (Use Group B) | 15 A    |
| Rated voltage UL (Use Group D) | 300 V   |
| Rated current UL (Use Group D) | 10 A    |

### Connection data

|                            |   |
|----------------------------|---|
| Total number of potentials | 4 |
| Number of connection types | 1 |
| Number of levels           | 1 |

### Connection 1

|             |   |
|-------------|---|
| Pole number | 4 |
|-------------|---|

### Physical data

|                                    |                          |
|------------------------------------|--------------------------|
| Pin spacing                        | 7.5 mm / 0.295 inches    |
| Width                              | 29.7 mm / 1.169 inches   |
| Height                             | 21.9 mm / 0.862 inches   |
| Height from the surface            | 19.5 mm / 0.768 inches   |
| Depth                              | 14.4 mm / 0.567 inches   |
| Solder pin length                  | 2.4 mm                   |
| Solder pin diameter                | 1.4 mm                   |
| Plated through-hole diameter (THR) | 1.6 <sup>(+0.1)</sup> mm |

### Mechanical Data

|                 |     |
|-----------------|-----|
| Variable coding | Yes |
|-----------------|-----|

Subject to changes. Please also observe the further product documentation!

|                          |     |
|--------------------------|-----|
| Anti-rotation protection | Yes |
|--------------------------|-----|

### Plug-in connection

|                                      |                     |
|--------------------------------------|---------------------|
| Contact type (pluggable connector)   | Male connector/plug |
| Connector (connection type)          | for PCB             |
| Mismating protection                 | No                  |
| Plugging without loss of pin spacing | Yes                 |
| Mating direction to the PCB          | 90 °                |
| Locking of plug-in connection        | Locking latch       |

### PCB contact

|             |     |
|-------------|-----|
| PCB contact | THR |
|-------------|-----|

### Material data

|                             |  |
|-----------------------------|--|
| Note (material data)        | Information on material specifications can be found here |
| Color                       | light gray   |
| Material group              | I  |
| Insulation material         | Polyphthalamide (PPA GF)                                 |
| Flammability class per UL94 | V0   |
| Contact material            | Electrolytic copper (E <sub>Cu</sub> )                   |
| Contact plating             | Tin  |
| Fire load                   | 0.067 MJ   |
| Weight                      | 3 g  |
| MSL per J-STD 020D          | 1  |

### Environmental requirements

|                         |                 |
|-------------------------|-----------------|
| Limit temperature range | -60 ... +100 °C |
| Processing temperature  | -35 ... +60 °C  |

### Commercial data

|             |             |
|-------------|-------------|
| eCl@ss 10.0 | 27-44-04-02 |
| eCl@ss 9.0  | 27-44-04-02 |
| ETIM 8.0    | EC002637    |
| ETIM 7.0    | EC002637    |

Subject to changes. Please also observe the further product documentation!

|                       |               |
|-----------------------|---------------|
| ECCN                  | NO DATA       |
| PU (SPU)              | 100 pcs       |
| Packaging type        | box           |
| Country of origin     | DE            |
| GTIN                  | 4050821396536 |
| Customs tariff number | 85366930000   |

## Environmental Product Compliance

|                        |                         |
|------------------------|-------------------------|
| RoHS Compliance Status | Compliant, No Exemption |
|------------------------|-------------------------|

## Approvals / Certificates

### General approvals

| Logo   | Approval                                | Additional Approval Text | Certificate name       |
|--|---|--------------------------|------------------------|
|    | CSA<br>DEKRA Certification B.V.         | C22.2                    | 2362521                |
|   | cURus<br>Underwriters Laboratories Inc. | UL 1059                  | E45172                 |
|  | KEMA/KEUR<br>DEKRA Certification B.V.   | EN 61984                 | 71-<br>102261<br>REV.2 |
|  | UL<br>Underwriters Laboratories Inc.    | UL 1977                  | E45171                 |

## Counterpart



### Item no.2092-3124

1-conductor female connector; push-button; Push-in CAGE CLAMP®; 2.5 mm<sup>2</sup>; Pin spacing 7.5 mm; 4-pole;  
2,50 mm<sup>2</sup>; light gray

[www.wago.com/2092-3124](http://www.wago.com/2092-3124)

Subject to changes. Please also observe the further product documentation!

WAGO GmbH & Co. KG  
Hansastr. 27  
32423 Minden  
Phone: +49571 887-0 | Fax: +49571 887-169  
Email: [info.de@wago.com](mailto:info.de@wago.com) | Web: [www.wago.com](http://www.wago.com)

Do you have any questions about our products?  
We are always happy to take your call at +49 (571) 887-44222.



## Downloads

### Documentation

#### Additional Information

|                        |            |          |          |
|------------------------|------------|----------|----------|
| Technical Section      | 2019 Apr 3 | pdf      | Download |
| Technical explanations |            | 2.1 MB   |          |
| THR Soldering Process  |            | pdf      | Download |
|                        |            | 556.8 kB |          |

## CAD/CAE-Data

### CAE data

|                                |     |          |
|--------------------------------|-----|----------|
| ZUKEN Portal 2092-3404/200-000 | URL | Download |
|--------------------------------|-----|----------|

### CAD data

|                                |     |          |
|--------------------------------|-----|----------|
| 2D/3D Models 2092-3404/200-000 | URL | Download |
|--------------------------------|-----|----------|

### Asset Administration Shell

|  |     |          |
|--|-----|----------|
| Asset Administration Shell 2092-3404/200-000 | URL | Download |
|--|-----|----------|

### PCB Design

|   |     |          |
|---|-----|----------|
| Symbol and Footprint via SamacSys 2092-3404/200-000 | URL | Download |
|---|-----|----------|

CAx data for your PCB design, consisting of "schematic symbols and PCB footprints", allow easy integration of the WAGO component into your development environment.

#### Supported formats:

- 3D (stp)
- Altium
- CADSTAR
- Capture
- CircuitStudio
- CR-5000
- CR-8000
- DEHDL
- DesignSpark PCB
- DesignSpark PCB PRO

Subject to changes. Please also observe the further product documentation!

WAGO GmbH & Co. KG

Hansastr. 27

32423 Minden

Phone: +49571 887-0 | Fax: +49571 887-169

Email: [info.de@wago.com](mailto:info.de@wago.com) | Web: [www.wago.com](http://www.wago.com)

Do you have any questions about our products?

We are always happy to take your call at +49 (571) 887-44222.



- DipTrace
- EAGLE
- Easy-PC
- EasyEDA
- eCADSTAR
- KiCad
- OrCAD\_Allegro16
- PADS
- Proteus
- Pulsonix
- Quadcept
- SOLIDWORKS PCB
- TARGET 3001!
- xDX Designer
- Xpedition

PCB Component Libraries (EDA), PCB CAD Library SamacSys Electronic Component Search Engine

---

Symbol and Footprint via Ultra Librarian 2092-3404/200-000

URL

Download

CAX data for your PCB design, consisting of "schematic symbols and PCB footprints", allow easy integration of the WAGO component into your development environment.

Supported formats:

- Accel EDA 14 & 15
- Altair
- Altium 6 to current version
- Autodesk Fusion 360
- Cadence Allegro
- DesignSpark
- Eagle Libraries
- KiCad
- Mentor Graphics
- BoardStation
- Mentor Graphics Design Architect
- Mentor Graphics Design
- Expedition 99 and 2000
- OrCAD 9.X PCB and Capture

—  
Subject to changes. Please also observe the further product documentation!

---

WAGO GmbH & Co. KG  
Hansastr. 27  
32423 Minden  
Phone: +49571 887-0 | Fax: +49571 887-169  
Email: [info.de@wago.com](mailto:info.de@wago.com) | Web: [www.wago.com](http://www.wago.com)

Do you have any questions about our products?  
We are always happy to take your call at +49 (571) 887-44222.

- PADS PowerPCB 3, 3.5, 4.X, and 5.X
- PADS PowerPCB and PowerLogic 3.0
- PCAD 2000, 2001, 2002, 2004, and 2006
- Pulsonix 8.5 or newer
- STL
- 3D STEP
- TARGET 3001!
- View Logic ViewDraw
- Quadcept
- Zuken CadStar 3 and 4
- Zuken CR-5000 and CR-8000
- Zuken eCADSTAR 2020 and 2021Zuken CR-5000 and CR-8000

PCB Component Libraries (EDA), PCB CAD Library Ultra Librarian

---

## Environmental Product Compliance

### Compliance Search

Environmental Product Compliance 2092-3404/200-000

URL

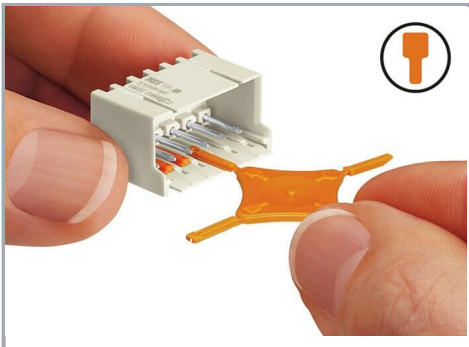
Download

THR male header; 1.4 mm Ø solder pin; straight; Pin spacing 7.5 mm; 4-pole; light gray

---

## Installation Notes

### Coding



Coding a male header (via coding key carrier and two keys for male header, see symbol).

Subject to changes. Please also observe the further product documentation!