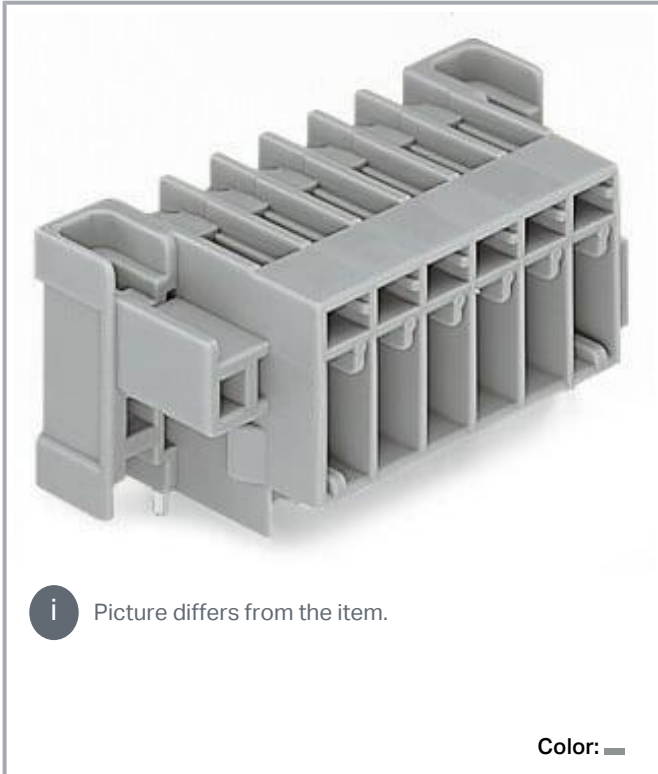


## Data sheet | Item number: 769-674/004-000

THT male header; 1.0 x 1.0 mm solder pin; angled; Feedthrough flange; Pin spacing 5 mm; 14-pole; gray

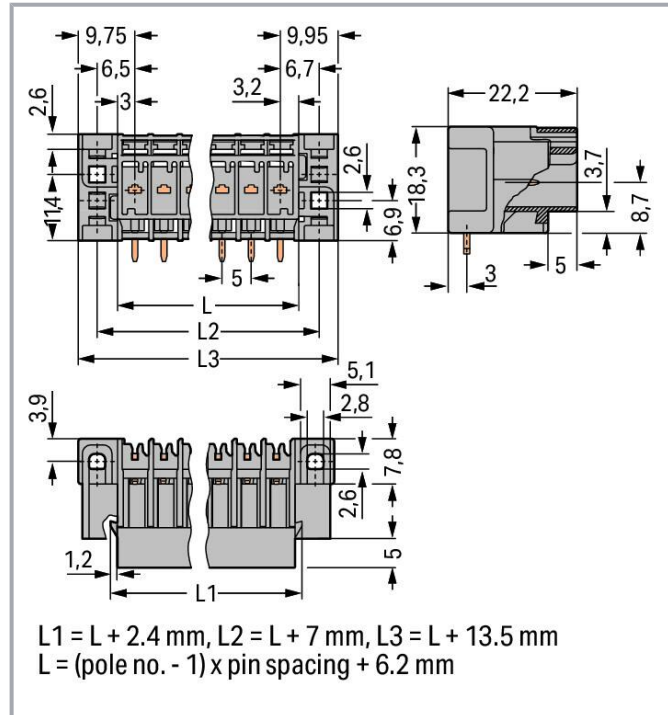


[www.wago.com/769-674/004-000](http://www.wago.com/769-674/004-000)



**i** Picture differs from the item.

Color:



### Data

#### Electrical data

#### Ratings per IEC/EN

|                               |   |
|-------------------------------|---|
| Nominal voltage (III/3)       | 250 V   |
| Rated impulse voltage (III/3) | 4 kV  |
| Rated voltage (III/2)         | 500 V   |
| Rated impulse voltage (III/2) | 4 kV  |
| Rated current                 | 32 A  |
| Legend (ratings)              | (III / 3) ≙ Overvoltage category III / Pollution degree 3 |

Subject to changes. Please also observe the further product documentation!

WAGO GmbH & Co. KG  
Hansastr. 27  
32423 Minden  
Phone: +49571 887-0 | Fax: +49571 887-169  
Email: [info.de@wago.com](mailto:info.de@wago.com) | Web: [www.wago.com](http://www.wago.com)

Do you have any questions about our products?  
We are always happy to take your call at +49 (571) 887-44222.



### Connection data

|                            |    |
|----------------------------|----|
| Total number of potentials | 14 |
| Number of levels           | 1  |
| Preceding contacts         | No |

### Connection 1

|             |    |
|-------------|----|
| Pole number | 14 |
|-------------|----|

### Physical data

|                         |                        |
|-------------------------|------------------------|
| Pin spacing             | 5 mm / 0.197 inches    |
| Width                   | 84.7 mm / 3.335 inches |
| Height from the surface | 18.3 mm / 0.72 inches  |
| Depth                   | 22.2 mm / 0.874 inches |

### Mechanical Data

|                          |                    |
|--------------------------|--------------------|
| Variable coding          | Yes                |
| Mounting type            | Feedthrough flange |
| Anti-rotation protection | Yes                |

### Plug-in connection

|                                      |                     |
|--------------------------------------|---------------------|
| Contact type (pluggable connector)   | Male connector/plug |
| Connector (connection type)          | for PCB             |
| Mismating protection                 | No                  |
| Plugging without loss of pin spacing | No                  |
| Mating direction to the PCB          | 0°                  |

### PCB contact

|             |     |
|-------------|-----|
| PCB contact | THT |
|-------------|-----|

### Material data

|                      |  |
|----------------------|--|
| Note (material data) | <a href="#">Information on material specifications can be found here</a> |
| Color                | gray   |
| Material group       | I  |

Subject to changes. Please also observe the further product documentation!

|                             |                  |
|-----------------------------|------------------|
| Insulation material         | Polyamide (PA66) |
| Flammability class per UL94 | V0               |
| Fire load                   | 0.321 MJ         |
| Weight                      | 15.8 g           |

### Environmental requirements

|                                  |                 |
|----------------------------------|-----------------|
| Processing temperature           | -35 ... +85 °C  |
| Continuous operating temperature | -60 ... +105 °C |

### Commercial data



|                       |                   |
|-----------------------|-------------------|
| Product Group         | 18 (X-COM-System) |
| eCl@ss 10.0           | 27-44-04-02       |
| eCl@ss 9.0            | 27-44-04-02       |
| ETIM 8.0              | EC002637          |
| ETIM 7.0              | EC002637          |
| ECCN                  | NO DATA           |
| PU (SPU)              | 15 pcs            |
| Packaging type        | box               |
| Country of origin     | PL                |
| GTIN                  | 4017332412902     |
| Customs tariff number | 85366930000       |

### Environmental Product Compliance

|                        |                         |
|------------------------|-------------------------|
| RoHS Compliance Status | Compliant, No Exemption |
|------------------------|-------------------------|

### Approvals / Certificates



#### General approvals

| Logo   | Approval                        | Additional Approval Text | Certificate name |
|--|---------------------------------|--------------------------|------------------|
|  | CCA<br>DEKRA Certification B.V. | EN 60947                 | NTR NL-7626      |
|  | CCA<br>DEKRA Certification B.V. | EN 61984                 | 2190419.02       |
|  | CCA                             | IEC 61984                | NL-47799         |


Subject to changes. Please also observe the further product documentation!

|  |                                       |          |            |
|--|---------------------------------------|----------|------------|
|  | DEKRA Certification B.V.              |          | /A1        |
|  | CSA<br>CSA Group                      | C22.2    | 1101144    |
|  | KEMA/KEUR<br>DEKRA Certification B.V. | EN 60947 | 2190419.01 |
|  | UL<br>Underwriters Laboratories Inc.  | UL 1977  | E 45171    |
|  | UR<br>Underwriters Laboratories Inc.  | UL 1059  | E45172     |

Declarations of conformity and manufacturer's declarations

| Logo   | Approval   | Additional Approval Text | Certificate name |
|--|--|--------------------------|------------------|
|   | EU-Declaration of Conformity<br>WAGO GmbH & Co. KG | -                        | -                |
|  | UK-Declaration of Conformity<br>WAGO GmbH & Co. KG | -                        | -                |

Approvals for marine applications

| Logo   | Approval   | Additional Approval Text | Certificate name |
|--|--|--------------------------|------------------|
|  | DNV GL<br>Det Norske Veritas, Germanischer Lloyd | -                        | TAE00001V2       |

Subject to changes. Please also observe the further product documentation!

## Counterpart


**Item no.769-114**

1-conductor female connector; CAGE CLAMP®; 4 mm<sup>2</sup>; Pin spacing 5 mm; 14-pole; coding finger; 4,00 mm<sup>2</sup>; gray [www.wago.com/769-114](http://www.wago.com/769-114)


**Item no.769-114/021-000**

1-conductor female connector; CAGE CLAMP®; 4 mm<sup>2</sup>; Pin spacing 5 mm; 14-pole; coding finger; Lateral locking levers; 4,00 mm<sup>2</sup>; gray [www.wago.com/769-114/021-000](http://www.wago.com/769-114/021-000)


**Item no.769-134**

2-conductor female connector; CAGE CLAMP®; 4 mm<sup>2</sup>; Pin spacing 5 mm; 14-pole; coding finger; 4,00 mm<sup>2</sup>; gray [www.wago.com/769-134](http://www.wago.com/769-134)

## Optional accessories

### Coding

#### Coding


**Item no.: 769-435**

Coding pin; for coding of female plugs; for carrier terminal blocks / male connectors; orange [www.wago.com/769-435](http://www.wago.com/769-435)

### Marking accessories

#### Marking strip


**Item no.: 210-831**

Marking strips; on reel; 2.3 mm wide; plain; Self-adhesive; white [www.wago.com/210-831](http://www.wago.com/210-831)


**Item no.: 210-833**

Marking strips; 25 m on roll; 6 mm wide; plain; Self-adhesive; white [www.wago.com/210-833](http://www.wago.com/210-833)


**Item no.: 210-834**

Marking strips; on reel; 5 mm wide; plain; Self-adhesive; white [www.wago.com/210-834](http://www.wago.com/210-834)


**Item no.: 210-832**

Marking strips; on reel; 3 mm wide; plain; Self-adhesive; white [www.wago.com/210-832](http://www.wago.com/210-832)

## Downloads

### Documentation

#### Bid Text

769-674/004-000

2019 Feb 19

xml

Download

X81 - Datei

3.1 kB

Subject to changes. Please also observe the further product documentation!

WAGO GmbH &amp; Co. KG

Hansastr. 27

32423 Minden

Phone: +49571 887-0 | Fax: +49571 887-169

Email: [info.de@wago.com](mailto:info.de@wago.com) | Web: [www.wago.com](http://www.wago.com)

Do you have any questions about our products?

We are always happy to take your call at +49 (571) 887-44222.



769-674/004-000

2017 Oct 4

doc  
25.6 kB

Download

doc - Datei

---

#### Additional Information

pdf  
2.3 MB

Download

---

### CAD/CAE-Data

#### CAD data

2D/3D Models 769-674/004-000

URL

Download

---

#### PCB Design

Symbol and Footprint via Ultra Librarian 769-674/004-000

URL

Download

CAX data for your PCB design, consisting of "schematic symbols and PCB footprints", allow easy integration of the WAGO component into your development environment.

#### Supported formats:

- Accel EDA 14 & 15
- Altair
- Altium 6 to current version
- Autodesk Fusion 360
- Cadence Allegro
- DesignSpark
- Eagle Libraries
- KiCad
- Mentor Graphics
- BoardStation
- Mentor Graphics Design Architect
- Mentor Graphics Design
- Expedition 99 and 2000
- OrCAD 9.X PCB and Capture
- PADS PowerPCB 3, 3.5, 4.X, and 5.X
- PADS PowerPCB and PowerLogic 3.0
- PCAD 2000, 2001, 2002, 2004, and 2006
- Pulsonix 8.5 or newer
- STL

—  
Subject to changes. Please also observe the further product documentation!

---

WAGO GmbH & Co. KG

Hansastr. 27

32423 Minden

Phone: +49571 887-0 | Fax: +49571 887-169

Email: [info.de@wago.com](mailto:info.de@wago.com) | Web: [www.wago.com](http://www.wago.com)

Do you have any questions about our products?

We are always happy to take your call at +49 (571) 887-44222.



- 3D STEP
- TARGET 3001!
- View Logic ViewDraw
- Quadcept
- Zuken CadStar 3 and 4
- Zuken CR-5000 and CR-8000
- Zuken eCADSTAR 2020 and 2021Zuken CR-5000 and CR-8000

PCB Component Libraries (EDA), PCB CAD Library Ultra Librarian

---

Symbol and Footprint via SamacSys 769-674/004-000

URL

Download

CAX data for your PCB design, consisting of "schematic symbols and PCB footprints", allow easy integration of the WAGO component into your development environment.

Supported formats:

- 3D (stp)
- Altium
- CADSTAR
- Capture
- CircuitStudio
- CR-5000
- CR-8000
- DEHDL
- DesignSpark PCB
- DesignSpark PCB PRO
- DipTrace
- EAGLE
- Easy-PC
- EasyEDA
- eCADSTAR
- KiCad
- OrCAD\_Allegro16
- PADS
- Proteus
- Pulsonix
- Quadcept
- SOLIDWORKS PCB
- TARGET 3001!

—  
Subject to changes. Please also observe the further product documentation!

---

WAGO GmbH & Co. KG

Hansastr. 27

32423 Minden

Phone: +49571 887-0 | Fax: +49571 887-169

Email: [info.de@wago.com](mailto:info.de@wago.com) | Web: [www.wago.com](http://www.wago.com)

Do you have any questions about our products?

We are always happy to take your call at +49 (571) 887-44222.

- xDX Designer
- Xpedition

PCB Component Libraries (EDA), PCB CAD Library SamacSys Electronic Component Search Engine

### CAE data

|                              |     |          |
|------------------------------|-----|----------|
| ZUKEN Portal 769-674/004-000 | URL | Download |
|------------------------------|-----|----------|

### Asset Administration Shell

|  |     |          |
|--|-----|----------|
| Asset Administration Shell 769-674/004-000 | URL | Download |
|--|-----|----------|

## Environmental Product Compliance

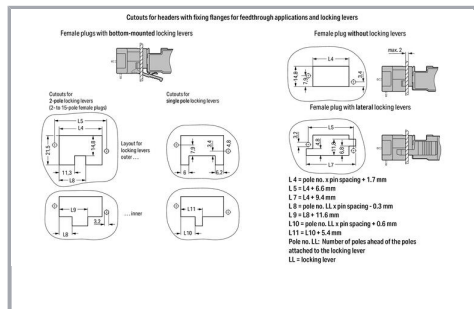
### Compliance Search

|  |     |          |
|--|-----|----------|
| Environmental Product Compliance 769-674/004-000 | URL | Download |
|--|-----|----------|

THT male header; 1.0 x 1.0 mm solder pin; angled; Feedthrough flange; Pin spacing 5 mm; 14-pole; gray

## Installation Notes

### Installation

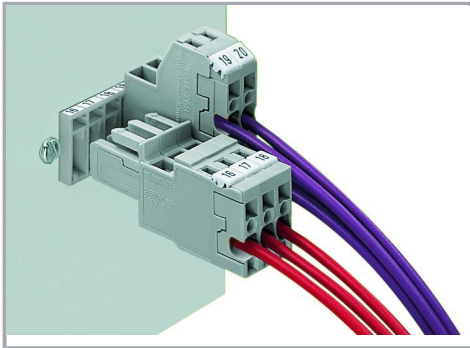


Cutouts for male headers with feedthrough flanges and locking levers

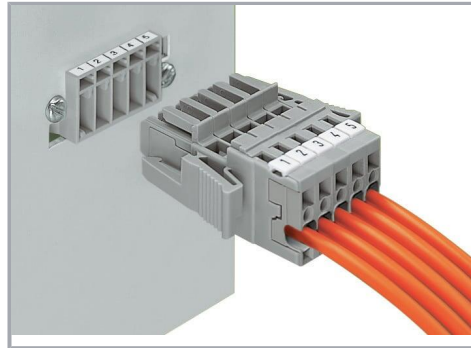
### Application

Subject to changes. Please also observe the further product documentation!





Header with straight or right angle solder pins  
and mounting flanges  
1-conductor female plug, straight  
2-conductor female plug



Male header and 1-conductor female plug with  
lateral locking levers

## Product family

X-COM

[Show all products from the family](#)

Subject to changes. Please also observe the further product documentation!