

1-284506-4 ✓ ACTIVE

Buchanan

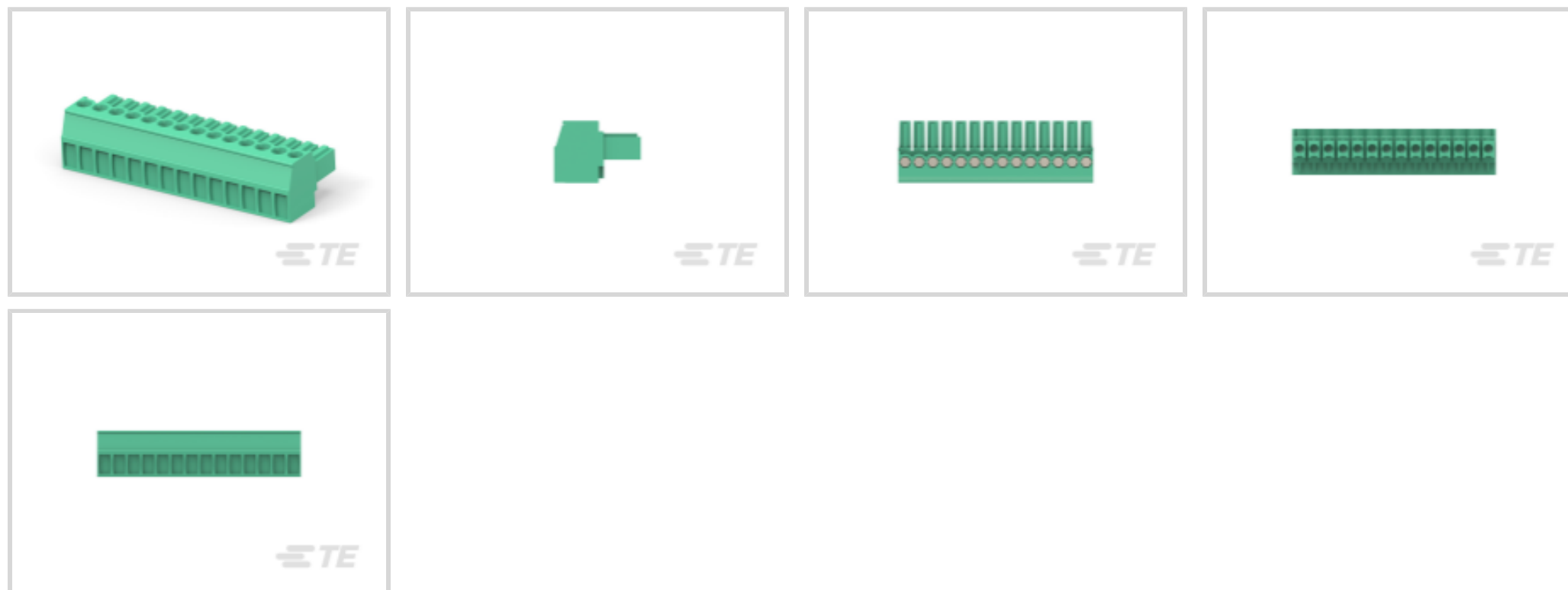
TE Internal #: 1-284506-4

PCB Terminal Blocks, Plug, Wire-to-Board, 14 Position, .138 in [3.5 mm] Centerline, 1 Row, 180° Wire Entry Angle, 30 – 14 AWG Wire Size

[View on TE.com >](#)



Connectors > Terminal Blocks & Strips > PCB Terminal Blocks



Terminal Block Connector Type: **Plug**

Connector System: **Wire-to-Board**

Number of Positions: **14**

Centerline (Pitch): **3.5 mm [.138 in]**

Number of Rows: **1**

Features

Product Type Features

| | |
|-----------------------------------|---------------|
| Wire Protection | With |
| Terminal Block Connector Type | Plug |
| Connector System | Wire-to-Board |
| Connector & Contact Terminates To | Wire & Cable |

Configuration Features

| | |
|------------------------|----------------|
| Wire Entry Location | Side |
| Stacking Configuration | Side Stackable |
| Number of Positions | 14 |
| Number of Rows | 1 |
| Wire Entry Angle | 180° |

Electrical Characteristics

| | |
|-------------------|---------|
| Operating Voltage | 300 VAC |
|-------------------|---------|

Body Features

| | |
|-----------------------|-------|
| Primary Product Color | Green |
|-----------------------|-------|



| | |
|---------------------|-------------|
| Product Orientation | Right Angle |
|---------------------|-------------|

Contact Features

| | |
|--------------------------------------|-----------------|
| Contact Mating Area Plating Material | Tin |
| Contact Base Material | Phosphor Bronze |
| Contact Current Rating (Max) | 11 A |

Mechanical Attachment

| | |
|------------------------|--------|
| Screw Plating Material | Nickel |
| Screw Material | Brass |
| Thread Size | M2 |

Housing Features

| | |
|--------------------|------------------|
| Housing Material | PA 66 |
| Centerline (Pitch) | 3.5 mm [.138 in] |

Dimensions

| | |
|-----------|-------------------------|
| Wire Size | .05 – 2 mm ² |
|-----------|-------------------------|

Usage Conditions

| | |
|-----------------------------|-----------------------------|
| Operating Temperature Range | -40 – 105 °C [-40 – 221 °F] |
|-----------------------------|-----------------------------|

Operation/Application

| | |
|---------------------|----------------|
| Circuit Application | Power & Signal |
|---------------------|----------------|

Packaging Features

| | |
|--------------------|----|
| Packaging Quantity | 50 |
|--------------------|----|

Product Compliance

For compliance documentation, visit the product page on [TE.com](https://www.te.com)>

| | |
|---|--|
| EU RoHS Directive 2011/65/EU | Compliant with Exemptions |
| EU ELV Directive 2000/53/EC | Compliant with Exemptions |
| China RoHS 2 Directive MIIT Order No 32, 2016 | Restricted Materials Above Threshold |
| EU REACH Regulation (EC) No. 1907/2006 | Current ECHA Candidate List: JUNE 2023 (235) Candidate List Declared Against: JUNE 2023 (235) SVHC > Threshold: Pb (.76% in Component Part) |

Article Safe Usage Statements:

Do not eat, drink or smoke when using this product. Wash thoroughly after handling. Recycle if possible and dispose of the article by following all applicable governmental regulations relevant to your geographic location.

Halogen Content

Low Halogen - Br, Cl, F, I < 900 ppm per homogenous material. Also BFR/CFR/PVC Free

Solder Process Capability

Not applicable for solder process capability

Product Compliance Disclaimer

This information is provided based on reasonable inquiry of our suppliers and represents our current actual knowledge based on the information they provided. This information is subject to change. The part numbers that TE has identified as EU RoHS compliant have a maximum concentration of 0.1% by weight in homogenous materials for lead, hexavalent chromium, mercury, PBB, PBDE, DBP, BBP, DEHP, DIBP, and 0.01% for cadmium, or qualify for an exemption to these limits as defined in the Annexes of Directive 2011/65/EU (RoHS2). Finished electrical and electronic equipment products will be CE marked as required by Directive 2011/65/EU. Components may not be CE marked. Additionally, the part numbers that TE has identified as EU ELV compliant have a maximum concentration of 0.1% by weight in homogenous materials for lead, hexavalent chromium, and mercury, and 0.01% for cadmium, or qualify for an exemption to these limits as defined in the Annexes of Directive 2000/53/EC (ELV). Regarding the REACH Regulation, the information TE provides on SVHC in articles for this part number is based on the latest European Chemicals Agency (ECHA) 'Guidance on requirements for substances in articles' posted at this URL: <https://echa.europa.eu/guidance-documents/guidance-on-reach>

Compatible Parts



TE Part # 1-284512-4
14 POS TERMI-BLOK HDR 900 POLA

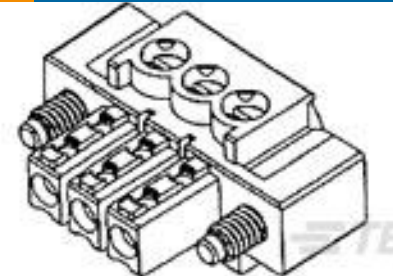


TE Part # 1-796693-4
14 POS TERMI-BLOK PLUG STACK

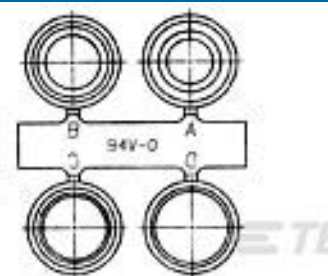
Customers Also Bought



TE Part #2-1462039-9
IM23GR=IM RELAY 50mW 5V



TE Part #284511-6
6 POS TERMI-BLOK PLUG C. VITI




TE Part #747973-1
GROMMET ASSORTMENT, SZ 3,4 & 5



TE Part #3-2213766-3
AV19 SPL 3A POWER LED GREEN 12V



TE Part #320568
PIDG Ring Tongue Terminals



TE Part #YDTS33W21NV0010000
DUST COVER ASSEM



TE Part #87232-2
02 MODII HDR SRRA UNSHRD .100



Documents

CAD Files

Customer View Model

[ENG_CVM_1-284506-4_C.2d_dxf.zip](#)

English

3D PDF

English

Customer View Model

[ENG_CVM_1-284506-4_C.3d_igs.zip](#)

English

Customer View Model

[ENG_CVM_1-284506-4_C.3d_stp.zip](#)

English

3D PDF

3D

Customer View Model

[ENG_CVM_CVM_1-284506-4_B.2d_dxf.zip](#)

English

Customer View Model

[ENG_CVM_CVM_1-284506-4_B.3d_igs.zip](#)

English

Customer View Model

[ENG_CVM_CVM_1-284506-4_B.3d_stp.zip](#)

English

By downloading the CAD file I accept and agree to the [Terms and Conditions](#) of use.

Datasheets & Catalog Pages

[BUCHANAN TERMINAL BLOCKS CATALOG - EUROSTYLE TERMINAL BLOCKS](#)

English

[1-1773458-1_EURO_STYLE_TERMINAL_BLOCKS_ORG](#)

English

Product Specifications

[Application Specification](#)

English

Agency Approvals

[UL](#)

English