

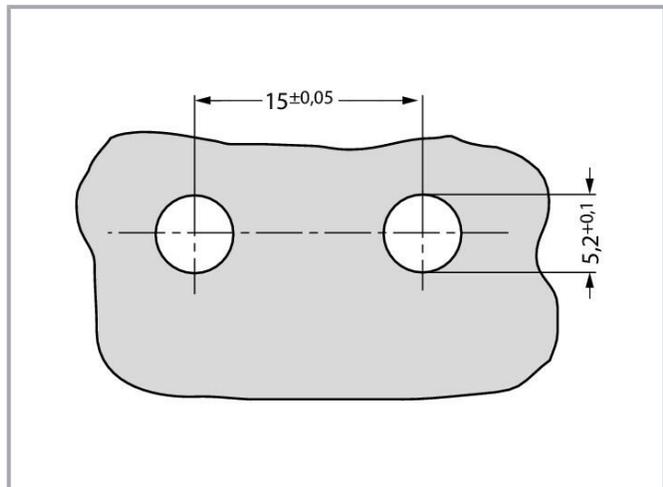
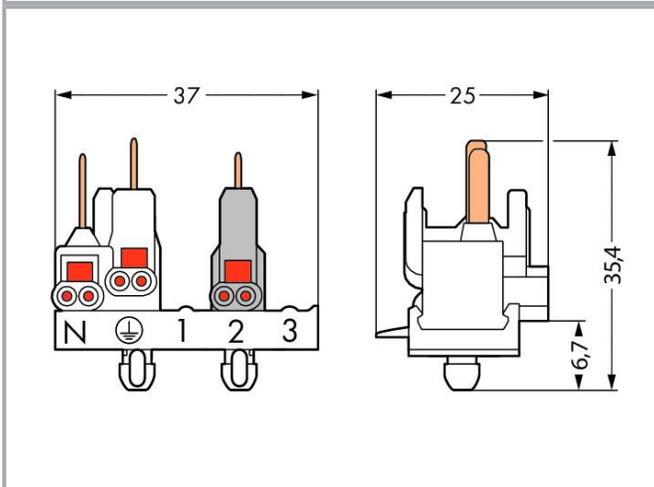
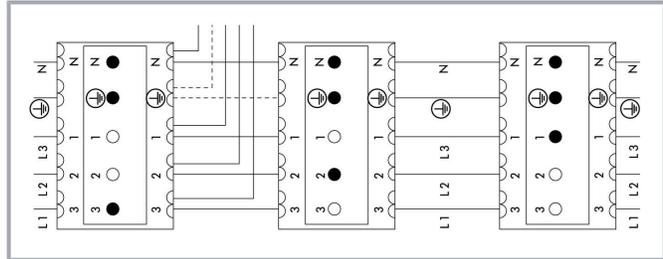
Data sheet | Item number: 277-125

Male connector; 5-pole; 1,00 mm<sup>2</sup>; white/gray

[www.wago.com/277-125](http://www.wago.com/277-125)



 Picture differs from the item.



### Item description

- Flexible connection system with PUSH WIRE<sup>®</sup> connection
- Phase selection

Subject to changes. Please also observe the further product documentation!

WAGO GmbH & Co. KG  
Hansastr. 27  
32423 Minden  
Phone: +49571 887-0 | Fax: +49571 887-169  
Email: [info.de@wago.com](mailto:info.de@wago.com) | Web: [www.wago.com](http://www.wago.com)

Do you have any questions about our products?  
We are always happy to take your call at +49 (571) 887-44222.



## Data

### Electrical data

#### Ratings per IEC/EN

Ratings per	IEC/EN 60664-1
Rated voltage (III/2)	400 V
Rated impulse voltage (III/2)	4 kV
Rated current	10 A
Legend (ratings)	(III / 2) $\hat{=}$ Overvoltage category III / Pollution degree 2

### Connection data

Number of connection types	1
----------------------------	---

#### Connection 1

Connection technology	PUSH WIRE <sup>®</sup>
Solid conductor	0.5 ... 1 mm <sup>2</sup> / 20 ... 18 AWG
Strip length	10 ... 11 mm / 0.39 ... 0.43 inches
Pole number	5

### Physical data

Width	25 mm / 0.984 inches
Height	35.4 mm / 1.394 inches
Depth	37 mm / 1.457 inches

### Material data

Note (material data)	Information on material specifications can be found here
Color	white/gray
Material group	I
Insulation material	Polyamide (PA66)
Flammability class per UL94	V2
Clamping spring material	Chrome-nickel spring steel (CrNi)
Contact material	Electrolytic copper (E <sub>Cu</sub> )
Contact plating	Tin

Subject to changes. Please also observe the further product documentation!

Fire load	0.201 MJ
Weight	12.5 g

### Environmental requirements

Temperature stability	105 °C
-----------------------	--------

### Commercial data

eCl@ss 10.0	27-44-03-14
eCl@ss 9.0	27-44-03-14
ETIM 8.0	EC000458
ETIM 7.0	EC000458
ECCN	NO DATA
PU (SPU)	500 pcs
Packaging type	box
Country of origin	DE
GTIN	4044918507417
Customs tariff number	85366990990

### Environmental Product Compliance

RoHS Compliance Status	Compliant, No Exemption
------------------------	-------------------------

### Approvals / Certificates

#### General approvals

Logo	Approval	Additional Approval Text	Certificate name
	CSA DEKRA Certification B.V.	C22.2	70048855
	UL UL International Germany GmbH	UL 1977	E45171
	UR Underwriters Laboratories Inc.	UL 1059	E45172
	VDE	EN 61984	40029569

Subject to changes. Please also observe the further product documentation!

WAGO GmbH & Co. KG  
 Hansastr. 27  
 32423 Minden  
 Phone: +49571 887-0 | Fax: +49571 887-169  
 Email: [info.de@wago.com](mailto:info.de@wago.com) | Web: [www.wago.com](http://www.wago.com)

Do you have any questions about our products?  
 We are always happy to take your call at +49 (571) 887-44222.



VDE Prüf- und Zertifizierungsinstitut

---

## Downloads

### Documentation

#### Additional Information

Technical Section	2019 Apr 3	pdf	Download
Technical explanations		2.1 MB	

---

## CAD/CAE-Data

### CAE data

EPLAN Data Portal 277-125	URL	Download
WSCAD Universe 277-125	URL	Download

---

## Environmental Product Compliance

### Compliance Search

Environmental Product Compliance 277-125	URL	Download
Male connector; 5-pole; 1,00 mm <sup>2</sup> ; white/gray		

---

## Installation Notes

Subject to changes. Please also observe the further product documentation!