

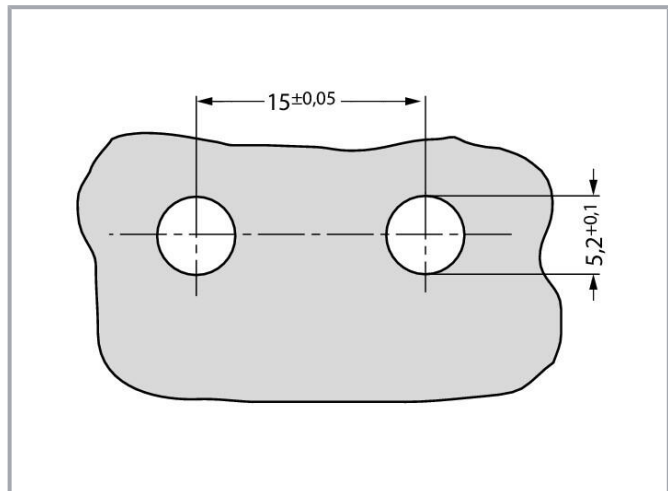
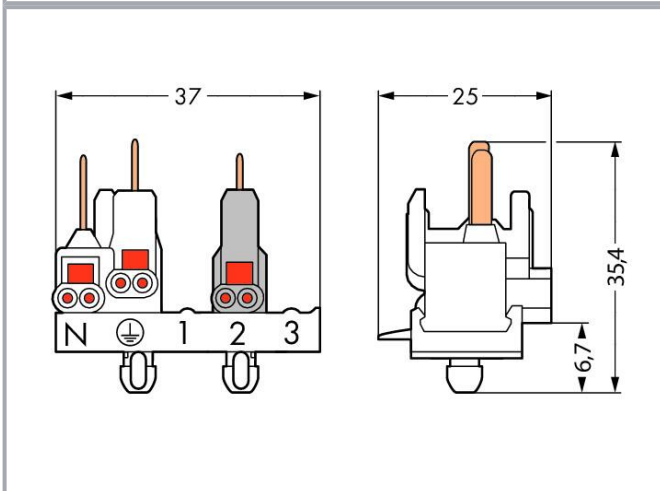
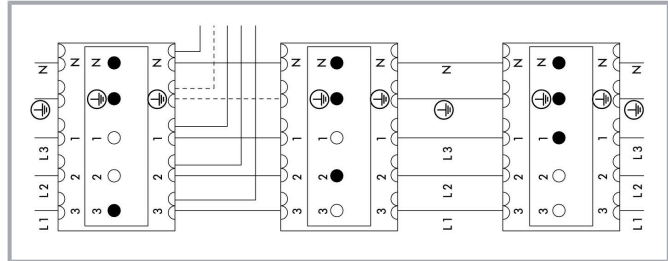
Data sheet | Item number: 277-124

Male connector; 4-pole; 1,00 mm²; white/gray

www.wago.com/277-124



 Picture differs from the item.



Item description

- Flexible connection system with PUSH WIRE[®] connection
- Phase selection

Subject to changes. Please also observe the further product documentation!

WAGO GmbH & Co. KG

Hansastr. 27

32423 Minden

Phone: +49571 887-0 | Fax: +49571 887-169

Email: info.de@wago.com | Web: www.wago.com

Do you have any questions about our products?

We are always happy to take your call at +49 (571) 887-44222.



Data

Electrical data

Ratings per IEC/EN

Ratings per	IEC/EN 60664-1
Rated voltage (III/2)	400 V
Rated impulse voltage (III/2)	4 kV
Rated current	10 A
Legend (ratings)	(III / 2) $\hat{=}$ Overvoltage category III / Pollution degree 2

Connection data

Number of connection types	1
----------------------------	---

Connection 1

Connection technology	PUSH WIRE [®]
Solid conductor	0.5 ... 1 mm ² / 20 ... 18 AWG
Strip length	10 ... 11 mm / 0.39 ... 0.43 inches
Pole number	4

Physical data

Width	25 mm / 0.984 inches
Height	35.4 mm / 1.394 inches
Depth	37 mm / 1.457 inches

Material data

Note (material data)	Information on material specifications can be found here
Color	white/gray
Material group	I
Insulation material	Polyamide (PA66)
Flammability class per UL94	V2
Clamping spring material	Chrome-nickel spring steel (CrNi)
Contact material	Electrolytic copper (E _{Cu})
Contact plating	Tin

Subject to changes. Please also observe the further product documentation!

Fire load	0.17 MJ
Weight	10.5 g

Environmental requirements

Temperature stability	105 °C
-----------------------	--------

Commercial data




eCl@ss 10.0	27-44-03-14
eCl@ss 9.0	27-44-03-14
ETIM 8.0	EC000458
ETIM 7.0	EC000458
ECCN	NO DATA
PU (SPU)	500 pcs
Packaging type	box
Country of origin	DE
GTIN	4044918507394
Customs tariff number	85366990990

Environmental Product Compliance

RoHS Compliance Status	Compliant, No Exemption
------------------------	-------------------------

Approvals / Certificates

General approvals

Logo	Approval	Additional Approval Text	Certificate name
	CSA DEKRA Certification B.V.	C22.2	70048855
	UL UL International Germany GmbH	UL 1977	E45171
	UR Underwriters Laboratories Inc.	UL 1059	E45172
	VDE	EN 61984	40029569

Subject to changes. Please also observe the further product documentation!

WAGO GmbH & Co. KG
 Hansastr. 27
 32423 Minden
 Phone: +49571 887-0 | Fax: +49571 887-169
 Email: info.de@wago.com | Web: www.wago.com

Do you have any questions about our products?
 We are always happy to take your call at +49 (571) 887-44222.



VDE Prüf- und Zertifizierungsinstitut

Downloads

Documentation

Additional Information

Technical Section	2019 Apr 3	pdf	Download
Technical explanations		2.1 MB	

CAD/CAE-Data

CAE data

EPLAN Data Portal 277-124	URL	Download
WSCAD Universe 277-124	URL	Download

Environmental Product Compliance

Compliance Search

Environmental Product Compliance 277-124	URL	Download
Male connector; 4-pole; 1,00 mm ² ; white/gray		

Installation Notes

Subject to changes. Please also observe the further product documentation!