



Passive Components > Resistors > Through-Hole Resistors



Resistor Type: **General Purpose Resistor**

Passive Component Dimensions: **32 x 8.5 mm**

Number of Terminations: **2**

Packaging Method: **Box**

Passive Component Tolerance: **5 %**

Features

Product Type Features

Resistor Type	General Purpose Resistor
Element Type	Metal Oxide Film

Configuration Features

Number of Resistors	1
---------------------	---

Electrical Characteristics

Operating Voltage	750 V
Passive Component Tolerance	5 %
Resistance Class	1k Ω – 1M Ω
Resistance Value	62K Ω
Power Rating	7 W

Body Features

Lead Type	Axial-Leaded
-----------	--------------

Termination Features

Termination Material	Copper
----------------------	--------



Number of Terminations	2
Termination Area Base Material	Copper

Dimensions

Passive Component Dimensions	32 x 8.5 mm
------------------------------	-------------

Usage Conditions

Operating Temperature Range	-55 – 155 $^{\circ}\text{C}$
Temperature Coefficient	± 350 ppm/ $^{\circ}\text{C}$

Packaging Features

Packaging Method	Box
------------------	-----

Product Compliance

For compliance documentation, visit the product page on [TE.com](https://www.te.com)>

EU RoHS Directive 2011/65/EU	Compliant
EU ELV Directive 2000/53/EC	Compliant
China RoHS 2 Directive MIIT Order No 32, 2016	No Restricted Materials Above Threshold
EU REACH Regulation (EC) No. 1907/2006	Current ECHA Candidate List: JUNE 2023 (235) Candidate List Declared Against: JUNE 2023 (235) Does not contain REACH SVHC
Halogen Content	Low Halogen - Br, Cl, F, I < 900 ppm per homogenous material. Also BFR/CFR/PVC Free
Solder Process Capability	Wave solder capable to 265 $^{\circ}\text{C}$

Product Compliance Disclaimer

This information is provided based on reasonable inquiry of our suppliers and represents our current actual knowledge based on the information they provided. This information is subject to change. The part numbers that TE has identified as EU RoHS compliant have a maximum concentration of 0.1% by weight in homogenous materials for lead, hexavalent chromium, mercury, PBB, PBDE, DBP, BBP, DEHP, DIBP, and 0.01% for cadmium, or qualify for an exemption to these limits as defined in the Annexes of Directive 2011/65/EU (RoHS2). Finished electrical and electronic equipment products will be CE marked as required by Directive 2011/65/EU. Components may not be CE marked. Additionally, the part numbers that TE has identified as EU ELV compliant have a maximum concentration of 0.1% by weight in homogenous materials for lead, hexavalent chromium, and mercury, and 0.01% for cadmium, or qualify for an exemption to these limits as defined in the Annexes of Directive 2000/53/EC (ELV). Regarding the REACH Regulation, the information TE provides on SVHC in articles for this part number is based on the latest European Chemicals Agency (ECHA) 'Guidance on requirements for substances in articles' posted at this URL: <https://echa.europa.eu/guidance-documents/guidance-on-reach>

Compatible Parts




TE Part # 2-1625892-1
3W SM M/OX 5% 1K0



TE Part # 4-1625886-1
1W SM M/OX 5% 820K



TE Part # 6-1676123-7
1/2W SM M/OX 5% 470R



TE Part # 1625881-2
1W STD M/OX 2% 220R



TE Part # 1625893-5
5W SM M/OX 5% 47K

Also in the Series | **Neohm ROX**



Through-Hole Resistors(798)

Customers Also Bought



TE Part #2-1625867-1
RP 1J 0.166W 10R 0.1% 25PPM 1K RL



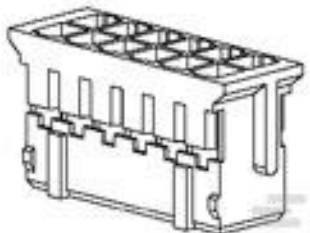
TE Part #2108857-4
PCB Ant, MHF, 200mm, Wi-Fi 6E TripleBand




TE Part #2842162-5
10P,2MM,BRK HDR,DRRT,2.8,0.1AU, BOX



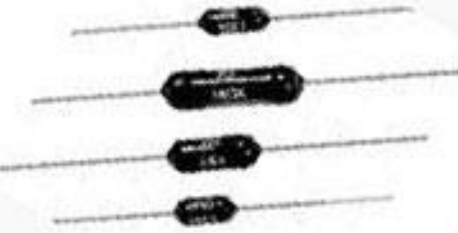
TE Part #9-2176412-9
5W XSM M/OX 5% 62K



TE Part #1-1470107-0
2.0MM PITCH CRIMP HOUSING 10P



TE Part #1-1879622-5
H4P 510K 1% 50PPM



TE Part #7-1879621-2
H4P 9K1 1% 50PPM



TE Part #6-2176528-5
3503G 2B 27K4 1% 5K RL



Documents

Product Drawings

[7W STD M/OX 5% 62K](#)

English

CAD Files

[3D PDF](#)

3D

Customer View Model

[ENG_CVM_CVM_8-2176414-5_BA.2d_dxf.zip](#)

English

Customer View Model

[ENG_CVM_CVM_8-2176414-5_BA.3d_igs.zip](#)

English

Customer View Model

[ENG_CVM_CVM_8-2176414-5_BA.3d_stp.zip](#)

English

By downloading the CAD file I accept and agree to the [Terms and Conditions](#) of use.

Datasheets & Catalog Pages

[Flame Proof Power Metal Oxide Film Resistors - Type ROX Series - Tyco Electronics Passives](#)

English