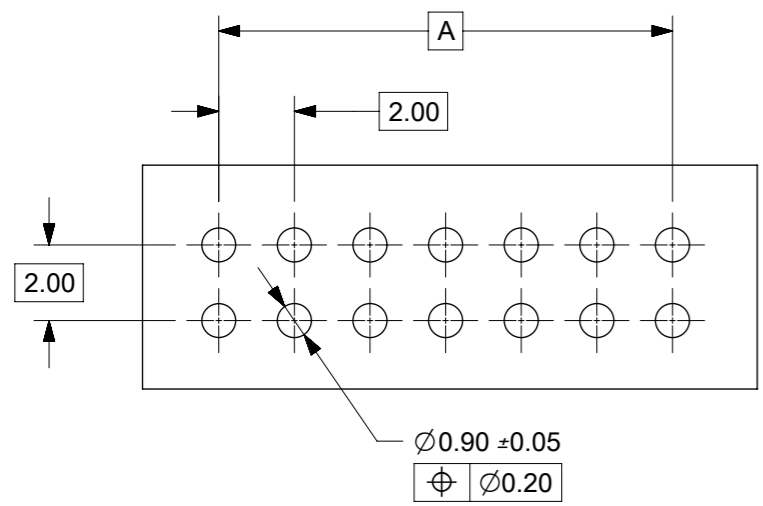
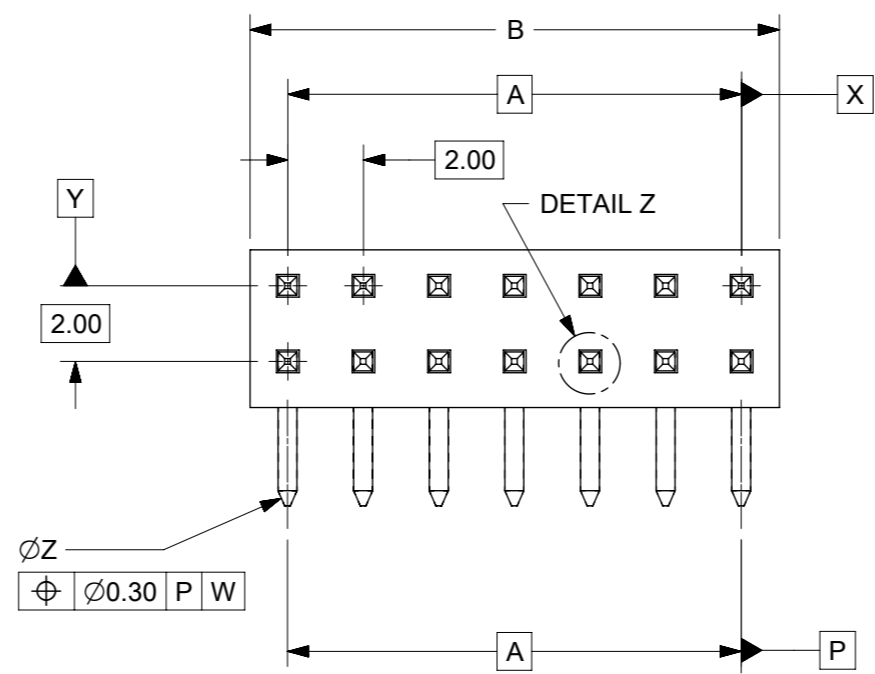
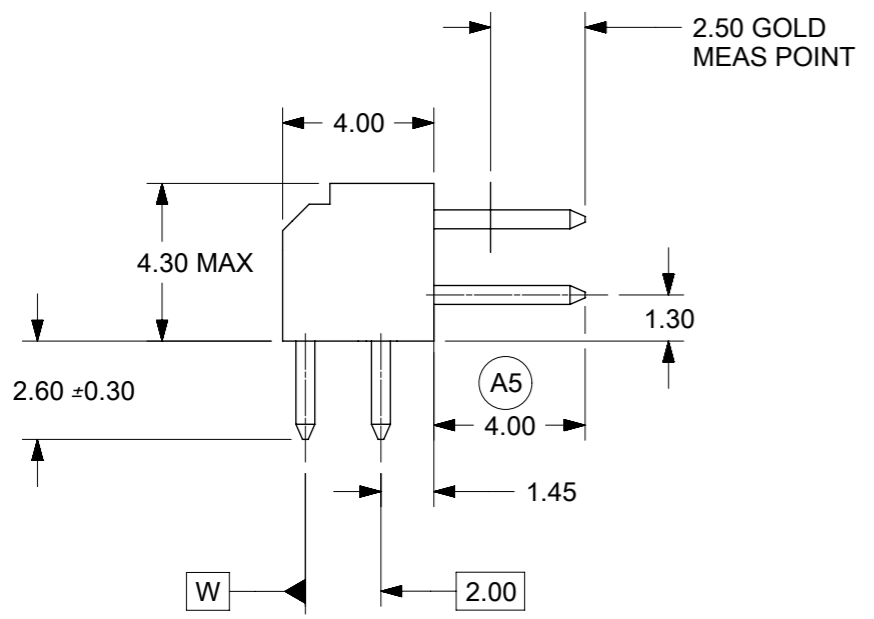


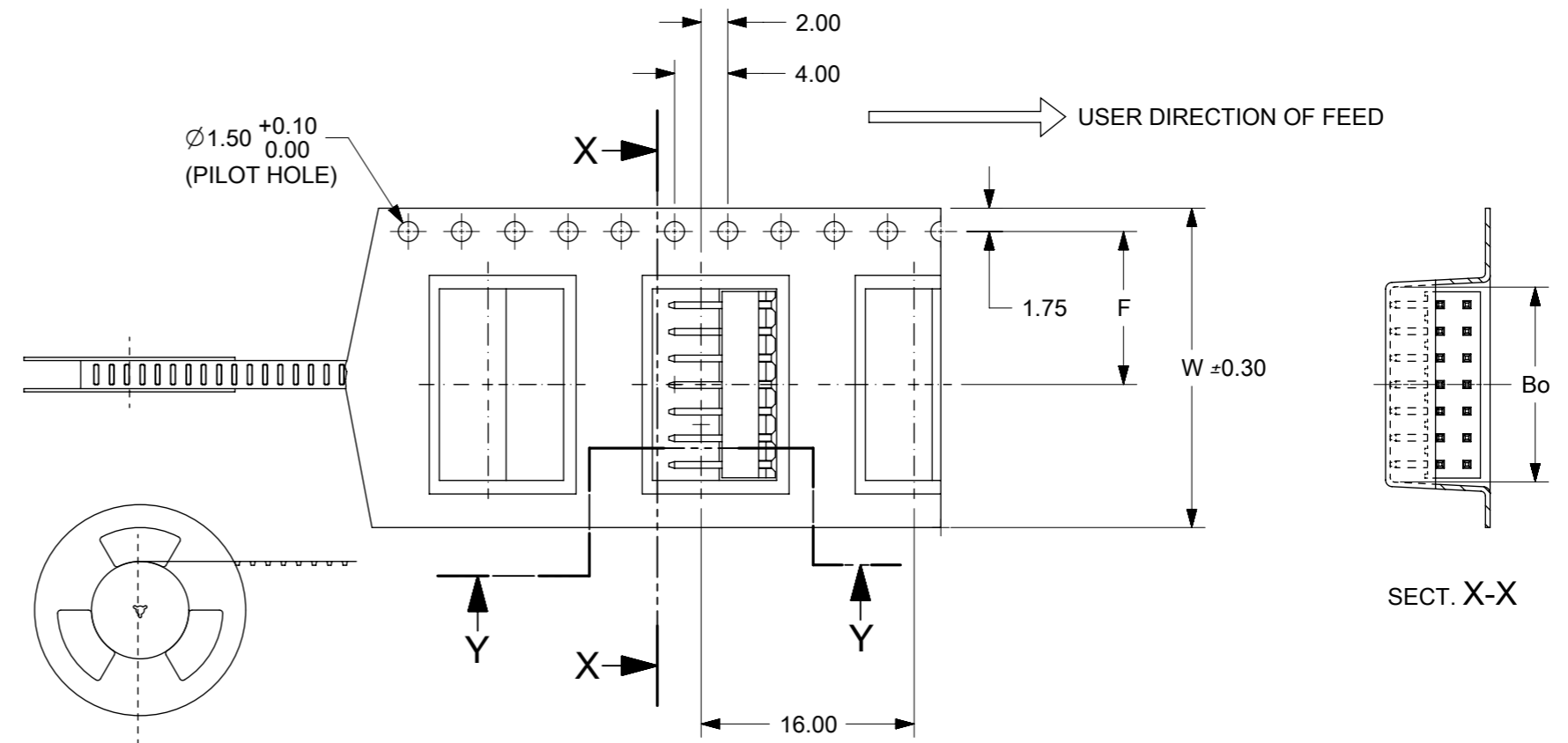
- NOTES:**
1. MATERIAL:
HSG: PCT, GLASS FILLED, UL 94V-0,
COLOUR BLACK.
PIN: 0.50MM SQ PHOSPHOR BRONZE 510
 2. PLATING:
0.38µm MIN GOLD IN CONTACT AREA,
TIN IN SOLDER TAIL AREA, BOTH OVER
NICKEL OVERALL
 3. 14 CKT USED FOR ILLUSTRATION ONLY
 4. PART TO BE PACKED IN TAPE & REEL (SEE SHT 2).
 5. PRODUCT SPEC PS-87761-100 APPLIES.
 6. RECOMMENDED PCB BOARD THK 1.60±0.10 MM.



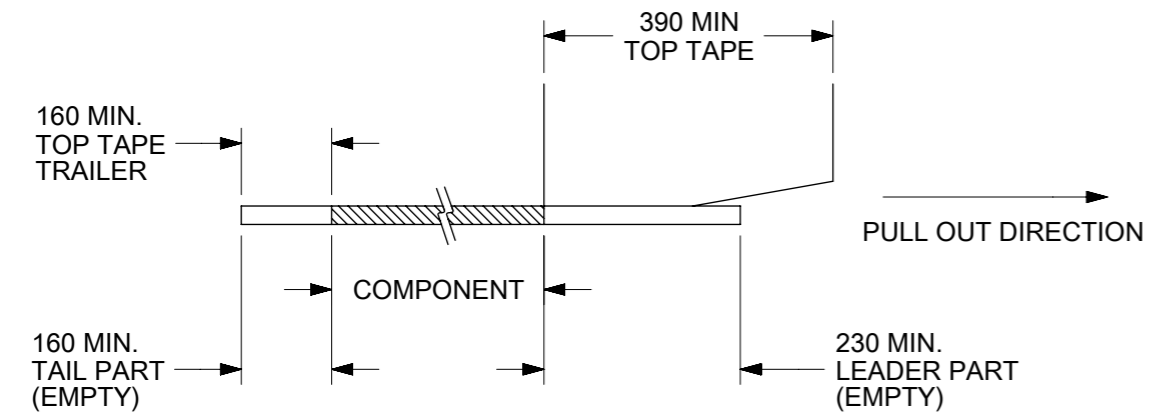
RECOMMENDED PCB LAYOUT

THIS DRAWING CONTAINS INFORMATION THAT IS PROPRIETARY TO MOLEX ELECTRONIC TECHNOLOGIES, LLC AND SHOULD NOT BE USED WITHOUT WRITTEN PERMISSION													
DIMENSION UNITS		SCALE		CURRENT REV DESC: ADD PIN LENGTH DIM.									
mm		NTS											
GENERAL TOLERANCES (UNLESS SPECIFIED)				EC NO: 603144				SALES DRAWING					
				DRWN: SCS02 2018/08/20									
				CHK'D: ISHWARG 2018/08/21				MGRID, 2MM DUAL ROW HDR. IN TAPE & REEL, R/A					
				APPR: ISHWARG 2018/08/21									
				INITIAL REVISION:				PRODUCT CUSTOMER DRAWING					
4 PLACES ±				DRWN: KSEE 2003/10/17				DOCUMENT NUMBER		DOC TYPE		DOC PART	
3 PLACES ±				APPR: SKTOH 2003/12/11				SD-87760-147		PSD		001	
2 PLACES ± 0.2												REVISION	
1 PLACE ±												A5	
0 PLACES ±													
ANGULAR TOL ± 1.0°													
DRAFT WHERE APPLICABLE MUST REMAIN WITHIN DIMENSIONS				THIRD ANGLE PROJECTION		DRAWING		SERIES		MATERIAL NUMBER		CUSTOMER	
						A3-SIZE		87760		SEE TABLE		GENERAL MARKET	
												SHEET NUMBER	
												1 OF 2	

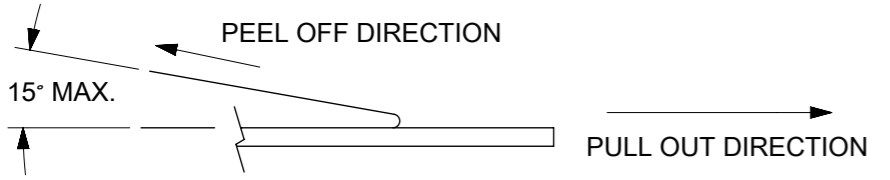
PART NUMBER (IN TAPE/REEL)	PART NUMBER (IN TRAY)	CKT SIZE	A	B	Bo	F	So	W
87760-8010	87760-1416	14	12.00	14.00	14.40	11.50	-	24.00
87760-8112	87760-1216	12	10.00	12.00	12.40	11.50	-	24.00
87760-8015	87760-2216	22	20.00	22.00	22.35	20.20	-	44.00
87760-8016	87760-0616	06	4.00	6.00	6.10	7.50	-	16.00



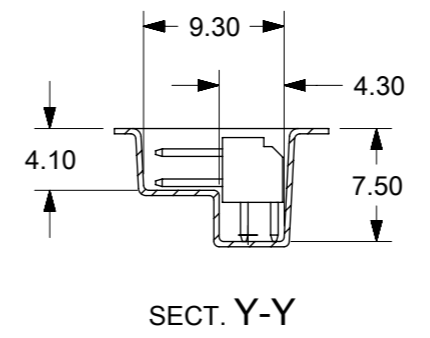
NOTES:
1. LEADER AND TRAILER TAPE



2. PEELING OFF FORCE OF THE TOP TAPE: 20-80gf.
(PEELING DIRECTION AS SHOWN IN FOLLOWING FIGURE)



3. PACKAGING STANDARD IS AS PER EIA-481.
4. TAPE & REEL QUANTITY = 500 PCS/REEL



THIS DRAWING CONTAINS INFORMATION THAT IS PROPRIETARY TO MOLEX ELECTRONIC TECHNOLOGIES, LLC AND SHOULD NOT BE USED WITHOUT WRITTEN PERMISSION											
DIMENSION UNITS		SCALE		CURRENT REV DESC: ADD PIN LENGTH DIM.						molex	
mm		NTS									
GENERAL TOLERANCES (UNLESS SPECIFIED)											
		MM		INCH		EC NO: 603144		SALES DRAWING		MGRID, 2MM DUAL ROW HDR. IN TAPE & REEL, R/A	
4 PLACES		±		±		DRWN: KSEE 2018/08/20		MGRID, 2MM DUAL ROW HDR. IN TAPE & REEL, R/A			
3 PLACES		±		±		CHK'D: ISHWARG 2018/08/21					
2 PLACES		± 0.2		±		APPR: ISHWARG 2018/08/21		PRODUCT CUSTOMER DRAWING			
1 PLACE		±		±		INITIAL REVISION:		DOCUMENT NUMBER		DOC TYPE	
0 PLACES		±		±		DRWN: KSEE 2003/10/17		SD-87760-147		PSD	
ANGULAR TOL		± 1.0°		±		APPR: SKTOH 2003/12/11		001		A5	
DRAFT WHERE APPLICABLE MUST REMAIN WITHIN DIMENSIONS				THIRD ANGLE PROJECTION		DRAWING		SERIES		SHEET NUMBER	
				A3-SIZE		87760		SEE TABLE		2 OF 2	