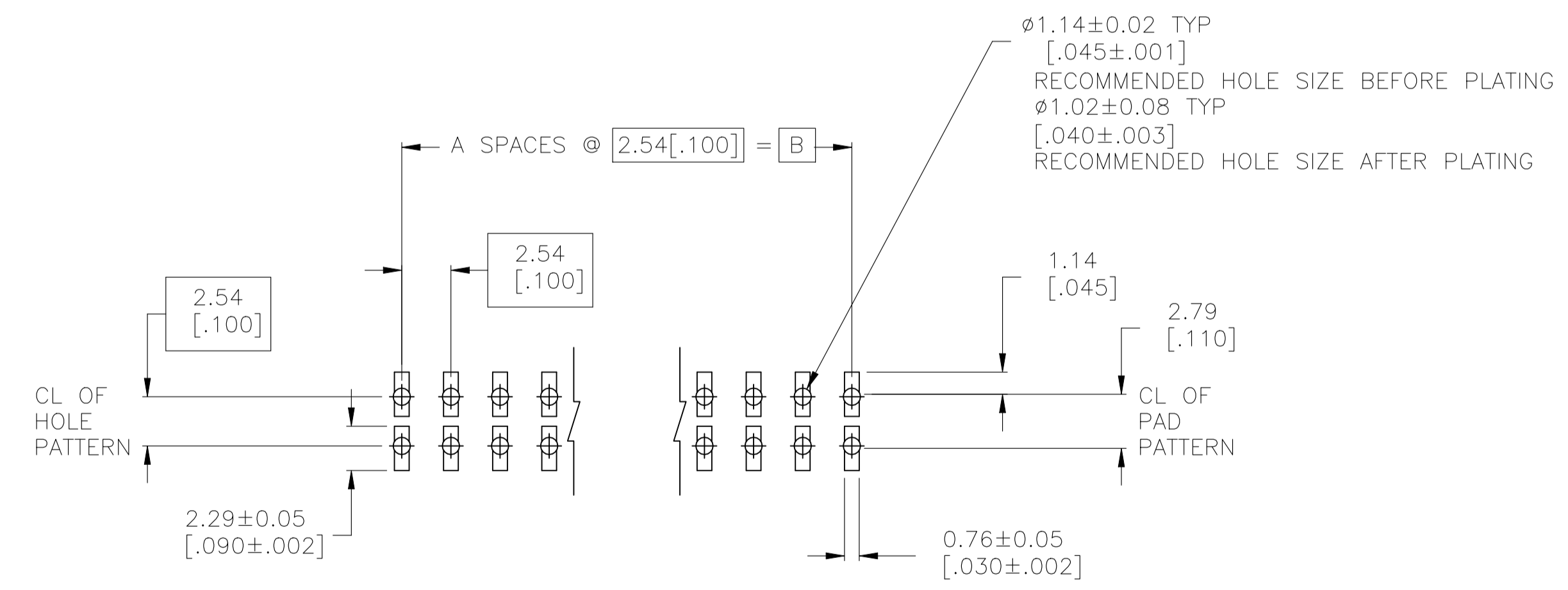
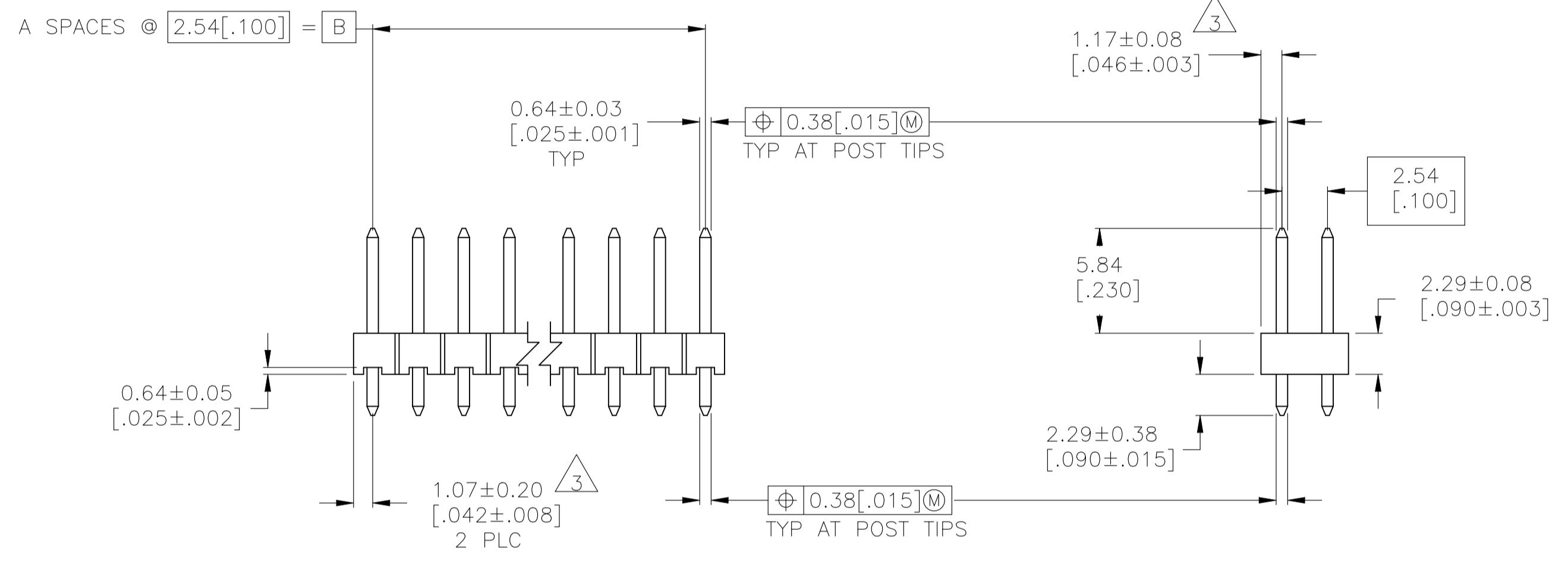
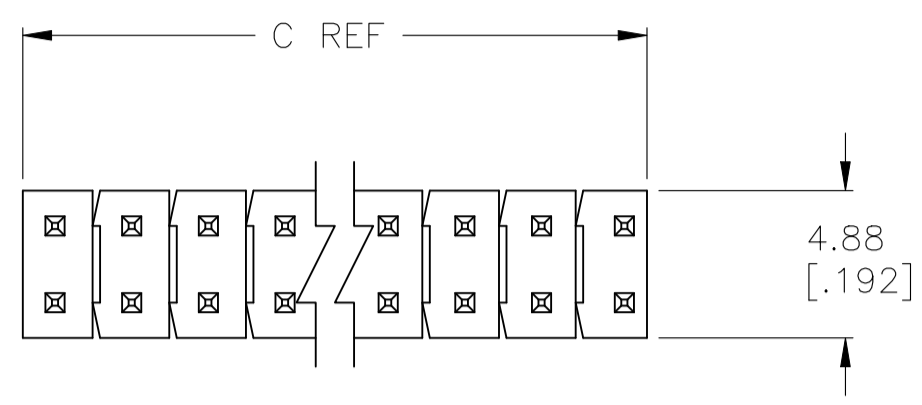


REVISIONS					
REV	DATE	BY	CHK	APPD	DESCRIPTION
J2	18NOV2022	RK	MF		REVISED PER ECN-22-185269

- ASSEMBLY MAY BE BROKEN TO THE DESIRED NUMBER OF POSITIONS
- TRUE POSITION TOLERANCE OF THE POST TIPS APPLIES WHEN THE HEADER IS HELD FLAT AGAINST THE PRINTED CIRCUIT BOARD
- THE NOTED DIMENSIONS APPLY AT THE INTERSECTION OF THE POST AND HOUSING
- POST PLATING: 0.00254-0.00508[.000100-.000200] MATTE TIN-LEAD OVER 0.00127[.000050] NICKEL ENTIRE POST.
- HOUSING: LCP, COLOR-BLACK.
- POST: COPPER ALLOY.
- POST PLATING: 0.00254-0.00508[.000100-.000200] MATTE TIN OVER 0.00127[.000050] NICKEL ENTIRE POST.
- OBsolete PARTS: OBsolete CIS STREAMLINING PER D.RENAUD/D.SINISI
- OBsolete



RECOMMENDED PC BOARD MOUNTING DIMENSIONS FOR .063 [1.60] THICK PC BOARD AND .012 [.305] STENCIL THICK.

PLATING	C	B	A	NO. OF POSITIONS	PART NUMBER
7	101.19 [3.984]	99.06 [3.900]	39	80	9-146258-0
7	98.65 [3.884]	96.52 [3.800]	38	78	8-146258-9
7	96.11 [3.784]	93.98 [3.700]	37	76	8-146258-8
7	93.57 [3.684]	91.44 [3.600]	36	74	8-146258-7
7	91.03 [3.584]	88.90 [3.500]	35	72	8-146258-6
7	88.49 [3.484]	86.36 [3.400]	34	70	8-146258-5
7	85.95 [3.384]	83.82 [3.300]	33	68	8-146258-4
7	83.41 [3.284]	81.28 [3.200]	32	66	8-146258-3
7	80.87 [3.184]	78.74 [3.100]	31	64	8-146258-2
7	78.33 [3.084]	76.20 [3.000]	30	62	8-146258-1
7	75.79 [2.984]	73.66 [2.900]	29	60	8-146258-0
7	73.25 [2.884]	71.12 [2.800]	28	58	7-146258-9
7	70.71 [2.784]	68.58 [2.700]	27	56	7-146258-8
7	68.17 [2.684]	66.04 [2.600]	26	54	7-146258-7
7	65.63 [2.584]	63.5 [2.500]	25	52	7-146258-6
7	63.09 [2.484]	60.96 [2.400]	24	50	7-146258-5
7	60.55 [2.384]	58.42 [2.300]	23	48	7-146258-4
7	58.01 [2.284]	55.88 [2.200]	22	46	7-146258-3
7	55.47 [2.184]	53.34 [2.100]	21	44	7-146258-2
7	52.93 [2.084]	50.80 [2.000]	20	42	7-146258-1
7	50.39 [1.984]	48.26 [1.900]	19	40	7-146258-0
7	47.85 [1.884]	45.72 [1.800]	18	38	6-146258-9
7	45.31 [1.784]	43.18 [1.700]	17	36	6-146258-8
7	42.77 [1.684]	40.64 [1.600]	16	34	6-146258-7
7	40.23 [1.584]	38.10 [1.500]	15	32	6-146258-6
7	37.69 [1.484]	35.56 [1.400]	14	30	6-146258-5
7	35.15 [1.384]	33.02 [1.300]	13	28	6-146258-4
7	32.61 [1.284]	30.48 [1.200]	12	26	6-146258-3
7	30.07 [1.184]	27.94 [1.100]	11	24	6-146258-2
7	27.53 [1.084]	25.40 [1.000]	10	22	6-146258-1
7	24.99 [.984]	22.86 [.900]	9	20	6-146258-0
7	22.45 [.884]	20.32 [.800]	8	18	5-146258-9
7	19.91 [.784]	17.78 [.700]	7	16	5-146258-8
7	17.37 [.684]	15.24 [.600]	6	14	5-146258-7
7	14.83 [.584]	12.70 [.500]	5	12	5-146258-6
7	12.29 [.484]	10.16 [.400]	4	10	5-146258-5
7	9.75 [.384]	7.62 [.300]	3	8	5-146258-4
7	7.21 [.284]	5.08 [.200]	2	6	5-146258-3
7	4.67 [.184]	2.54 [.100]	1	4	5-146258-2
7	-	-	0	2	5-146258-1

PLATING	C	B	A	NO. OF POSITIONS	PART NUMBER
8	101.19 [3.984]	99.06 [3.900]	39	80	4-146258-0
8	98.65 [3.884]	96.52 [3.800]	38	78	3-146258-9
8	96.11 [3.784]	93.98 [3.700]	37	76	3-146258-8
8	93.57 [3.684]	91.44 [3.600]	36	74	3-146258-7
8	91.03 [3.584]	88.90 [3.500]	35	72	3-146258-6
8	88.49 [3.484]	86.36 [3.400]	34	70	3-146258-5
8	85.95 [3.384]	83.82 [3.300]	33	68	3-146258-4
8	83.41 [3.284]	81.28 [3.200]	32	66	3-146258-3
8	80.87 [3.184]	78.74 [3.100]	31	64	3-146258-2
8	78.33 [3.084]	76.20 [3.000]	30	62	3-146258-1
8	75.79 [2.984]	73.66 [2.900]	29	60	3-146258-0
8	73.25 [2.884]	71.12 [2.800]	28	58	2-146258-9
8	70.71 [2.784]	68.58 [2.700]	27	56	2-146258-8
8	68.17 [2.684]	66.04 [2.600]	26	54	2-146258-7
8	65.63 [2.584]	63.5 [2.500]	25	52	2-146258-6
8	63.09 [2.484]	60.96 [2.400]	24	50	2-146258-5
8	60.55 [2.384]	58.42 [2.300]	23	48	2-146258-4
8	58.01 [2.284]	55.88 [2.200]	22	46	2-146258-3
8	55.47 [2.184]	53.34 [2.100]	21	44	2-146258-2
8	52.93 [2.084]	50.80 [2.000]	20	42	2-146258-1
8	50.39 [1.984]	48.26 [1.900]	19	40	2-146258-0
8	47.85 [1.884]	45.72 [1.800]	18	38	1-146258-9
8	45.31 [1.784]	43.18 [1.700]	17	36	1-146258-8
8	42.77 [1.684]	40.64 [1.600]	16	34	1-146258-7
8	40.23 [1.584]	38.10 [1.500]	15	32	1-146258-6
8	37.69 [1.484]	35.56 [1.400]	14	30	1-146258-5
8	35.15 [1.384]	33.02 [1.300]	13	28	1-146258-4
8	32.61 [1.284]	30.48 [1.200]	12	26	1-146258-3
8	30.07 [1.184]	27.94 [1.100]	11	24	1-146258-2
8	27.53 [1.084]	25.40 [1.000]	10	22	1-146258-1
8	24.99 [.984]	22.86 [.900]	9	20	1-146258-0
8	22.45 [.884]	20.32 [.800]	8	18	1-146258-9
8	19.91 [.784]	17.78 [.700]	7	16	1-146258-8
8	17.37 [.684]	15.24 [.600]	6	14	1-146258-7
8	14.83 [.584]	12.70 [.500]	5	12	1-146258-6
8	12.29 [.484]	10.16 [.400]	4	10	1-146258-5
8	9.75 [.384]	7.62 [.300]	3	8	1-146258-4
8	7.21 [.284]	5.08 [.200]	2	6	1-146258-3
8	4.67 [.184]	2.54 [.100]	1	4	1-146258-2
8	-	-	0	2	1-146258-1

THIS DRAWING IS A CONTROLLED DOCUMENT.

APPROVED	J. GESFORD	19JAN05	NAME	TE Connectivity
DESIGNED	J. GESFORD	19JAN05	PRODUCT SPEC	HEADER ASSEMBLY, MOD II, BREAKAWAY, DOUBLE ROW, HIGH TEMPERATURE
DATE	19JAN05	SIZE	CAGE CODE	DRAWING NO
SCALE	4:1	REV	1	1

RECOMMENDED HOLE SIZE BEFORE PLATING 0.102±0.08 TYP [0.040±.003] RECOMMENDED HOLE SIZE AFTER PLATING

RECOMMENDED PC BOARD MOUNTING DIMENSIONS FOR .063 [1.60] THICK PC BOARD AND .012 [.305] STENCIL THICK.

REVISIONS

REV	DATE	BY	CHK	APPD	DESCRIPTION
J2	18NOV2022	RK	MF		REVISED PER ECN-22-185269

TE Connectivity

APPROVED: J. GESFORD, 19JAN05

DESIGNED: J. GESFORD, 19JAN05

DATE: 19JAN05

SCALE: 4:1

REV: 1

SHEET: 1 OF 1

CUSTOMER DRAWING

SIZE: A1

CAGE CODE: 00779

DRAWING NO: 146258

RESTRICTED TO: -