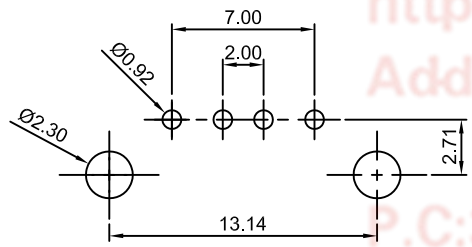
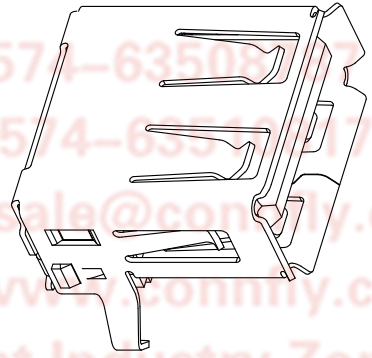
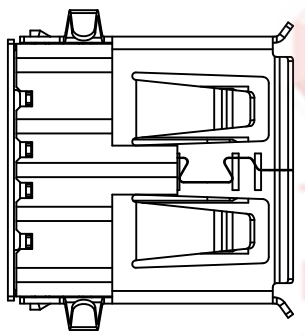
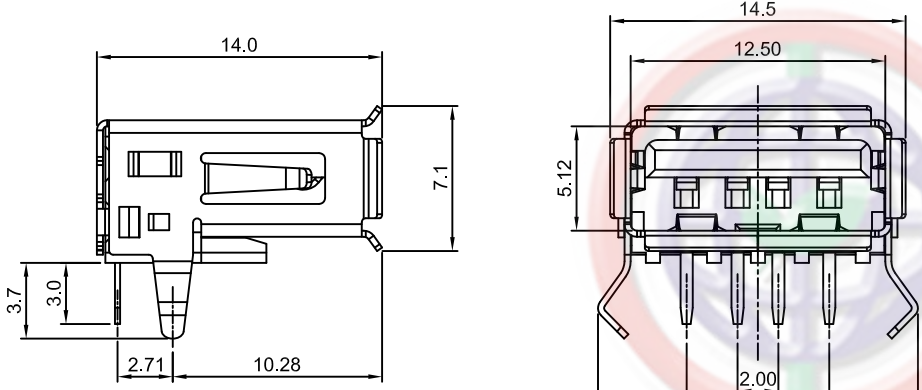


The information provided herein is from CONNELY Electronic Co., Ltd. and is confidential. Any disclosure to a party other than the recipient is prohibited. The intellectual properties and its rights contained herein, including but not limited to, trademarks, patents, copyrights, trade secrets, and technical know-how, are owned exclusively by CONNELY or its affiliates. Unauthorized use of this information in any format or manner. CONNELY may enforce its intellectual property rights at its own discretion; failures or delays to exercise such rights does not constitute a waiver of such rights.

1 2 3 4 5 6 7 8

REV.	DESCRIPTION	DRAWN	CHECKED	APPROVED
A	NEW RELEASE	LL 11/13/06'		LJC 11/13/06'
B	DRAWING UPDATE	JLZ 08/26/19'		



RECOMMEND PCB LAYOUT
(TOLERANCE=±0.05)

Notes:

Specifications:

- Contact Resistance: 30mΩ Max.
- Insulation Resistance: 1000MΩ Min.
- Dielectric Withstanding Voltage: 750V AC(rms) For 1 Minute.
- Current Rating:1.5A Max
- Voltage Rating:30V Max
- Temperature: -40°C~+85°C.

Materials:

- Contact Material: Copper Alloy.
- Shell Material: Copper Alloy or Steel.
- Insulator Material: Thermoplastic,Black or White.

Mechanical Characteristics:

- Mating Force:3.57Kgf Maximum.
- Unmating Force:1.02Kgf Minimum.
- Durability:1500 Cycles

Product Number Code:

DS1095 - X X X X - X

- Shell material
Fe: Steel
N/A Code: Copper alloy
- Contact plating
0: Selective gold flash
03: Selective gold 3u"
30: Selective gold 30u"
- Mounting type
R: R/A
- Shell plating
N: Nickel
6: Tin
- Color of housing
W: White
B: Black

Tel:86-574-6350877
 Fax:86-574-6351277
 E-mail:sale@connely.com
 http://www.connely.com
 Add:East Industry Zone KuangYan
 Town Cixi Ningbo China
 P.C:315333

GENERAL TOLERANCE		ANGLE TOLERANCE	
X.	±0.60	X.	±5°
.X	±0.38	.X	±3°
.XX	±0.25	.XX	±2°

DRAWING TYPE	CUSTOMER		
SCALE	1:1	SHEET	1 OF 1
DRAWING NO.	C-DS1095-XXRX-B		

PROJECTION	TITLE
	USB A TYPE Single port Female TYPE
UNITS	mm
SHEET SIZE	A4
SERIES	DS1095 SERIES

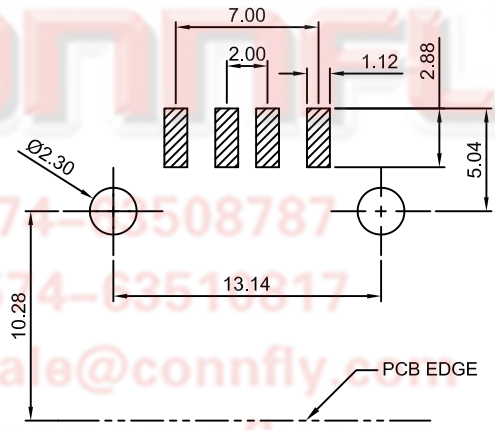
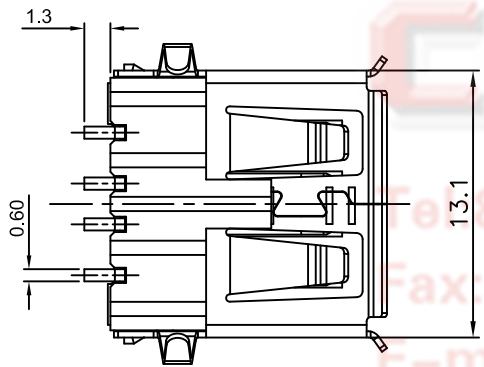
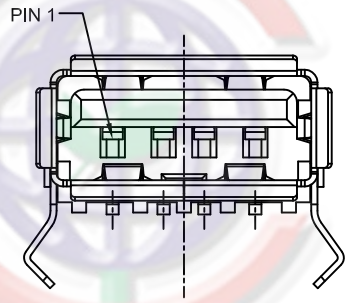
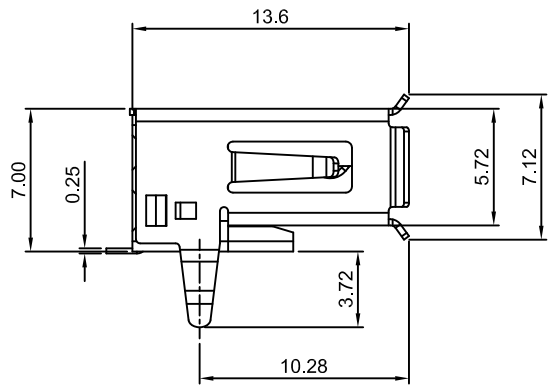
晨翔电子有限公司
CONNFLY CONNELY ELECTRONIC CO. LTD

1 2 3 4 5 6 7 8

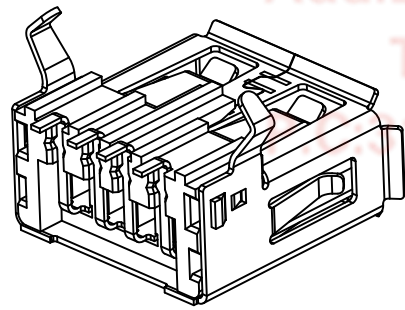
The information provided herein is from CONNELY Electronic Co., Ltd. and is confidential. Any disclosure to a party other than the recipient is prohibited. The intellectual properties and its rights contained herein, including but not limited to, trademarks, patents, copyrights, trade secrets, and technical know-how, are owned exclusively by CONNELY or its affiliates. Unauthorized use of this information in any format or manner. CONNELY may enforce its intellectual property rights at its own discretion; failures or delays to exercise such rights does not constitute a waiver of such rights.

1 2 3 4 5 6 7 8

REV.	DESCRIPTION	DRAWN	CHECKED	APPROVED
A	NEW RELEASE	LL 11/13/06'		LJC 11/13/06'
B	DRAWING UPDATE	JLZ 08/26/19'		



RECOMMEND PCB LAYOUT
(TOLERANCE=±0.05)



- Notes:
Specifications:
- Contact Resistance: 30mΩ Max.
 - Insulation Resistance: 1000MΩ Min.
 - Dielectric Withstanding Voltage: 750V AC(rms) For 1 Minute.
 - Current Rating: 1.5A Max
 - Voltage Rating: 30V Max
 - Temperature: -40°C~+85°C.
- Materials:
- Contact Material: Copper Alloy.
 - Shell Material: Copper Alloy or Steel.
 - Insulator Material: High temp, UL94-V0.
- Mechanical Characteristics:
- Mating Force: 3.57Kgf Maximum.
 - Unmating Force: 1.02Kgf Minimum.
 - Durability: 1500 Cycles
- Product Number Code:

DS1095 - X X X X - X

- Shell material
- Fe: Steel
- N/A Code: Copper alloy
- Contact plating
- 0: Selective gold flash
- 03: Selective gold 3u"
- 30: Selective gold 30u"
- Mounting type
- M: SMT
- Shell plating
- N: Nickel
- 6: Tin
- Color of housing
- W: White
- B: Black

GENERAL TOLERANCE		ANGLE TOLERANCE	
X.	±0.60	X.	±5°
.X	±0.38	.X	±3°
.XX	±0.25	.XX	±2°

DRAWING TYPE	CUSTOMER		
SCALE	1:1	SHEET	1 OF 1
DRAWING NO.	C-DS1095-XXMX-B		

PROJECTION		TITLE	USB Female A Type SMT series	
UNITS	mm	SHEET	A4	
SHEET SIZE	A4	SERIES	DS1095 SERIES	

晨翔电子有限公司
CONNFLY CONNELY ELECTRONIC CO. LTD

1 2 3 4 5 6 7 8