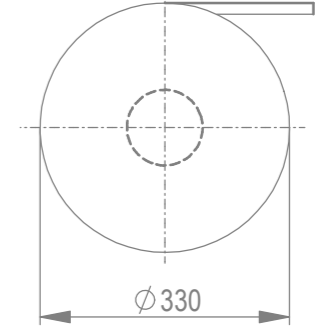
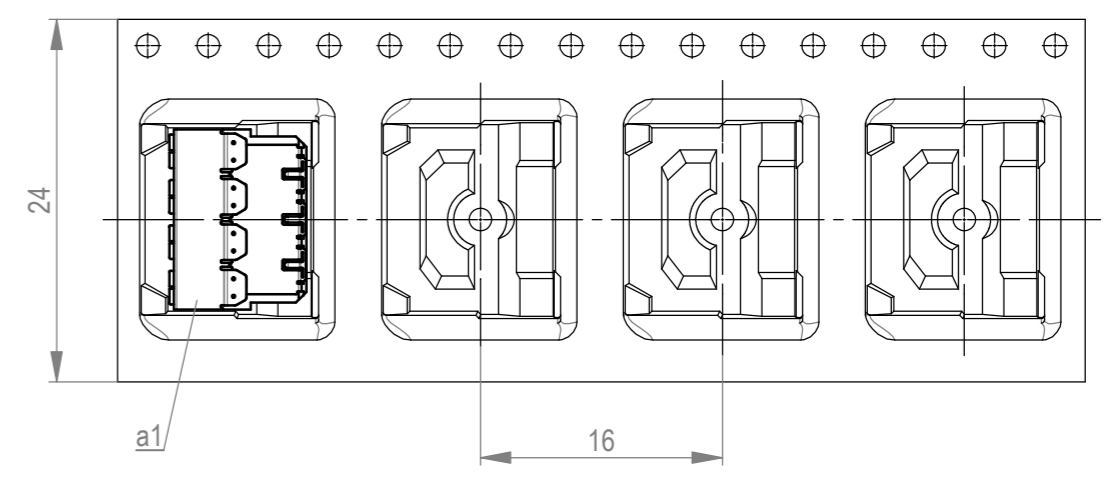


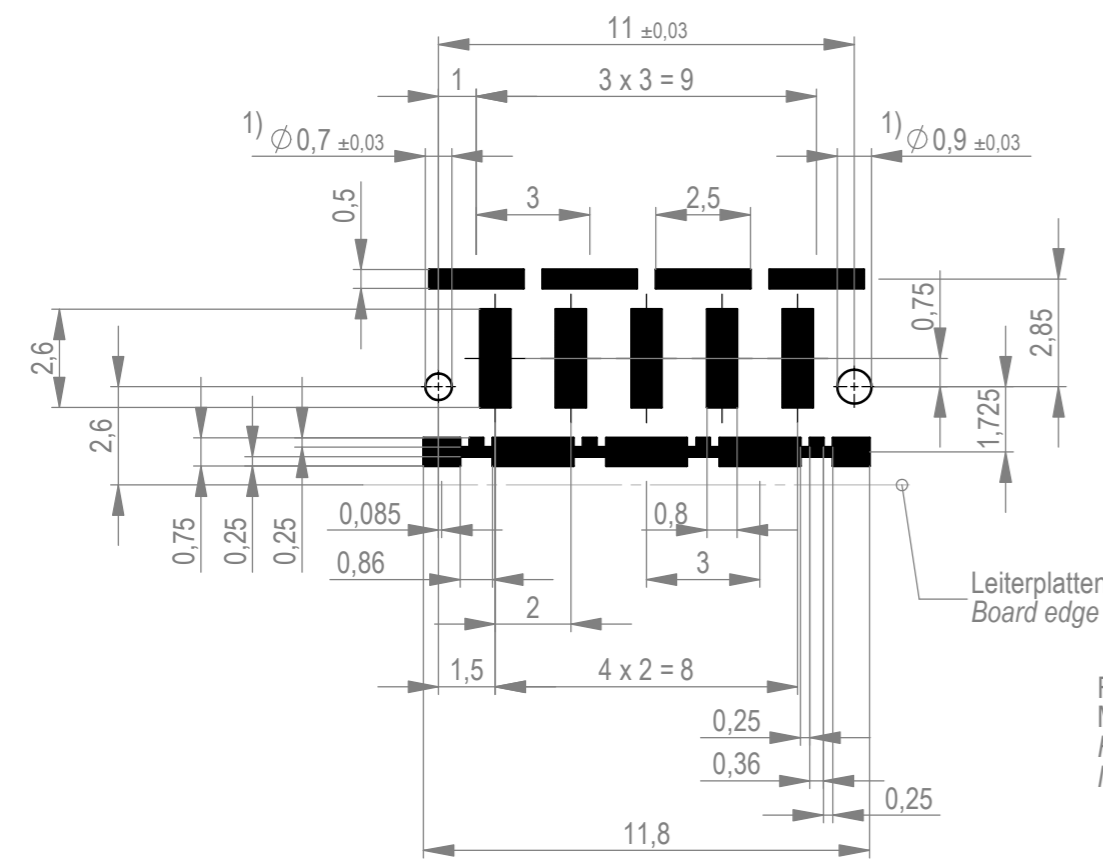
Verpackt im Gurt in Anlehnung an DIN IEC 60286-3
 tape on reel packaging according to DIN IEC 60286-3
 Verpackungseinheit: 500 Stück
 packaging unit: 500 pcs



Abspulrichtung - reel off direction



Leiterplatten-Layout Vorschlag
 PCB-layout proposal



1) Durchmesser des Bohrers
 Drill tool

Für weitere Layout Details bitte
 MicroSpeed Applikations Schrift beachten.
 For further layout details please consider
 MicroSpeed application note.

Anforderungsstufe 1
 performance level 1

Kontaktbereich vergoldet
 mating area gold plating

Anschlussbereich verzinkt 4-6 µm
 terminal area 4-6 µm tin plating

Koplanarität der Anschlüsse ≤ 0,1 mm
 coplanarity area of termination ≤ 0,1 mm

Dimension no.	Tolerances		Scale	5:1
	ISO 8015	All Dimensions in mm	Material	
Customer drawing:	Subject to modification without prior notice. Drawing will not be updated.		MSpeed Federl. 90° PM SMD MSpeed female 90° PM SMD	
This Drawing is a controlled Document.			C-364709-E	
d1	18.05.2023			C
Index	Date		Class	A2
			MSPPM	

Die deutsche Version dieser Zeichnung dient nur zur Einreichung bei der
 englischen Originalversion. Bei Abweichungen von dem englischen Original gilt das
 englische Original. In case of any deviation from the original drawing the English version shall prevail.
 The German version of this drawing has been created for convenience only
 and may deviate from the original drawing. In case of any deviation from the original
 drawing the English version shall prevail.
 The English version of this drawing has been created for convenience only
 and may deviate from the original drawing. In case of any deviation from the original
 drawing the English version shall prevail.